



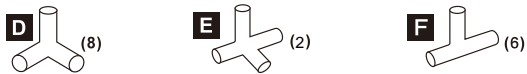
Grow Tent Assembly Instructions

For Tent Size: 200x200x200-230cm

COMPONENTS

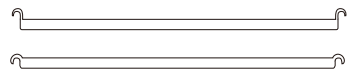
(A) Tent, (B) Floor Tray,

(D-F) Corner Adapter, (1-5) Framework Support

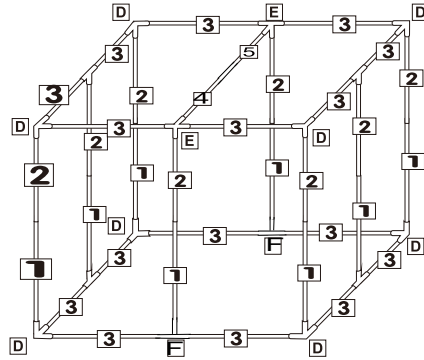


- 1 8 pcs
- 2 8 pcs
- 3 16 pcs
- 4 1 pcs
- 5 1 pcs

Reinforced tube between 4 and 5.

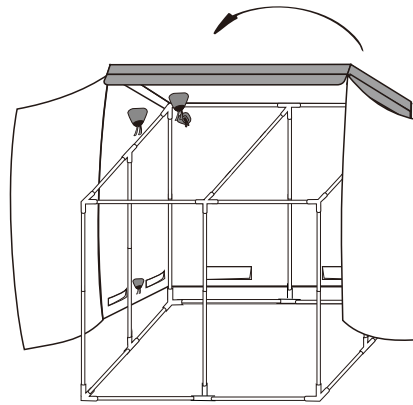


STEP 1



Assemble tent frame as above show .

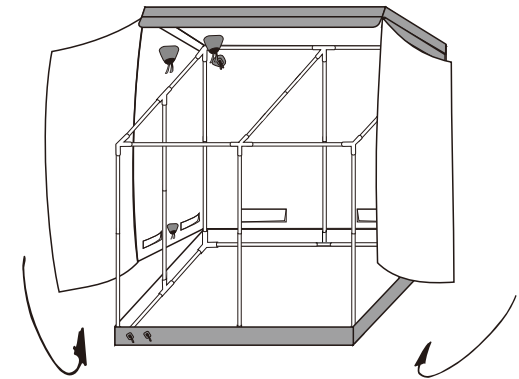
STEP 2



Unzip all zippers of the tent cover all the way.

First pull up the top of tent shell on the frame make sure all corners are squarely in place. Having a helper makes this process easier.

STEP 3



Then pull the bottom of tent shell to cover the base of tent frame properly.

Put all hanging bars on the top of frame.

