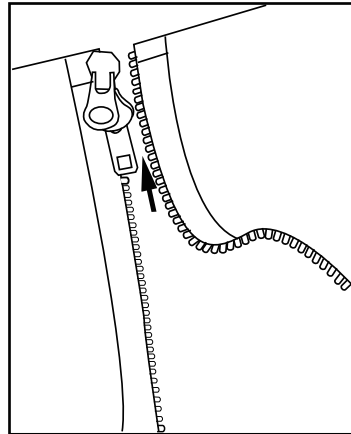
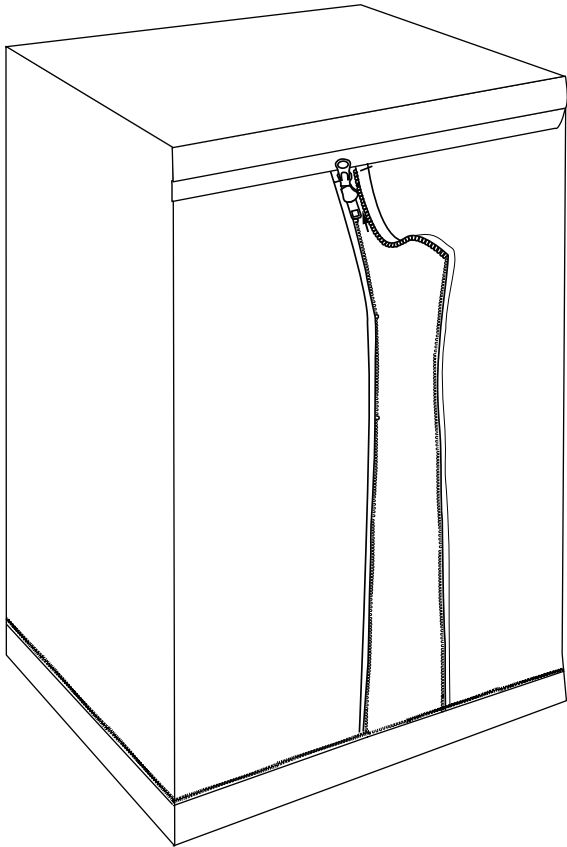
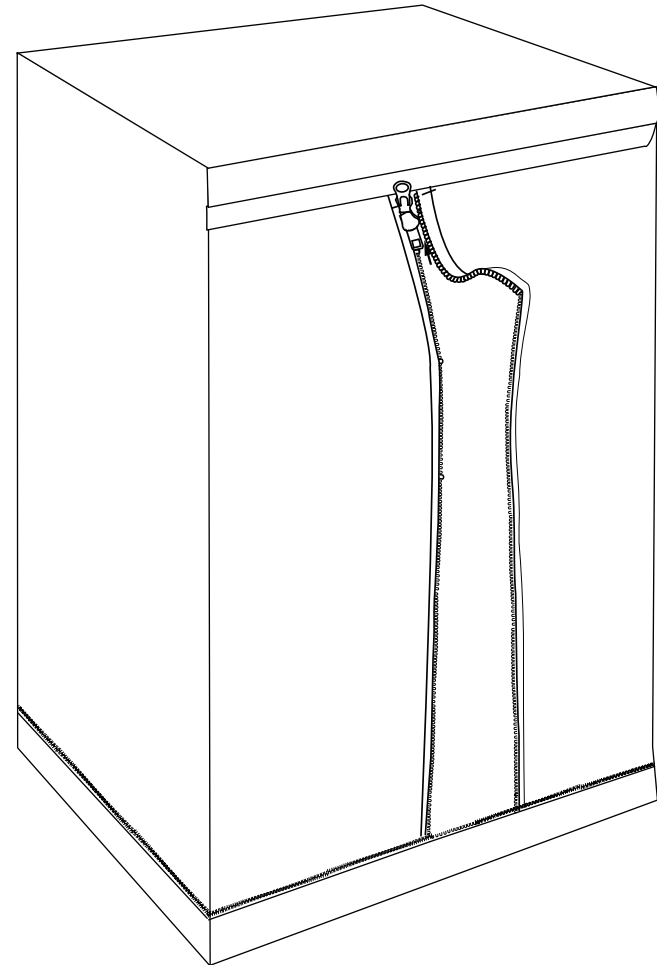


# Step 11

Close all zippers. All parts have been assembled.



Grow tent ASSEMBLY INSTRUCTIONS  
JR - 120120200



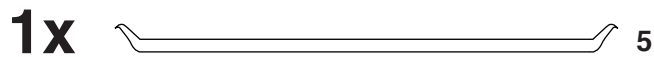
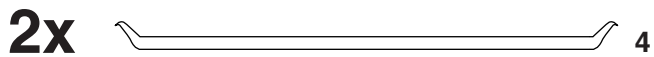
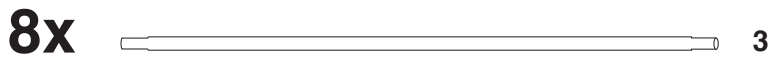
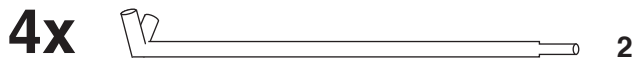
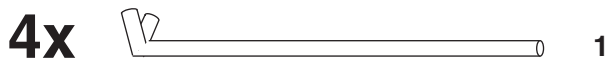
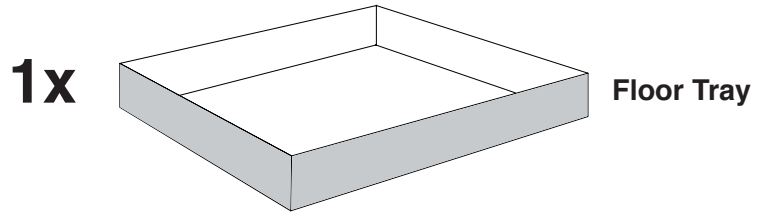
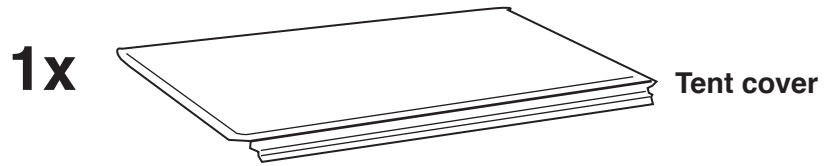
TENT SIZE: Length: 120cm - Width:120cm - Height: 200cm





No tools required

## Parts list

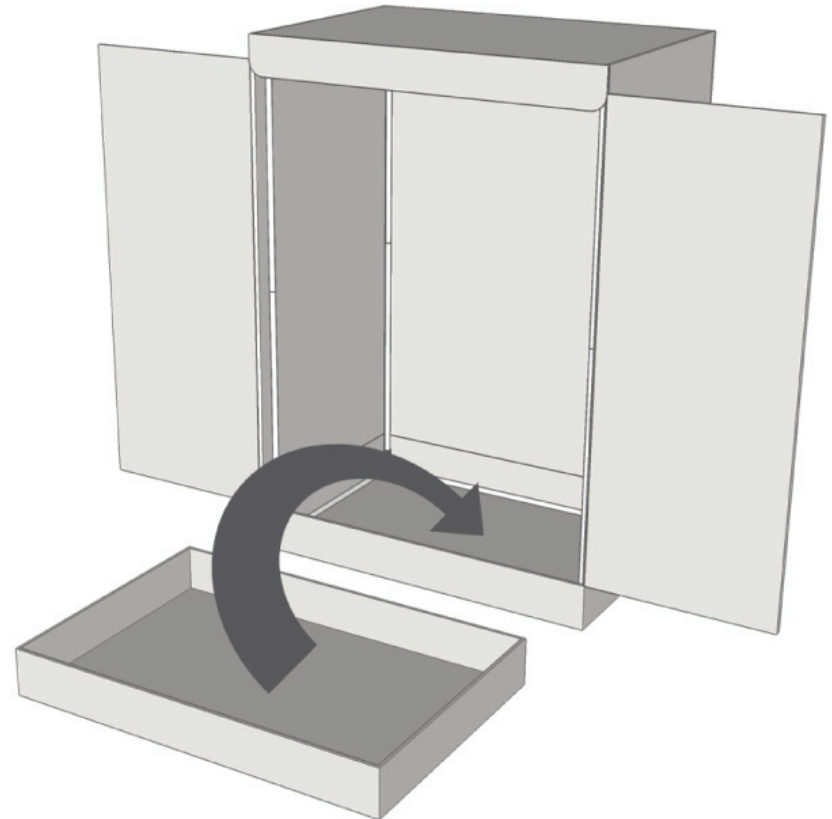


## Step9

Gently wriggle/adjust all eight corners until cover is square against the frame.

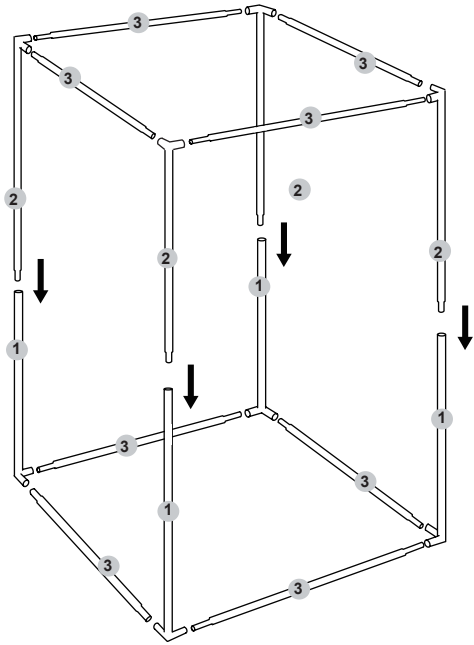
## Step10

Place floor tray/liner inside the tent floor and secure to Velcro pieces of the tent cover.



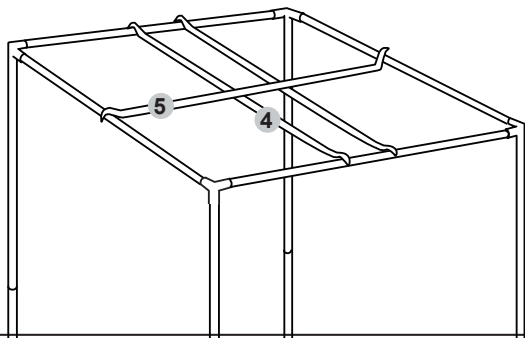
## Step3

Connect open ends of subunits A and B to form the complete frame. Once the frame is assembled, make sure that all poles are fully inserted into the corner.



## Step4

Place hanging poles 4 and 5 on the top of the frame.

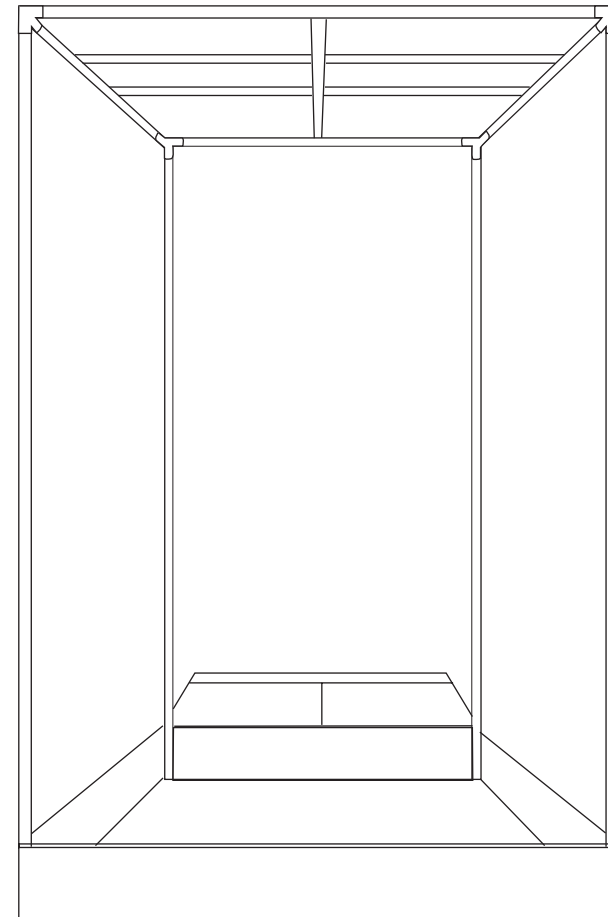


## Step5

Unzip all zippers of the tent cover all the way

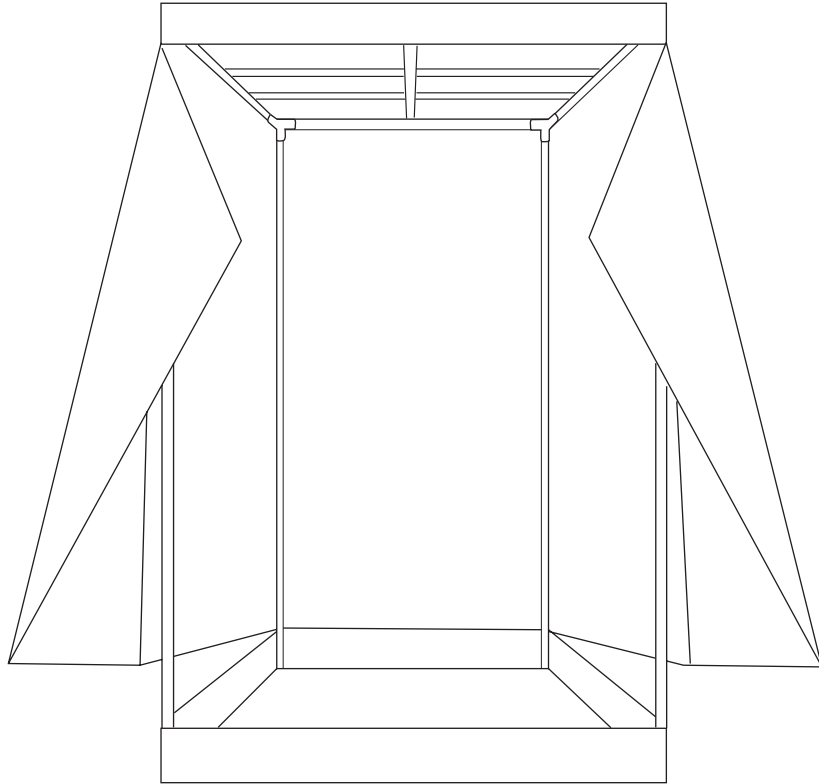
## Step6

Put frame upright on the base of the tent, making sure that all four corners are inside the base.



# Step7

Gently pull up the back of the tent cover such that the two upper back corners of the cover are squarely in place. Note that having a helper makes this process easier

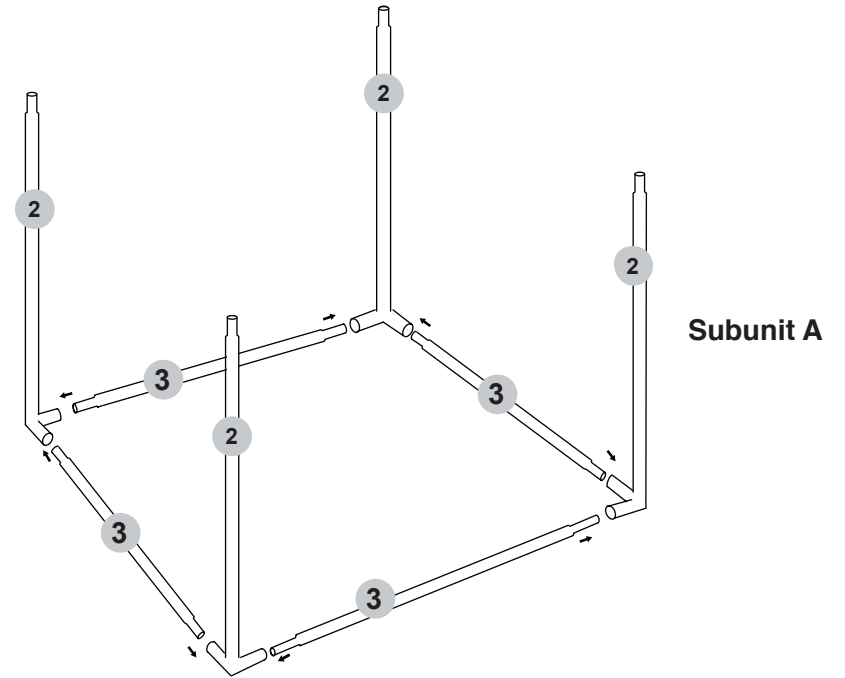


# Step8

Gently pull the "roof" of the tent to cover the two upper front corners.

# Step1

Assemble subunit A as shown using poles 3 and 2



# Step2

Repeat using poles 3 and 1 to assemble subunit B

