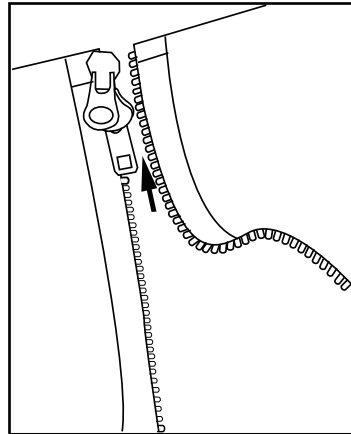
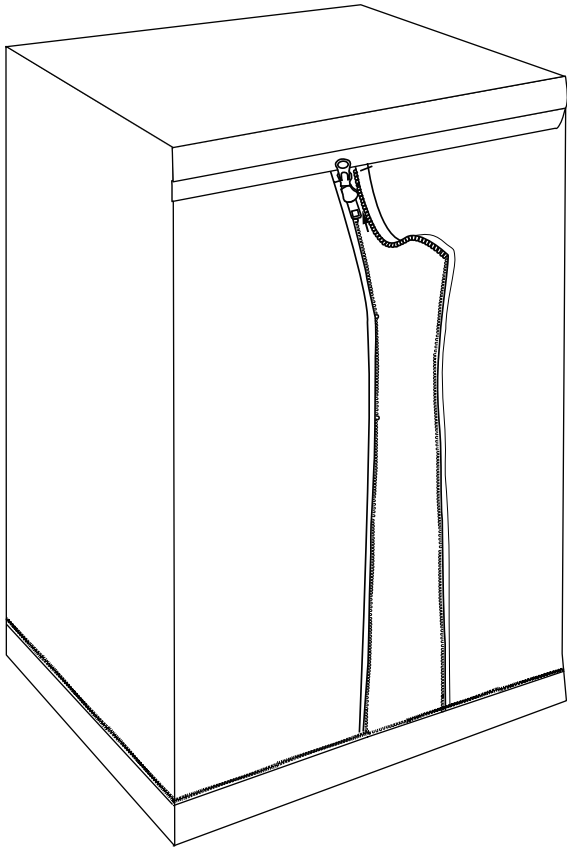


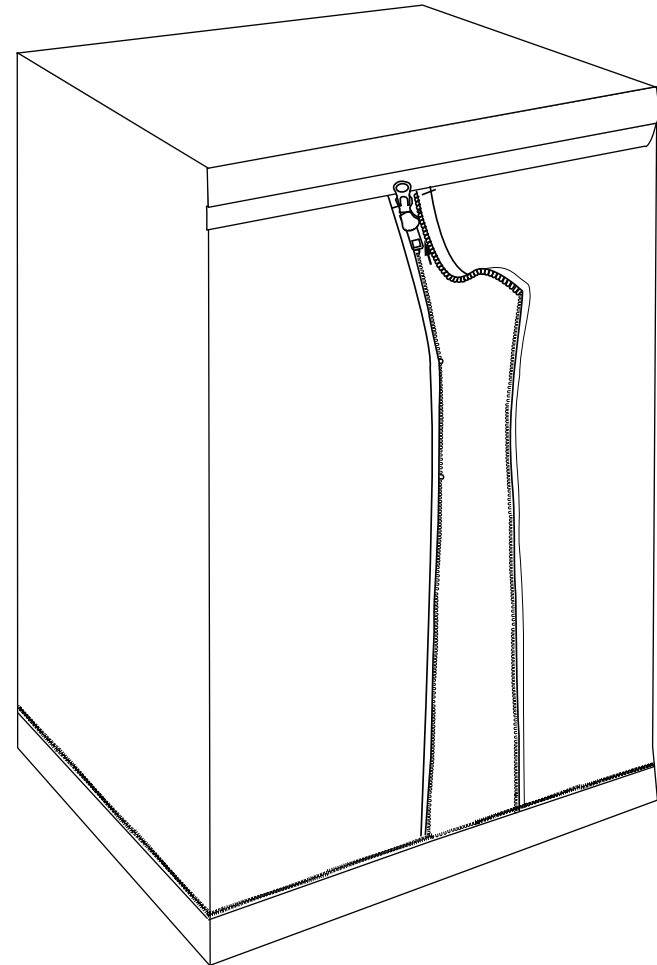
Step 11

Close all zippers. All parts have been assembled.



Grow tent ASSEMBLY INSTRUCTIONS

JR - 100100200



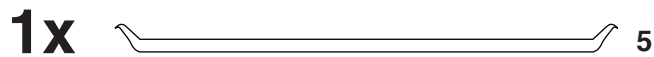
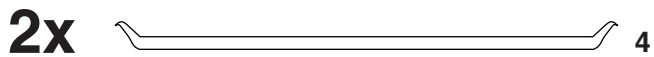
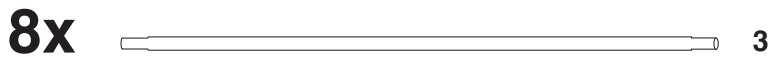
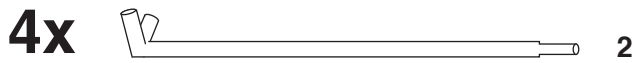
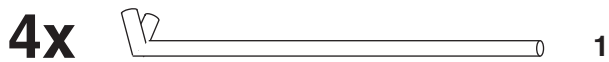
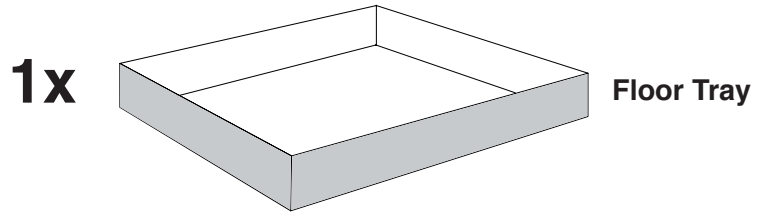
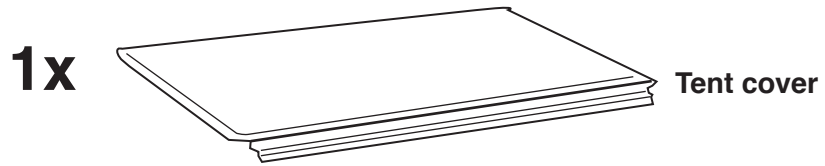
TENT SIZE: Length: 100cm - Width:100cm - Height: 200cm





No tools required

Parts list

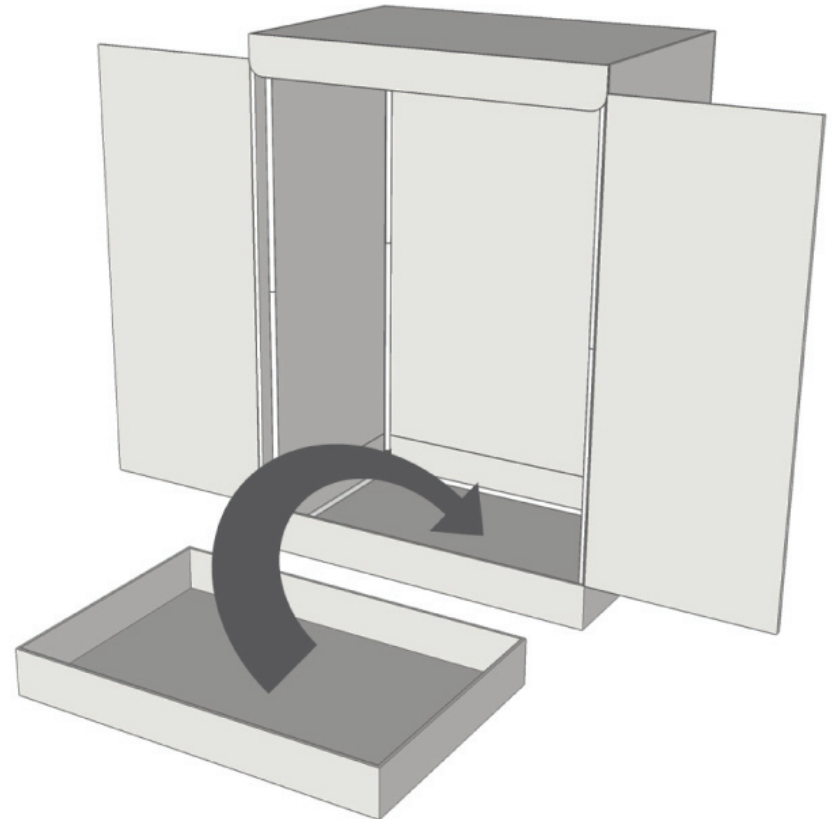


Step9

Gently wriggle/adjust all eight corners until cover is square against the frame.

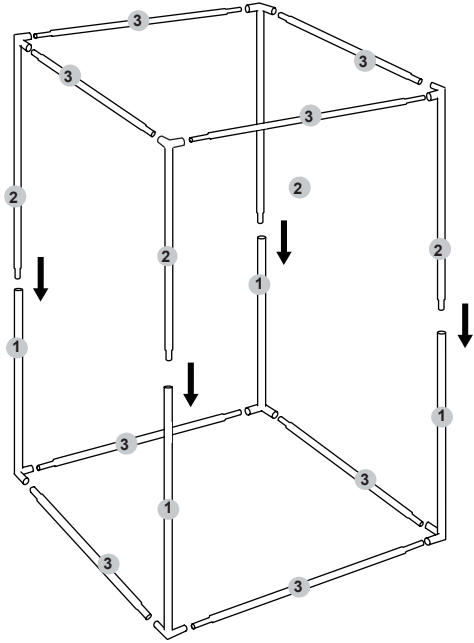
Step10

Place floor tray/liner inside the tent floor and secure to Velcro pieces of the tent cover.



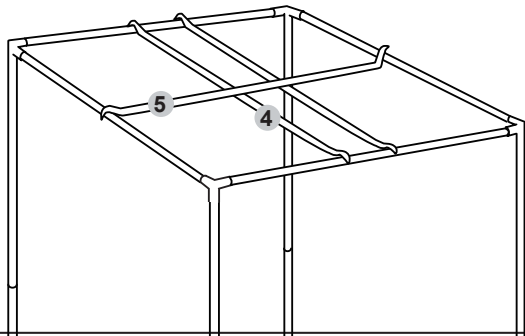
Step3

Connect open ends of subunits A and B to form the complete frame. Once the frame is assembled, make sure that all poles are fully inserted into the corner.



Step4

Place hanging poles 4 and 5 on the top of the frame.

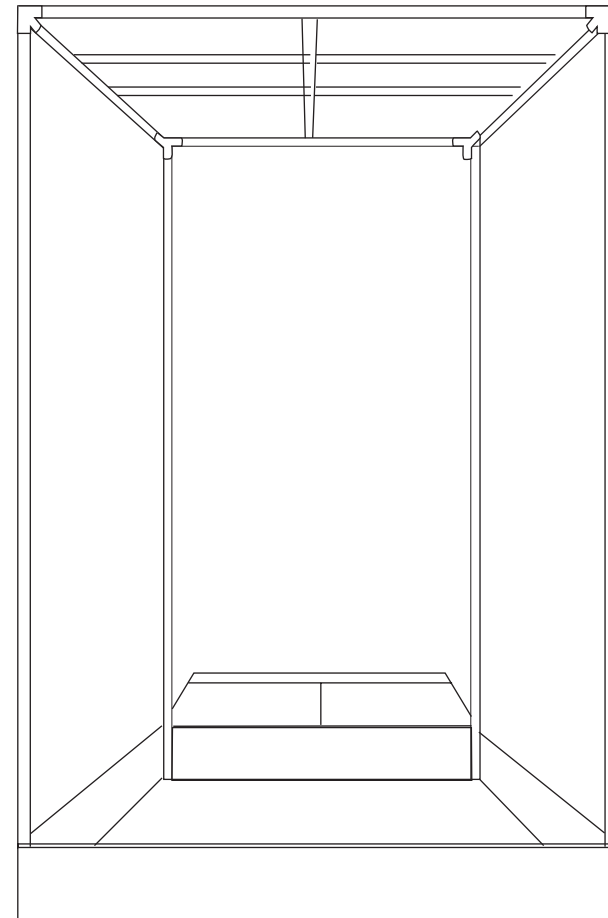


Step5

Unzip all zippers of the tent cover all the way

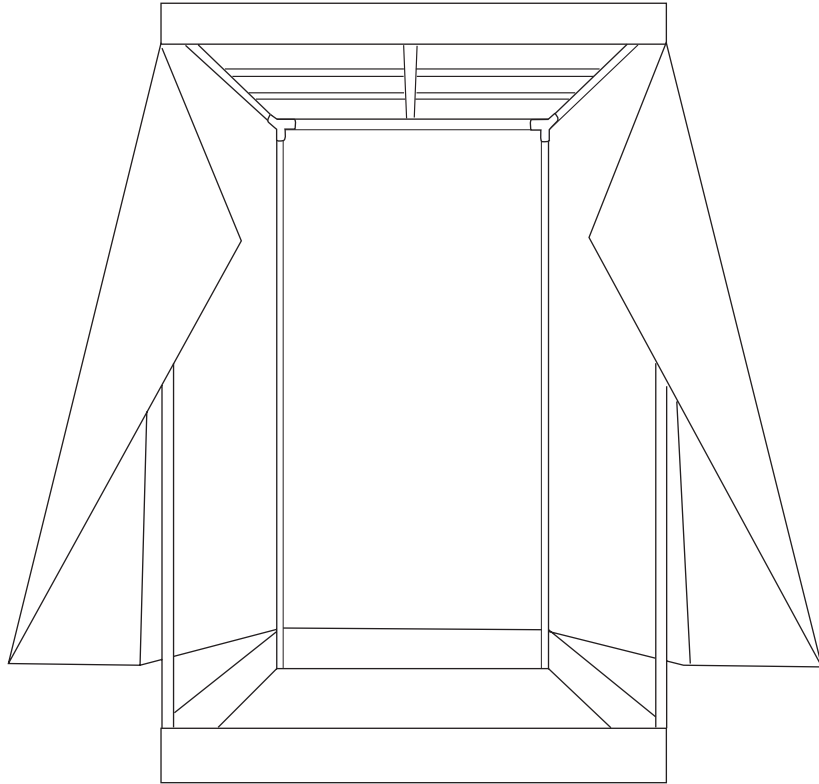
Step6

Put frame upright on the base of the tent, making sure that all four corners are inside the base.



Step7

Gently pull up the back of the tent cover such that the two upper back corners of the cover are squarely in place. Note that having a helper makes this process easier

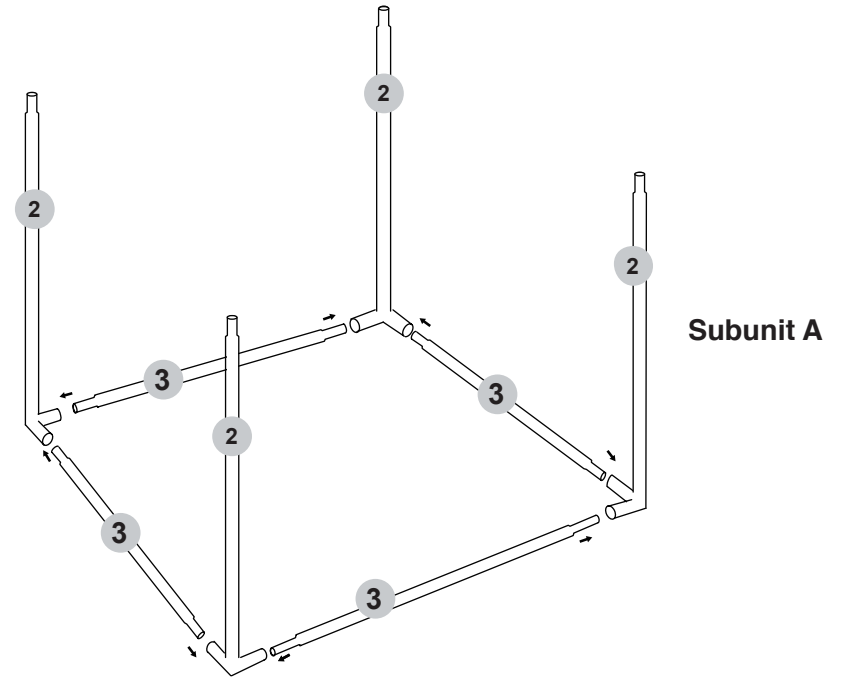


Step8

Gently pull the "roof" of the tent to cover the two upper front corners.

Step1

Assemble subunit A as shown using poles 3 and 2



Step2

Repeat using poles 3 and 1 to assemble subunit B

