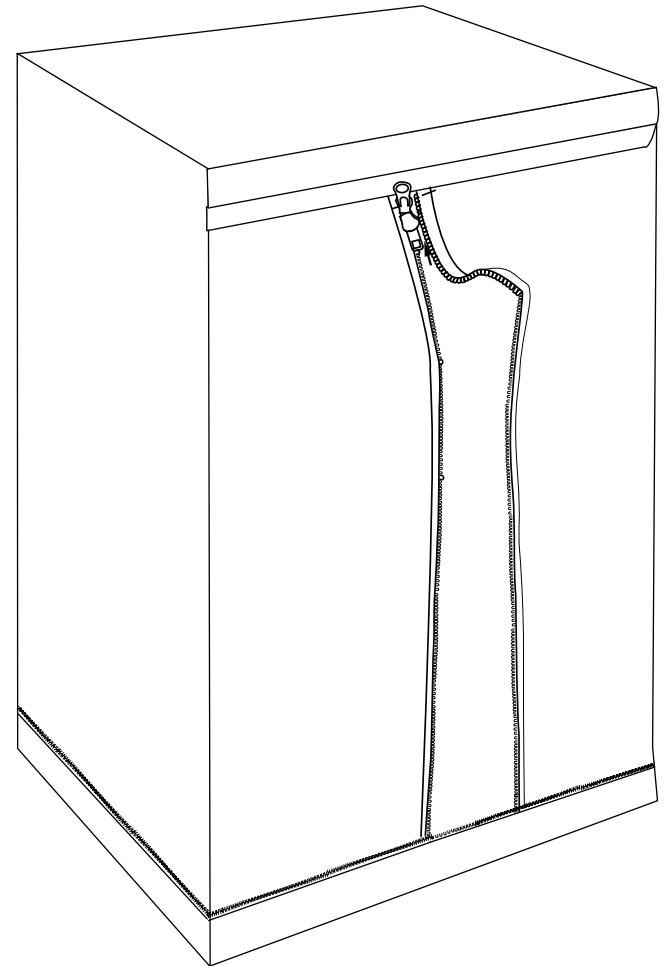




Grow tent ASSEMBLY INSTRUCTIONS

JR - 855080



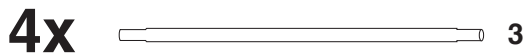
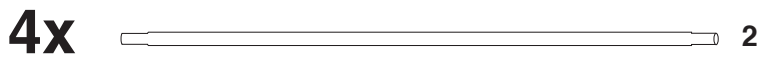
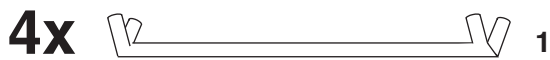
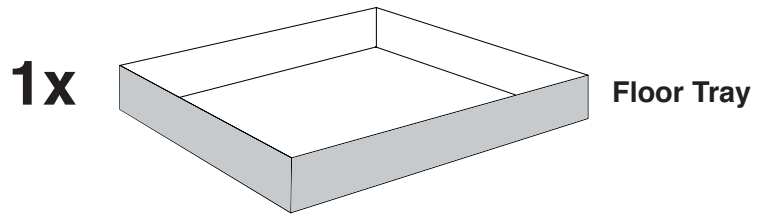
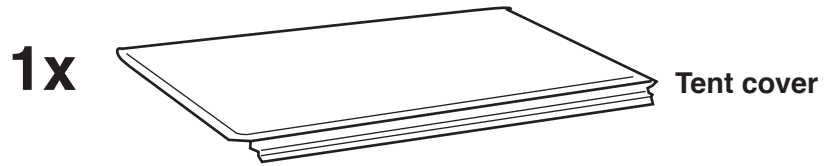
TENT SIZE: Length: 85cm - Width: 50cm - Height: 80 cm





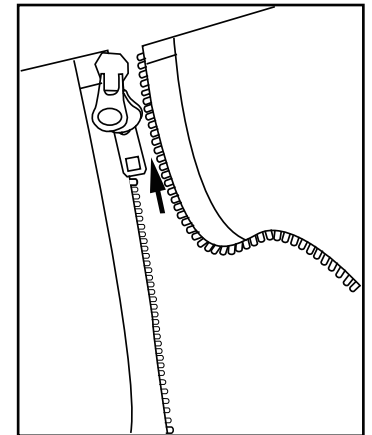
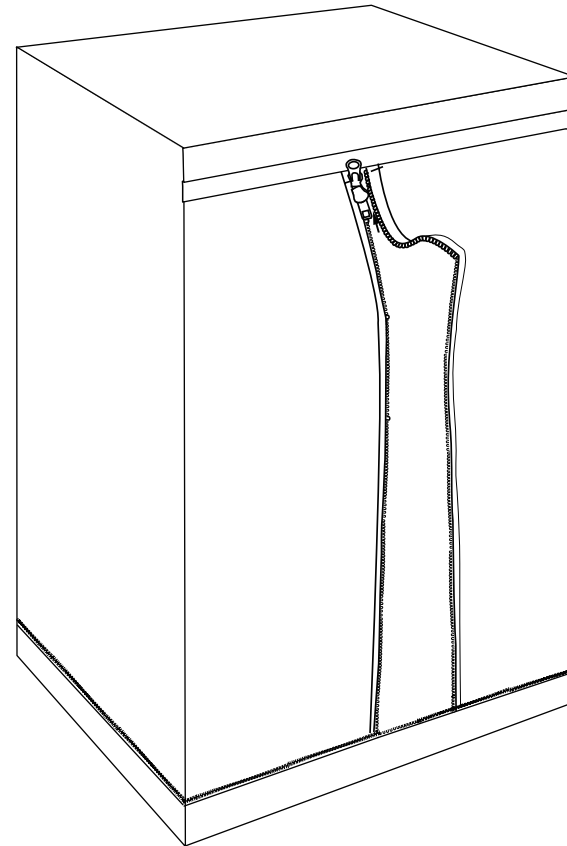
No tools required

Parts list



Step9

Close all zippers. All parts have been assembled.

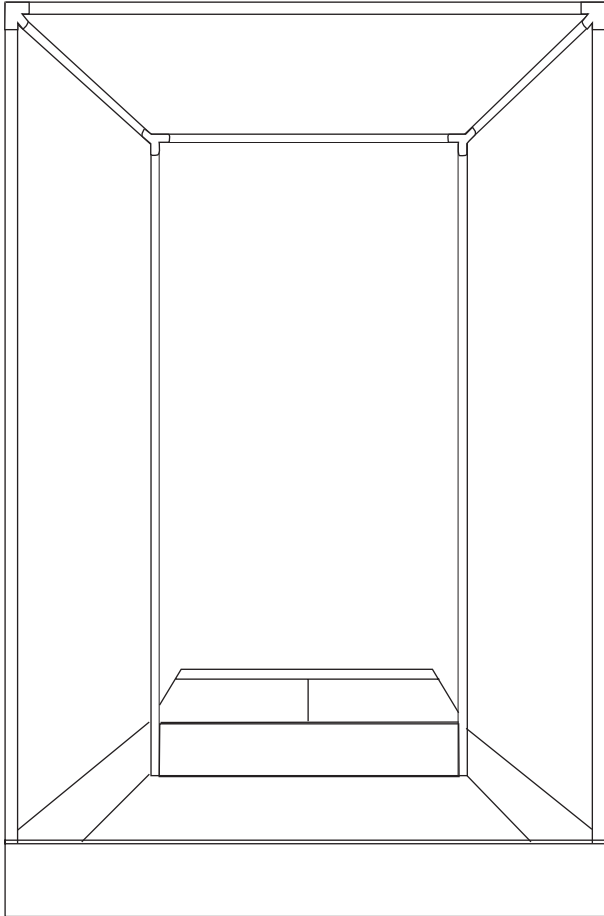


Step3

Unzip all zippers of the tent cover all the way

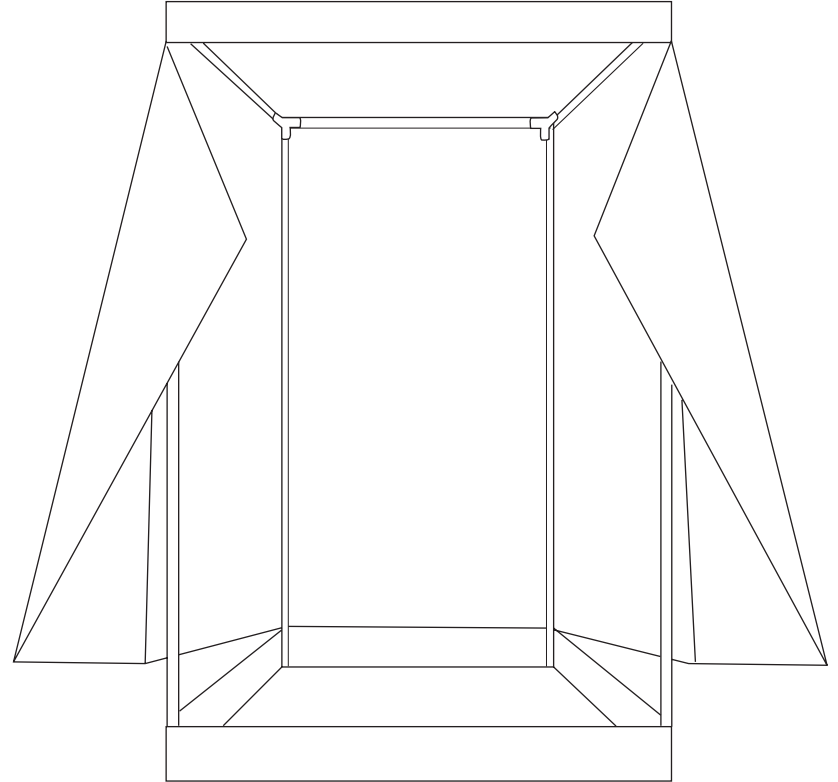
Step4

Put frame upright on the base of the tent, making sure that all four corners are inside the base.



Step5

Gently pull up the back of the tent cover such that the two upper back corners of the cover are squarely in place. Note that having a helper makes this process easier



Step6

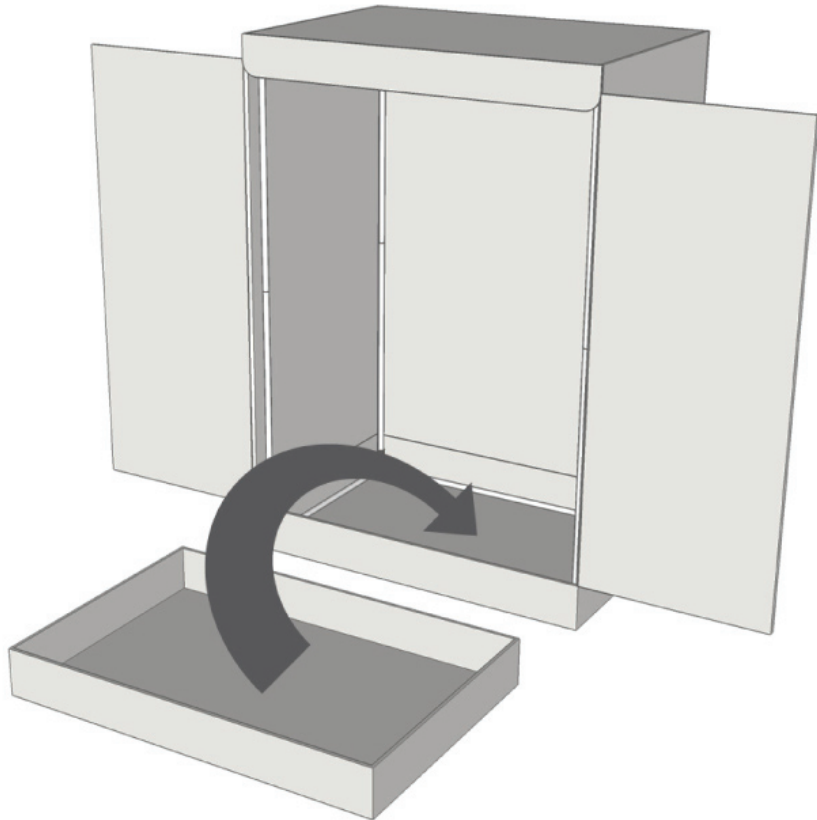
Gently pull the "roof" of the tent to cover the two upper front corners.

Step7

Gently wriggle/adjust all eight corners until cover is square against the frame

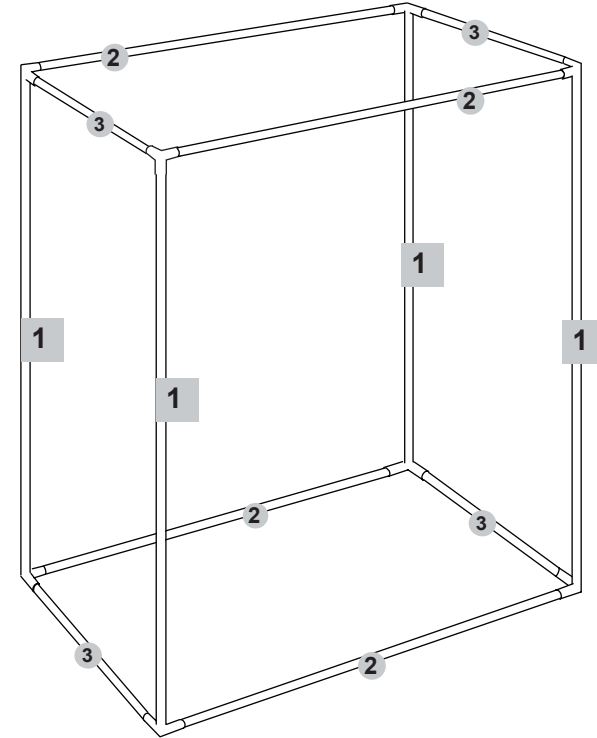
Step8

Place floor tray/liner inside the tent floor and secure to Velcro pieces of the tent cover.



Step1

Connect the poles 1, 2 and 3 to form the complete frame. Once the frame is assembled, make sure that all poles are fully inserted into the corner.



Step2

Place hanging poles 4 on the top of the frame

