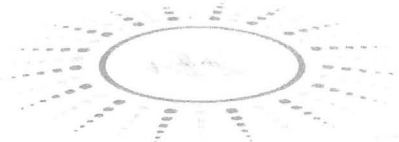




SETTOP CDG KARAOKE PLAYER

PLUG & PLAY CDG KARAOKE STUDIO
KARAOKE HITS CD+G DEMO DISC & MICROPHONE



INSTRUCTION MANUAL

Contents

Safety Information	2
Safety precaution	2
Disc handling	2
Accessories included	3
Overview of controls	3
Making the connections	4-5
Mains power connection	4
Connecting to a TV/Amplifier	4
Video connection	4
Audio connection	4
AUX audio connection	5
Microphone connections	5
Using headphones	5
General operation	5
Turning the unit ON/OFF	5
CD/CD+G operation	6
Loading a disc	6
Play/Pause	6
Stop	6
Skip Fwd/Rev	6
Fast search	6
Repeat function	6
Program function	6
Karaoke operation	6
Echo	6
Mic volume	6
Bluetooth operation	7
Care and Maintenance	8
Troubleshooting	8
Technical Specifications	9
Disposal information	9



Safety Information

Important – Please read these instructions fully before installation

CAUTION: TO REDUCE THE RISK OF ELECTRIC SHOCK, DO NOT REMOVE ANY COVER. NO USER-SERVICEABLE PARTS INSIDE, REFER ANY SERVICING TO QUALIFIED SERVICE PERSONNEL.

- Please read this owner's guide
- Please take the time to follow the instructions in this owner's guide carefully. It will help you set up and operate your system properly and enjoy all of its advanced features.
- Please save this owner's guide for future reference.
- The product label is located on the back of the product.
- This product must be used indoors. It is neither designed nor tested for use outdoors, in recreation vehicles, or on boats.
- Heed all warnings - on the product and in the owner's guide.
- Do not use this apparatus near water or moisture. Do not use this product near a bathtub, washbowl, kitchen sink, and laundry tub, in a wet basement, near a swimming pool, or anywhere else that water or moisture is present.
- Only use attachments/accessories specified by the manufacturer.
- Unplug this apparatus during lightning storms or when unused for long periods of time - to prevent damage to this product.
- Refer all servicing to qualified service personnel
- Servicing is required when the apparatus has been damaged in any way: such as liquid has been spilled or objects have fallen into the apparatus; the apparatus has been exposed to rain or moisture, does not operate normally, or has been dropped - Do not attempt to service this product yourself. Opening or removing covers may expose you to dangerous voltages or other hazards.
- To prevent risk of fire or electric shock, avoid overloading wall outlets, extension cords, or integral convenience receptacles.
- Use proper power sources - Plug the product into a proper power source, as described in the operating instructions or as marked on the product.
- The mains plug is used as the disconnect device, the disconnect device shall remain readily accessible



CAUTION

RISK OF ELECTRIC SHOCK!
DO NOT OPEN!



This symbol means that this unit is double insulated. An earth connection is not required.

CAUTION : CLASS 1 LASER PRODUCT

Use of contents or adjustments of performance of procedures other than those specified Herein may result in hazardous radiation exposure.

LASER SAFETY



This unit employs a laser, only qualified service personnel should attempt repair.

DANGER: Invisible laser radiation when open and interlock failed or defeated avoid direct exposure to beam.

CAUTION: hazardous laser radiation when open and intelock defeated.

Disc handling

- Do not touch the playback side of the disc.
- Do not attach paper or tape to disc.



- Fingerprints and dust on the disc cause picture and sound deterioration. Wipe the disc from the centre outwards with a soft cloth. Always keep the disc clean.



- If you cannot wipe off the dust with a soft cloth, wipe the disc lightly with a slightly moistened soft cloth and finish with a dry cloth.
- Do not use any type of solvent such as thinner, benzene, commercially available cleaners or antistatic spray for vinyl. It may damage the disc.
- Do not store discs in a place subject to direct sunlight or near heat source.
- Do not store discs in a place subject to moisture and dust such as a bathroom or near a humidifier.
- Store discs vertically in a case, stacking or placing object on discs outside or their case may cause warping.

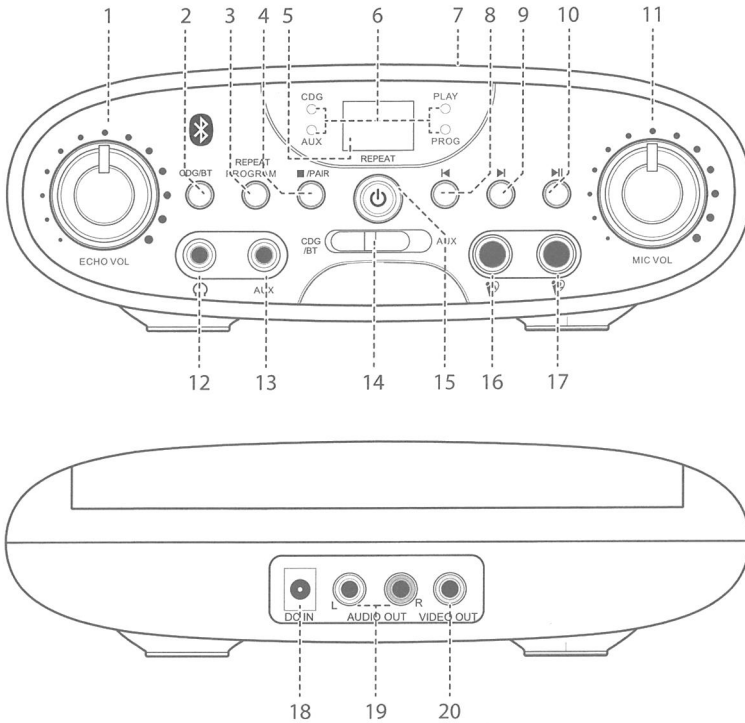
Functions & Controls

Please familiarize yourself with the parts and accessories listed below

Accessories included

- 1 x EKG88BT
- 1 x Instruction manual
- 1 x AV Cable
- 1 x Microphone
- 1 x Mains power adapter
- 1 x Demo disc

Overview of controls



1. ECHO VOLUME control
2. CDG/BT button
3. REPEAT/PROGRAM button
4. STOP/PAIR button
5. LED display
6. MODE INDICATOR LED's
7. DISC compartment
8. ◀ SKIP button
9. ▶ SKIP button
10. PLAY/PAUSE button
11. MIC VOLUME control
12. HEADPHONE output
13. AUX AUDIO input
14. MODE SELECTOR switch
15. STANDBY POWER button
16. MIC 1 input
17. MIC 2 input
18. MAINS POWER DC input
19. STEREO RCA (L/R) outputs
20. VIDEO output (Composite)

User Instructions

Making the connections

MAINS POWER CONNECTION

1. Connect the DC mains power plug into the **MAINS POWER DC input** socket (18)
2. Connect the mains adaptor to a suitable mains power outlet socket.
3. Now switch on the mains power at the mains socket.
4. Press the **STANDBY POWER** button (15) on the front of the unit.

NOTE

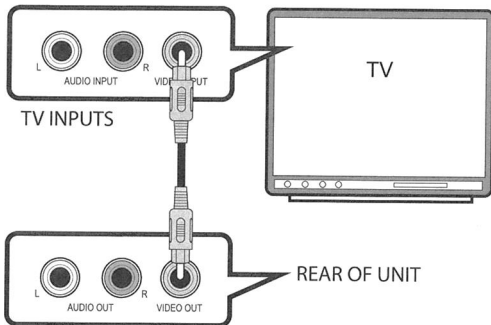
- The supplied adapter is for use with this unit only. Do not use with other equipment.
- When the adapter is plugged in, the equipment is not completely disconnected from the mains, even when the power is turned off.

CONNECTING TO A TV / AMPLIFIER

Audio and video connections are made with the supplied AV cable.

VIDEO CONNECTION

1. Connect the one end of the **YELLOW** plug to the **VIDEO OUTPUT** (20) on the rear of the unit.
2. The other end connects the **VIDEO INPUT** on your TV (this will usually be coloured **YELLOW** and next to RED & WHITE AUDIO INPUTS).



NOTE

- If your TV does not have a yellow (composite) video input and only a SCART input, then you will need a SCART adapter.

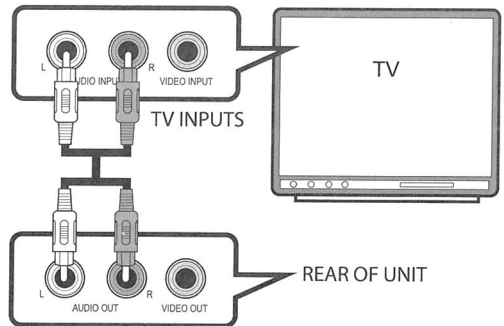
AUDIO CONNECTION

The audio connection can be made directly to the TV you have connected above or to an external amplifier for better audio.

1. Connect the **RED** plug to the **RED STEREO RCA** output (19) on the rear of the unit.
2. Connect the **WHITE** plug to the **WHITE STEREO RCA** output (19) on the rear of the unit.

Here you have the choice to connect to a TV or AMPLIFIER.

3. Connect the other end of the **RED & WHITE** plugs into the TV's audio inputs, or a free audio input on an amplifier. Taking care to match the **RED** plug to the **RED** input socket, and **WHITE** plug to the **WHITE** input socket on the TV or AMPLIFIER.



NOTE

- Make sure you connect the **VIDEO** and **AUDIO** connections to the same input on your TV. If you connect incorrectly the audio will not be output while viewing the lyrics.
- If you connect to an external amplifier, ensure the amp is turned ON and set to the correct input mode for the audio to be heard.
- Ensure the volume is turned up.

User Instructions

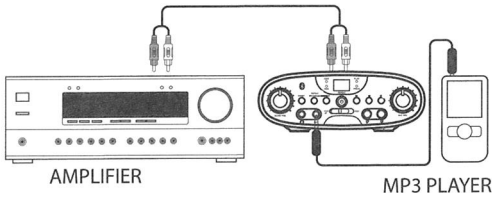
Making the connections

AUX AUDIO CONNECTION (AMP ONLY)

Using a 3.5mm audio cable (not supplied), it is possible to connect an external audio device EG:- MP3 player to the unit.

NOTE: This function requires the **AUDIO CONNECTION** to be made to an external amplifier. This will **NOT** work connected to a TV input.

1. Connect a 3.5mm cable into the AUX input socket (13) on the front of the unit.
2. Connect the other end to your audio devices headphone output or Line-out.



3. Set the **MODE SELECTOR** switch (14) to the 'AUX' position. The AUX indicator will light and 'AU' will appear on display.
4. Press **PLAY** on the external audio source EG:- MP3 player.

NOTE: The audio output level is effected by the volume on the source EG: MP3 player so make sure that is set to about 70-80% (not too loud to avoid distortion).

5. Adjust the **VOLUME** control on the amplifier to set the main volume level.

NOTE: When the **MODE SELECTOR** switch is set to **AUX**, the TV screen will go blank as no video input is being received.

MICROPHONE CONNECTION(S)

The unit is supplied with one microphone, however you can connect a second microphone for duets.

1. Plug the supplied microphone into the MIC 1 sockets (16) on the front of the unit.
2. Set the **ON/OFF** switch on the microphone to the **ON** position

Making the connections

USING HEADPHONES (CD+G)

Should you wish to eliminate background noise from your performance, you can connect a set of headphones with a 3.5mm socket (not provided).

1. Connect the 3.5mm jack into the **HEADPHONE** socket (12) on the unit.
2. The audio will be outputted through both TV/AMPLIFIER speakers and the **HEADPHONES**.

NOTE: Listen at moderate volumes to avoid hearing damage.



General operation

TURNING THE UNIT ON/OFF

1. To switch the unit **ON**, press the **STANDBY POWER** button (15). The **MODE INDICATOR LED's** (6) will illuminate to indicate the unit is **ON**.
2. Press the **STANDBY POWER** button again to turn the unit **OFF**. The **MODE INDICATOR LED's** will go off to indicate the unit is **OFF**.



NOTE: This unit is designed to enter **STANDBY** mode automatically after **20 MINUTES** of inactivity. Press the **STANDBY** button to wake the unit.

User Instructions

CD/CDG operation

LOADING A DISC

1. Set the **MODE SELECTOR** switch (14) to the **CDG** position, if not already.
2. Press the **DISC** compartment lid (7) (**PUSH TO OPEN**) to reveal the disc tray.
3. Insert a CD or CD+G disc with the label facing upwards, and close the lid carefully.
4. The disc will be read, then begin playback of the first track (the **PLAY INDICATOR LED** will illuminate). If the disc cannot be read or there is no disc in the tray the display will show '**NO**'.
5. If a CDG disc is loaded the **CDG INDICATOR LED** will illuminate.

PLAY/PAUSE (CD & CD+G)

1. To begin playback of a loaded disc, press the **PLAY/PAUSE** button (10) once.
2. To pause playback press the **PLAY/PAUSE** button once more. (the **PLAY INDICATOR LED** will flash).
3. From **PAUSE**, press the **PLAY/PAUSE** button again to resume playback.

NOTE: Pressing **PAUSE** when playing a CD+G disc may cause distorted lyrics on the screen. Any distortion will remain on-screen until the screen is refreshed during an instrumental break or you **STOP** playback and start again.

STOP (CD & CD+G)

1. Press the **STOP/PAIR** button (4) to cancel any playback of the current disc.

SKIP FWD / REV (CD & CD+G)

1. Press the **▶ SKIP** button (9) during playback or **STOP** mode to skip to the next track.
2. Press the **◀ SKIP** button (8) during playback or **STOP** mode to skip to the previous track.

FAST SEARCH (CD ONLY)

1. During playback, pressing and holding the **▶ SKIP** button (9) will fast forward through the current track.
2. During playback, pressing and holding the **◀ SKIP** button (8) will fast rewind the current track.

NOTE: There is no audio during the fast search function.

CD/CDG operation

REPEAT FUNCTION (CD & CD+G)

1. During playback press the **REPEAT/PROGRAM** button (3) once. The TV screen will display '**↻ 1**' and repeat the current track. The repeat indicator will blink in the display.
2. During playback press the **REPEAT/PROGRAM** button (3) twice. The TV screen will display '**↻ A**' and repeat all tracks on the current disc. The repeat indicator will stay lit in the display.
3. To cancel any **REPEAT** function press the **REPEAT/PROGRAM** button (3) until '**✕**' appear on the display. The repeat indicator in the display will turn off.

PROGRAM FUNCTION

It is possible to program a custom playback sequence of all tracks on the current disc. Follow the below steps.

1. Press the **STOP** button (4) to cancel playback (if required).
2. Press the **REPEAT/PROGRAM** button (2). the **PROG MODE INDICATOR LED** (6) will flash. On the connected TV screen you will see '**PRG SET 00: (total number of tracks on the disc)**' on the top right hand corner.
3. Use the **◀** (8) / **▶** (9) buttons to cycle through the available track numbers on the disc. When you have selected the track you wish to play in slot 1 press the **REPEAT/PROGRAM** button (2) to store and advance to slot 2.
4. Repeat step 2 until you have programmed all the tracks you wish to listen to.
As you advance to each slot you will see the text on the TV change to **PRG SET, 01, 02, 03** etc, to indicate which slot you are currently setting.
5. Press the **PLAY/PAUSE** button (10) to begin playback of the programmed sequence.
6. Press the **STOP/PAIR** button (4) twice to stop and cancel all programming.

Karaoke operation

ECHO

Adjust the **ECHO VOLUME** control (1) to increase or decrease the reverb echo effect.

MIC VOLUME

Rotate the **MIC VOLUME** control (11) clockwise to increase both mic input volume levels. Rotate anti-clockwise to reduce the volume levels.

Bluetooth operation

BLUETOOTH PAIRING

1. Set the **MODE SELECTOR** switch (14) to the **CDG/BT** position.
2. Press **CDG/BT** button, "bt" will blink on display, "Bluetooth" will flash on TV if connected, and a sound will be heard.
3. Activate the Bluetooth function on your device and search for, the pairing name "EKG88BT"
4. Select the "EKG88BT" and make pairing.
5. After successful connection, the "bt" will stay on display, "Bluetooth" will stop flashing on TV, and a chime will be heard.
6. If you want to connect another device, press and hold the **STOP/PAIR** button to disconnect the current pairing and connection, "bt" will blink on display again, then try pairing as the above steps.

Care & Maintenance



Important: Always unplug the appliance from the power socket during cleaning and maintenance.

- Never use any sharp instruments or abrasive substances, soap, household cleaner, detergent or wax polish for cleaning.
- Clean the external surfaces with a damp soft cloth only. Never use abrasive products or solvents as it may damage the appliance.

Troubleshooting

In the event of any problems installing or using this Easy Karaoke machine, please contact your local retailer or Email: help@easykaraoke.com

Problem	Reason(s)	Solution(s)
No Power	<ul style="list-style-type: none"> • Power cable not connected to wall socket • Power socket is not switched on • Standby mode active 	<ul style="list-style-type: none"> • Make sure the plug is connected • Switch the power on • Press the STANDBY button to wake the unit
Disc will not play	<ul style="list-style-type: none"> • CD door not closed correctly • Disc not inserted correctly • Defective disc • Moisture on disc • Non standard disc • Lens is dirty • The unit requires resetting 	<ul style="list-style-type: none"> • Close the door correctly • Remove and re-seat the disc with the label facing upwards • Try another disc • Wipe clean and try again • Use a disc bearing the standard logo • Use a CD lens cleaner • Disconnect from the mains power for 30 seconds, and re-connect.
No sound	<ul style="list-style-type: none"> • Volume control set to minimum • Defective disc • Audio connections not correct • TV is not powered ON 	<ul style="list-style-type: none"> • Increase the volume level • Try another disc • Check the Audio connections to the TV or AMP • Turn the TV on
Disc playback error 'UN' or 'NO' displayed.	<ul style="list-style-type: none"> • Defective disc 	<ul style="list-style-type: none"> • Try another disc
No lyrics on the TV screen	<ul style="list-style-type: none"> • Video cable is not connected correctly • The TV input is not correct • Wrong disc loaded 	<ul style="list-style-type: none"> • Check the video connections • Try different TV inputs • Check the disc is CD+G or MP3+G
No sound from the mic	<ul style="list-style-type: none"> • Mic volume set too low • Mic power switch set to OFF 	<ul style="list-style-type: none"> • Increase the Mic Volume level • Set the mic power switch to ON
Bluetooth not connected	<ul style="list-style-type: none"> • The device too far from the device • Wrong mode 	<ul style="list-style-type: none"> • Make the device close to the unit • Press the CDG/BT button to switch to bluetooth mode

Technical Specifications

General	
Power	DC: 5.8V --- 1.5A \ominus \oplus
Earphone output level Earphone output impedance	140mV 320 Ohms
CD frequency response CD signal to noise ratio	20Hz - 20KHz 50 dB
AUX input	Ø 3.5mm stereo headphone jack
Microphone	-54dB 510 Ohms impedance with Ø 6.3mm dynamic microphone
Bluetooth version	2.1+EDR
Bluetooth working range	10 meters (32 feet) tested in open area



We apologise for any inconvenience caused by any minor inconsistencies in these instructions, which may occur as a result of product improvements and development.

This appliance complies with the following EU directives: 2006/95/EC Low voltage directive / 2004/108/EC EMC directive , 2002/96/EC WEEE directive.

Disposal Information



The symbol on the product or its packaging indicates that this product may not be treated as household waste. Instead it should be handed over to the applicable collection point for the recycling of electrical and electronic equipment. By ensuring this product is disposed of correctly, you will help prevent potential negative consequences for the environment and human health, which could otherwise be caused by inappropriate waste handling of this product. For more detailed information about recycling this product, please contact your local council office, your household waste disposal service or the shop where the product was purchased.