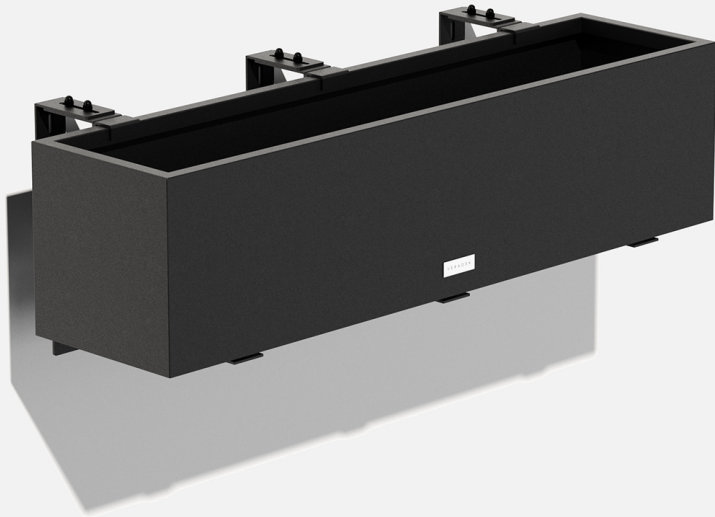


# metallic series railing planter instructions



V  
|  
O



# parts and components

\*Please note: Diagrams shown are drawings of the Railing Planter 36" model. However, the installation process for the 36" and 48" models are the same.



6x  
Slider  
Bolt



6x  
Cap Nut



6x  
Screw  
(Small)



6x  
Screw  
(Large)

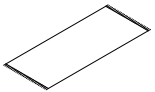


6x  
Nut

Not Included



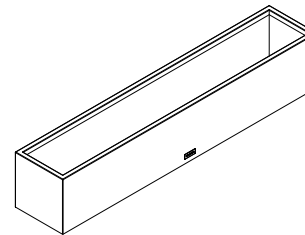
Phillips  
Screwdriver



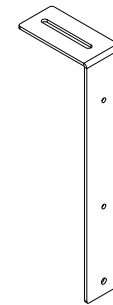
Soft  
Working  
Surface



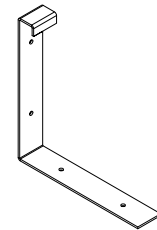
1x  
Leveling  
Bar



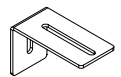
1x  
Planter



3x  
Railing  
Bracket



3x  
Planter  
Bracket

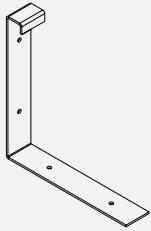


3x  
Sliding  
Bracket

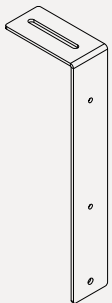
# part a



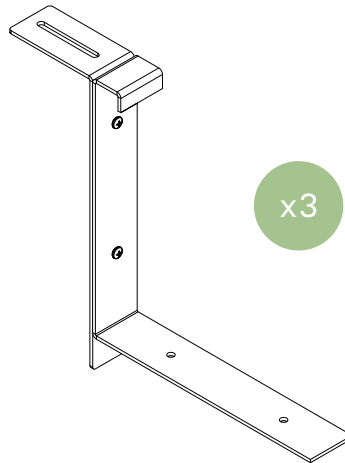
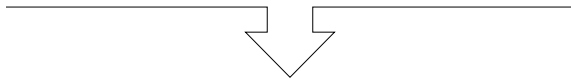
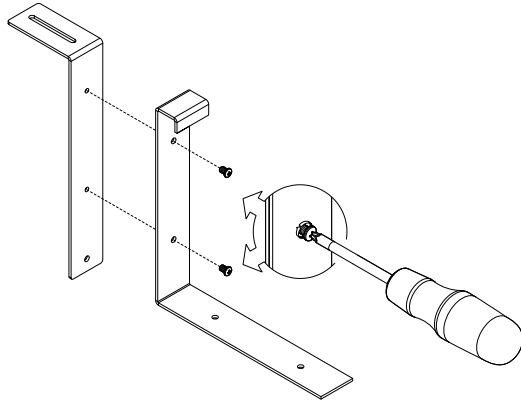
6x  
Screw  
(Small)



3x  
Planter  
Bracket



3x  
Railing  
Bracket



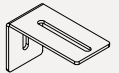
# part b



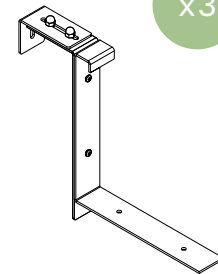
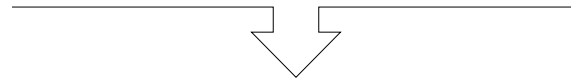
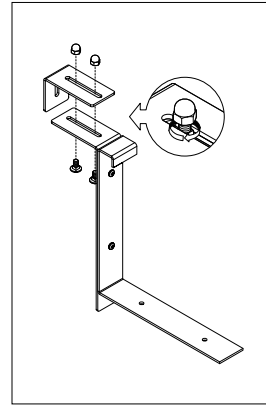
6x  
Cap Nut



6x  
Slider Bolt



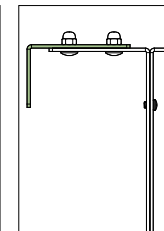
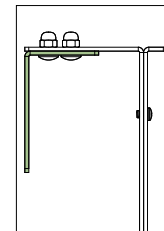
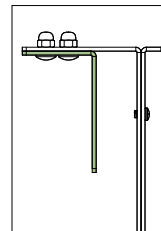
3x  
Sliding  
Bracket



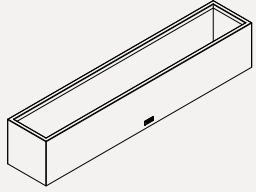
The mounting bracket can be configured in a small, medium, or large orientation to be mounted on railings 1" to 5.5" wide.

Please mount brackets based on your specific mounting needs.

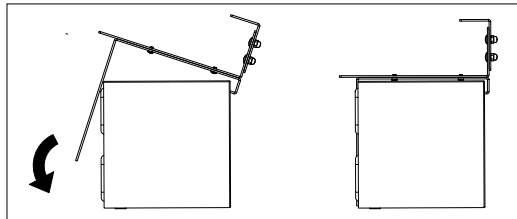
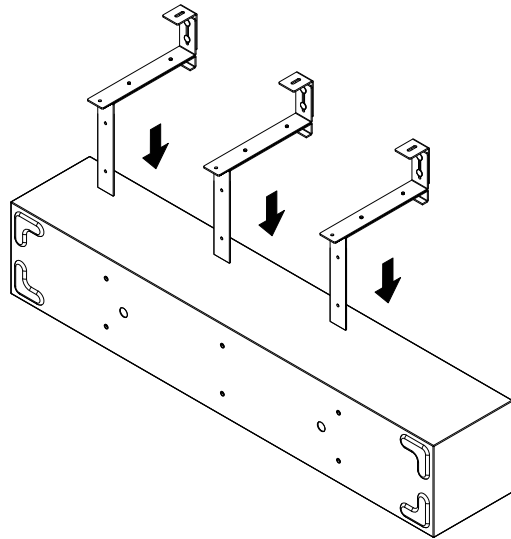
Small	Medium	Large
1" - 1.5"	2" - 3.5"	3.5" - 5.5"



# part c

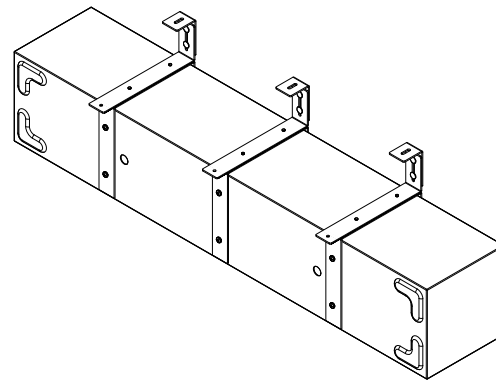
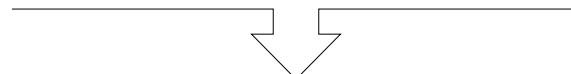
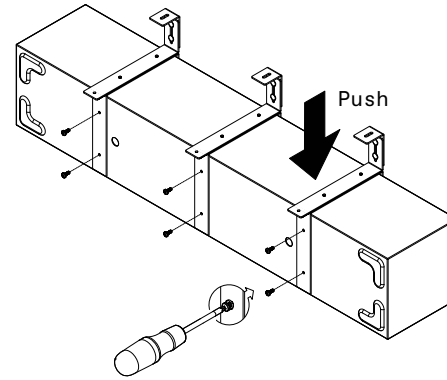


1x Planter



# part d

Align holes by pushing down on planter bracket while screwing in bottom hole, followed by top hole. Repeat for each bracket.



6x Screw (Large)

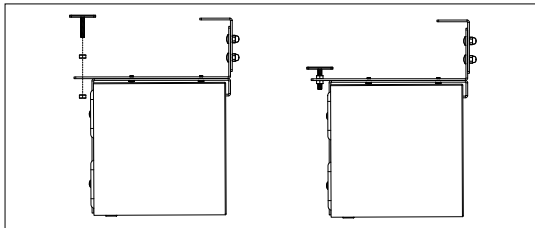
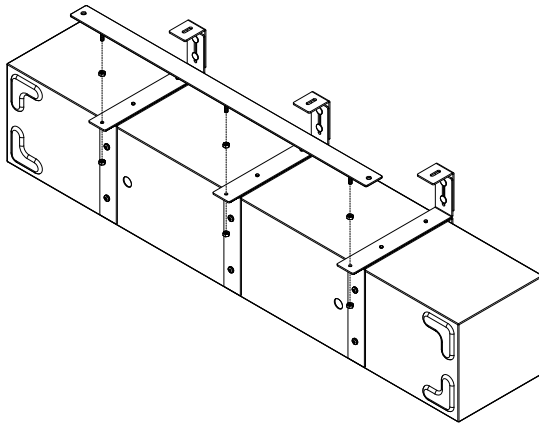
# part e



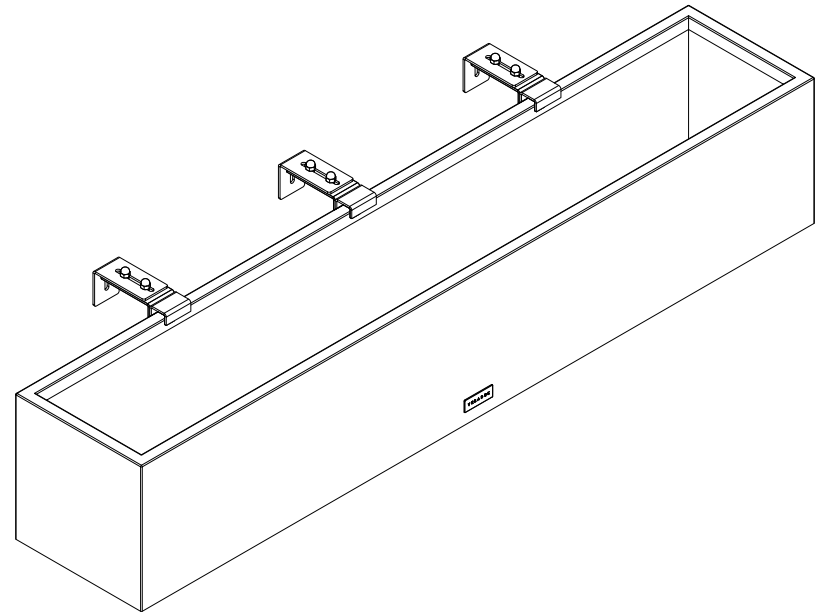
6x  
Nut



1x  
Leveling  
Bar



# completed



V  
|  
O

## about the metallic series

Metallic Series planters are not only artfully designed, but are also built with quality that you can see and feel. Constructed from thick-gauge, rust resistant, galvanized steel, all Metallic Series planters are fully insulated and protected with a strong, scratch resistant, powdercoated finish. Metallic Series planters are crack-proof and are designed to be left outdoors year round in both commercial and residential settings. Pair your Metallic Series planter with our Drip Trays to prevent water runoff or even bring your planters indoors!



01 Corner Box - 02 Cube - 03 Raised Garden Bed - 04 Long Box -  
05 Window Box/Railing Planter - 06 Pedestal - 07 Span

Check out more Metallic Series products at [veradek.com](https://www.veradek.com)  
Questions? Email [info@veradek.com](mailto:info@veradek.com)

meet you  
outside.