

pure series

# kona planter

black



espresso



gray



white



## materials

durable polypropylene construction  
made in canada

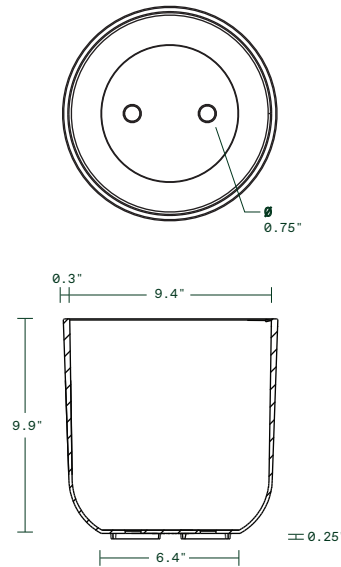
## features

all weather resistant  
scratch resistant  
fade resistant  
crack proof

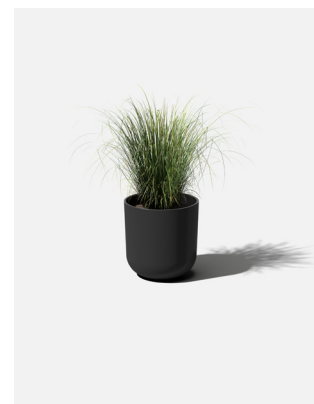
drainage holes  
5 year limited warranty

### kona ten

10"D x 10.25"H  
Weight: 2.55 lbs  
Capacity: 2.7 gal | 10.4 L



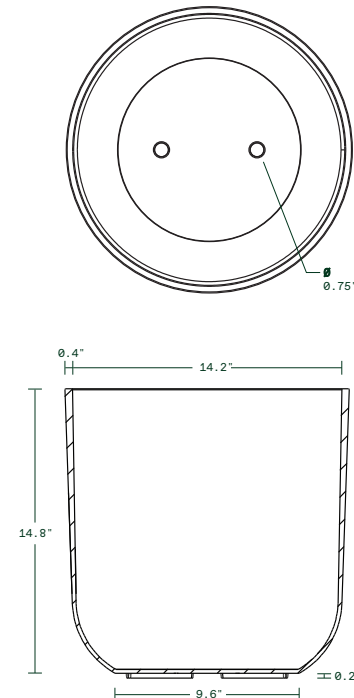
Interior Dimensions



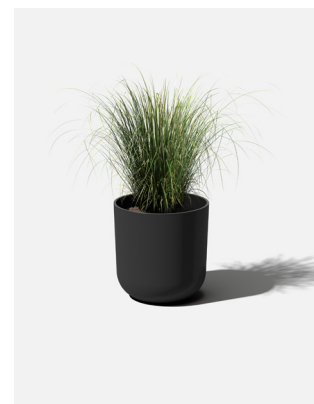
Exterior Dimensions

### kona fifteen

15"D x 15.25"H  
Weight: 7.5 lbs  
Capacity: 9.4 gal | 35.6 L



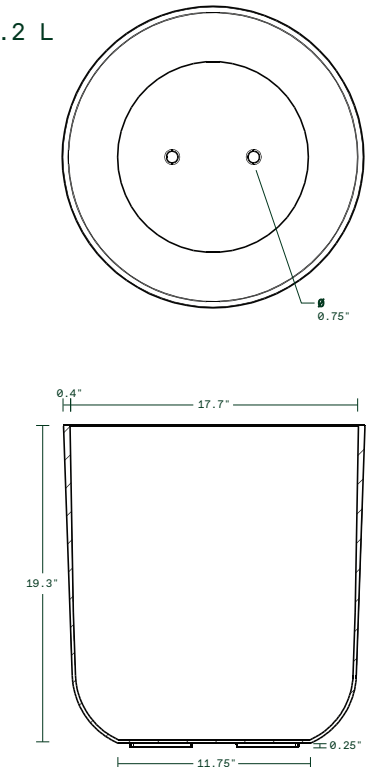
Interior Dimensions



Exterior Dimensions

### kona twenty

18.5"D x 19.75"H  
Weight: 11 lbs  
Capacity: 19 gal | 72.2 L



Interior Dimensions



Exterior Dimensions