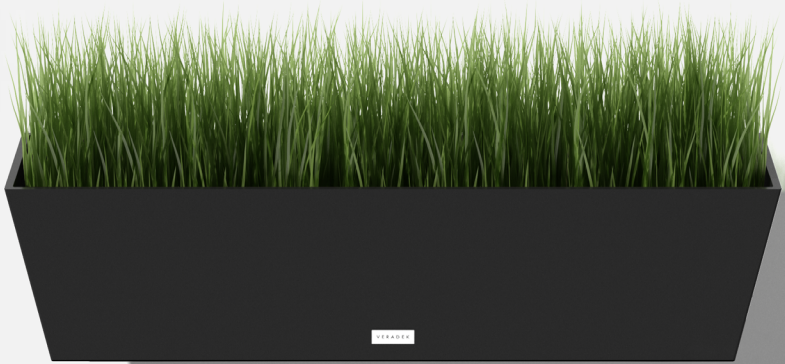


veradek — outdoor

pure series railing planter instructions

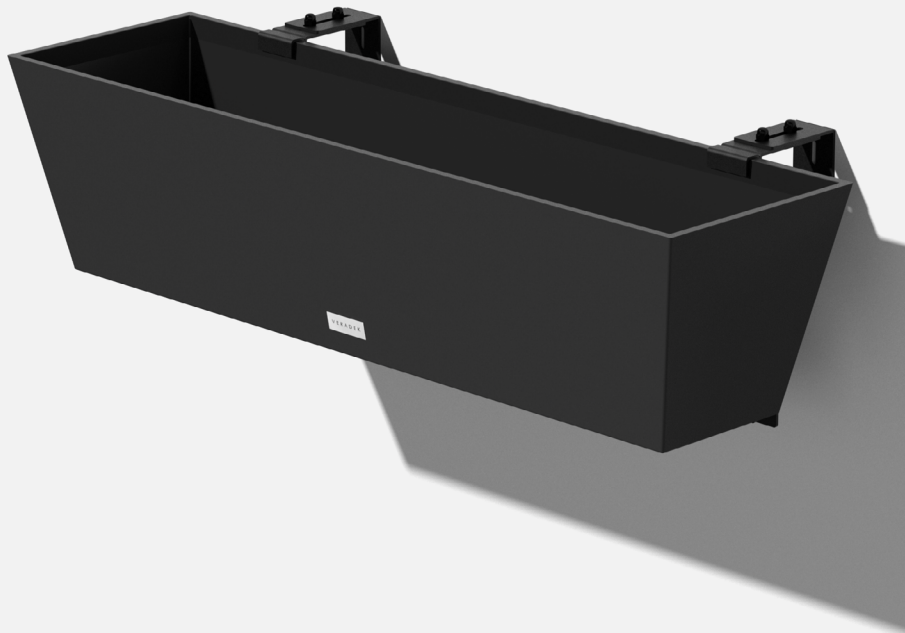


V
|
O

parts and components

- 4x Slider Bolt
- 4x Cap Nut
- 4x Screw
- 4x Hex Nut

- Not Included
- Phillips Screwdriver
 - Adjustable Wrench
 - Soft Working Surface

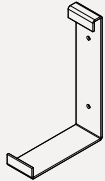


- 1x Leveling Bar
- 1x Planter
- 2x Railing Bracket
- 2x Planter Bracket
- 2x Sliding Bracket

part a



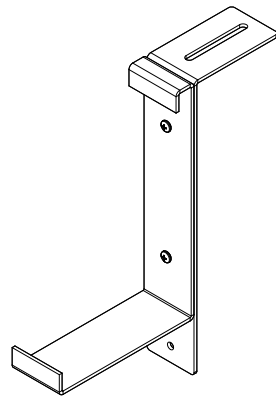
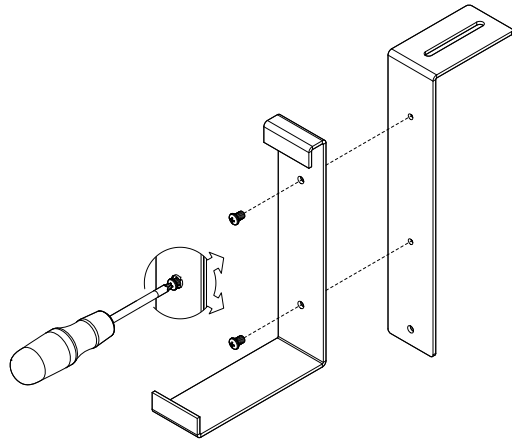
4x
Screw



2x
Planter
Bracket



2x
Railing
Bracket



x2

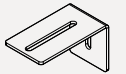
part b



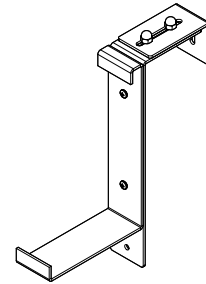
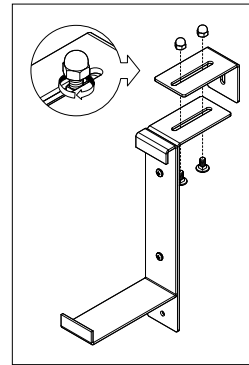
4x
Slider Bolt



4x
Cap Nut



2x
Sliding
Bracket

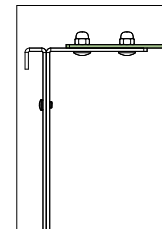
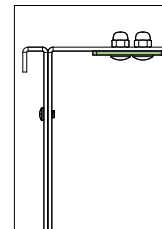
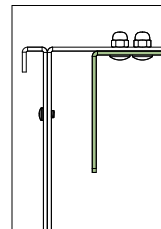


x2

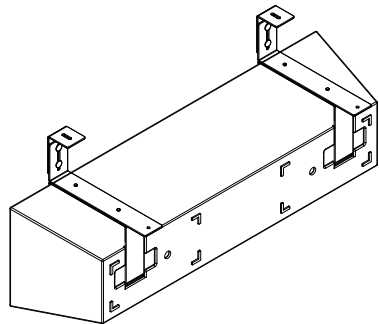
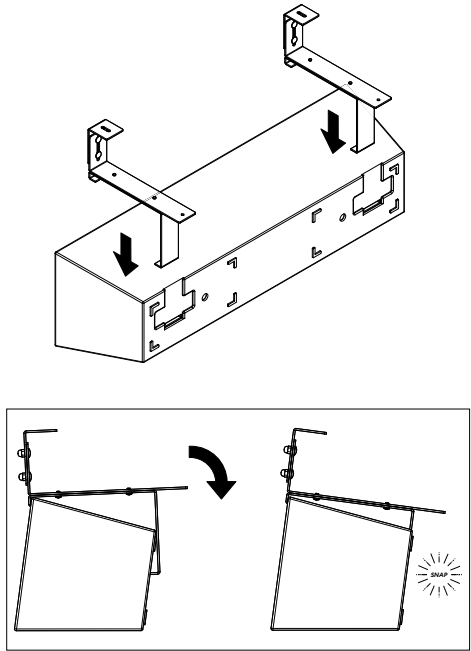
The mounting bracket can be configured in a small, medium, or large orientation to be mounted on railings 1" to 5.5" wide.

Please mount brackets based on your specific mounting needs.

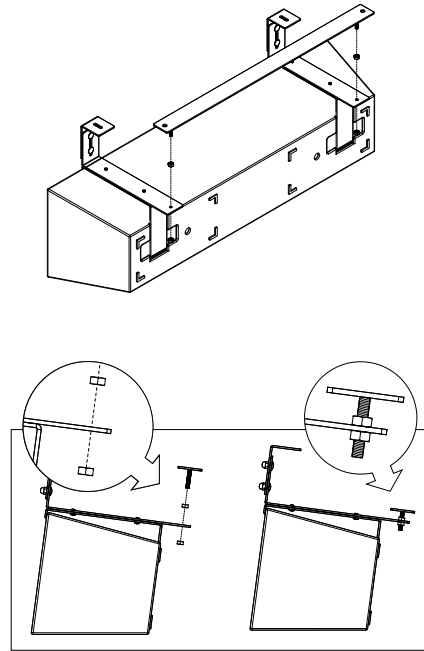
Small	Medium	Large
1" - 1.5"	2" - 3.5"	3.5" - 5.5"



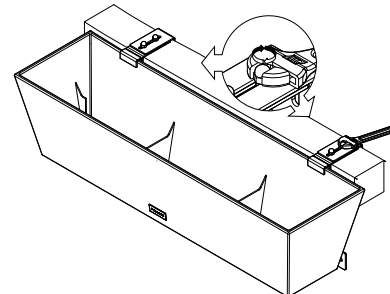
part c



part d



Mount planter on railing prior to adjusting sliding bracket, then ensure all cap nuts are firmly secured.

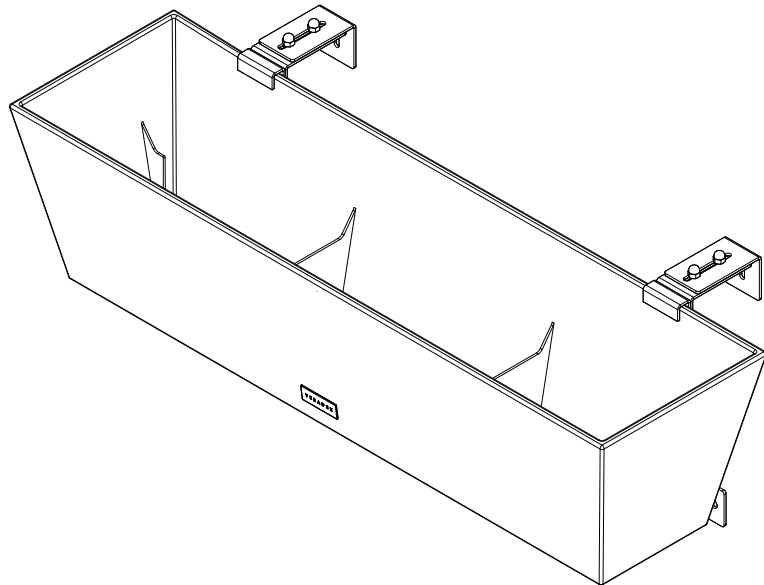


4x Nut



1x Leveling Bar

complete



assemble.
arrange.
transform.

your living
space
extended.

V
|
O



01 Midland - 02 Kona Bowl - 03 Kobo - 04 Midori -
05 Nobleton - 06 Window Box - 07 Kona - 08 Lane Bowl

about the pure series

At Veradek Outdoor, we know harsh weather! Designed and made in Canada, Pure Series planters use a patented crack-proof plastic composite that gives these planters flexibility, impact resistance, and are specially treated with UV inhibitors to provide fade resistance. In addition, all Pure Series planters come with a 5-year warranty against weather-related splitting and cracking so you can set it, forget it, and get back to sipping on lemonade while you work on that tan!

Check out more Pure Series products at [veradek.com](https://www.veradek.com)
Questions? Email info@veradek.com

meet you
outside.