

corten series pedestal & span instructions














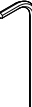
V
|
O

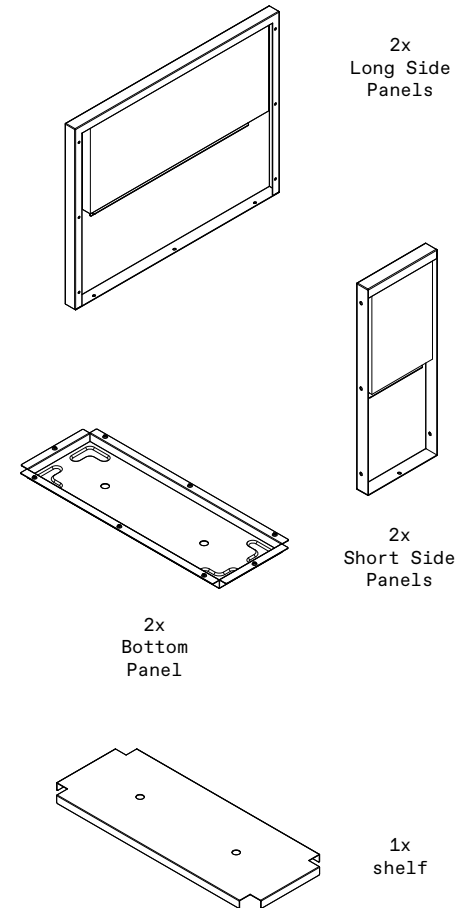
parts and components

* Although the Span Planter is shown in the diagrams, these instructions also apply to the Pedestal Planter.

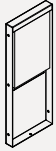


Corten Pedestal (left) and Span (right) Planter

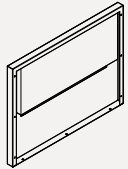
span short span medium pedestal short	pedestal tall	span large
 20x Nut	 24x Nut	 26x Nut
 8x Washer	 8x Washer	 10x Washer
 20x Bolt	 24x Bolt	 26x Bolt
 1x Allen Key	 1x Allen Key	 1x Allen Key



part a

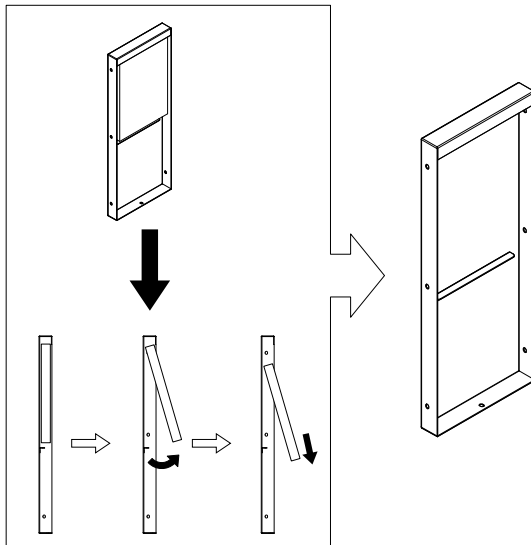


2x
Short Side
Panels



2x
Long Side
Panels

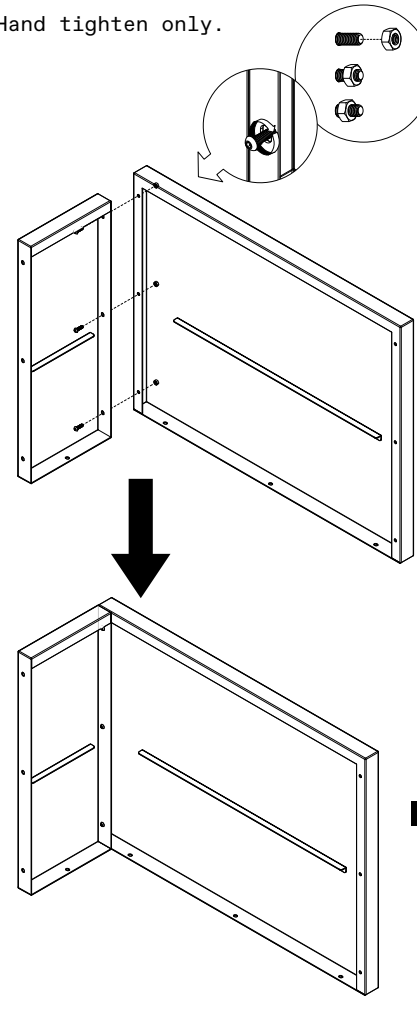
Remove the styrofoam from all of the panels – do not throw them away, you will need these later.



Fasten the panels together using the nuts and bolts provided.

Ensure that the bottom holes are facing downward.

Hand tighten only.



part b



12x
Bolt

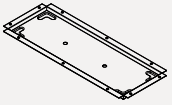


12x
Nut

part c

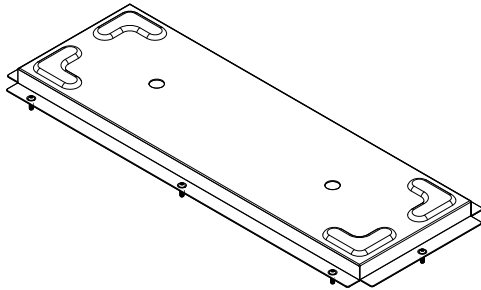
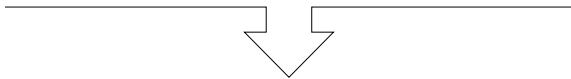
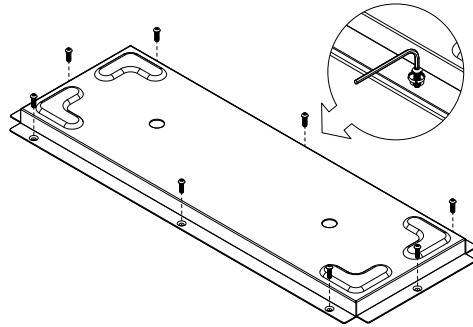


8x
Bolt



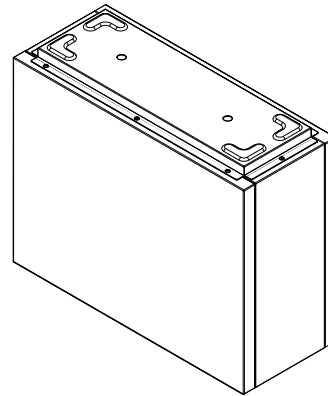
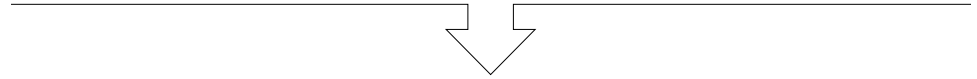
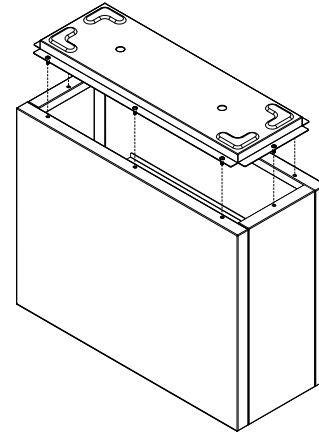
1x
Bottom
Panel

Screw bolts into the bottom panel (the feet of the planter should be facing up).



part d

Place bottom panel (with the bolts screwed in) onto the bottom of the planter.



part e



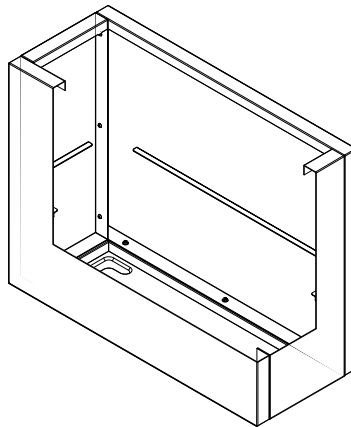
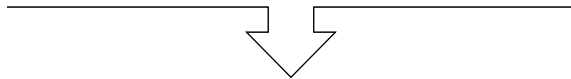
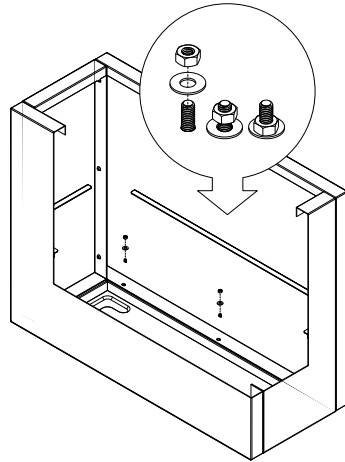
8x
Nut



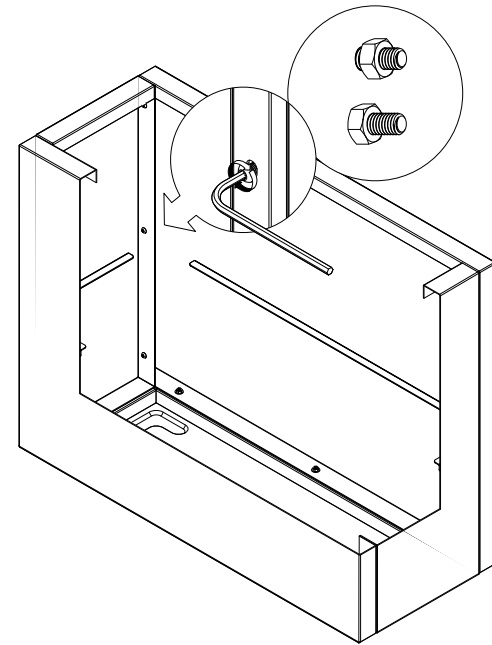
8x
Washer

Place planter upright.

Install a washer
and nut over the
bolts and tighten.

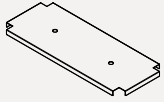


part f



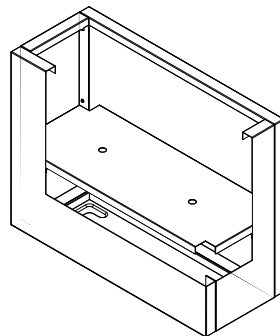
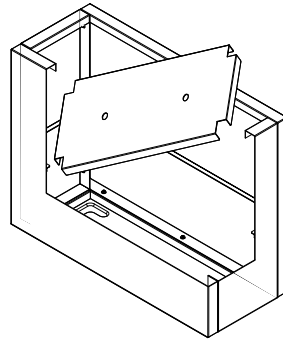
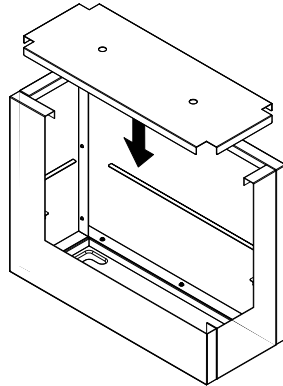
Tighten all nuts
and bolts with the
supplied allen key.

part g



1x
Bottom
Panel

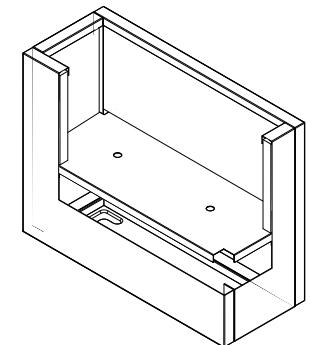
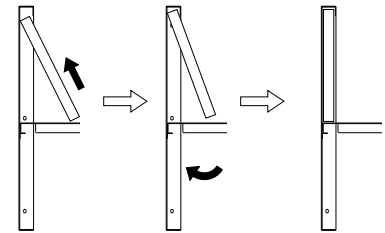
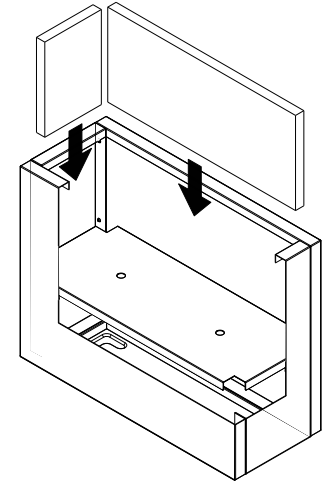
Insert the shelf
into the planter
at an angle.



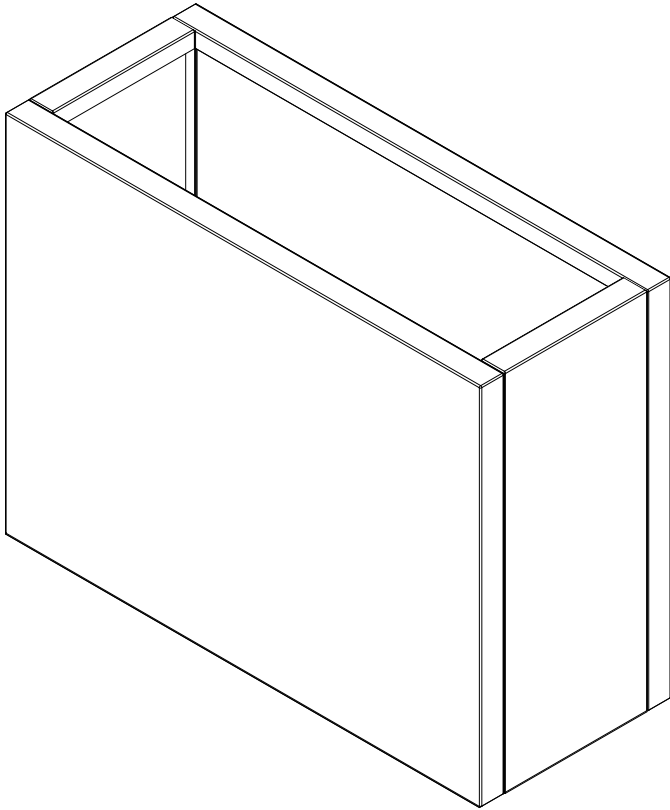
part h

Place foam back
into the panels.

The styrofoam acts
as insulation against
extreme heat and cold.



complete



assemble.
arrange.
transform.

your living
space
extended.

V
|
O



01 Corner Box - 02 Round Bowl - 03 Cube - 04 Long Box -
05 Garden Bed - 06 Window Box/Railing Planter - 07 Pedestal -
08 Span - 09 Square Bowl

about the corten steel series

Introduce rich, warm color and timeless aesthetic to your home with Veradek Outdoor Corten Steel rusted planters. Crafted from thick-gauge, fully seam-welded Corten Steel, these planters are crack-proof and designed to be left outdoors year-round in both commercial and residential settings. Like a fine wine, Corten Series planters develop a protective rust patina that matures and deepens over time.

Share your creations with [#myveradek](#)

Check out more Corten Steel Series products at [veradek.com](https://www.veradek.com)

Questions? Email info@veradek.com

meet you
outside.