

corten series pedestal instructions



V
|
O



parts and components

pedestal
short



12x
Wing Nuts



20x
Bolts



8x
Floating
Nuts



1x
Allen
Key

pedestal
tall



16x
Wing Nuts



24x
Bolts

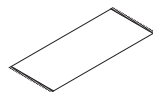


8x
Floating
Nuts

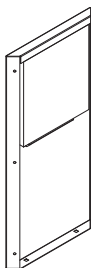


1x
Allen
Key

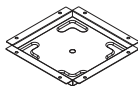
Not Included



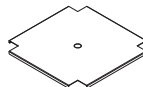
Soft
Working
Surface



4x
Side Panels



1x
Bottom Panel

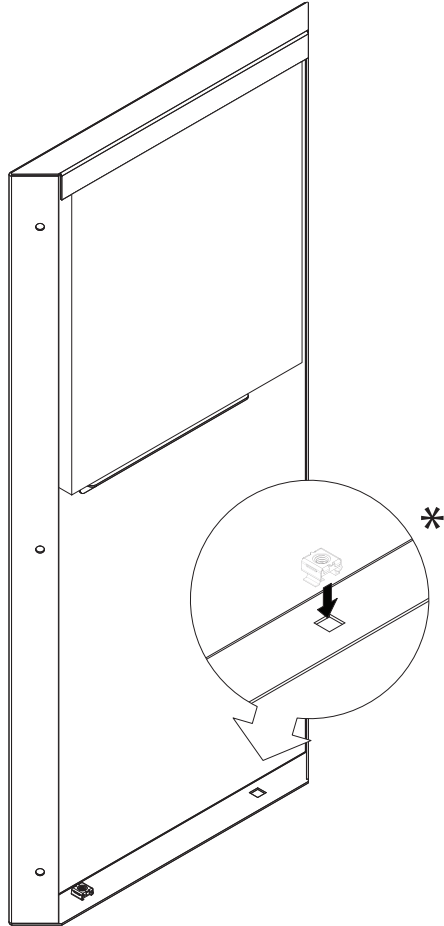


1x
shelf

attention:

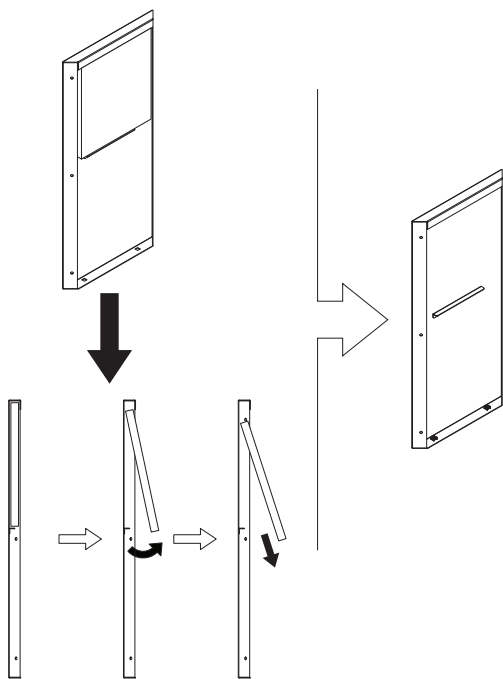
*In transit, the floating nuts may become dislodged.

They can be easily reinstalled by snapping them back into place.



part a

Remove the styrofoam from all of the panels – do not throw them away, you will need these later.



4x
Side Panels



8x
Floating
Nuts

part b



4x
Side Panels

pedestal short



12x
Bolts



12x
Wing Nuts

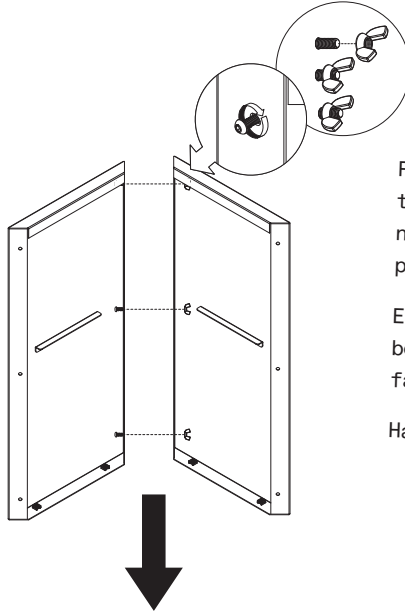
pedestal tall



16x
Bolts



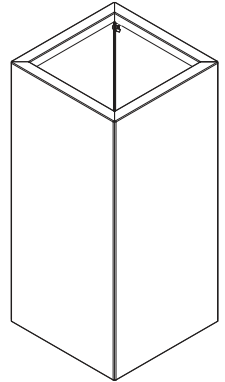
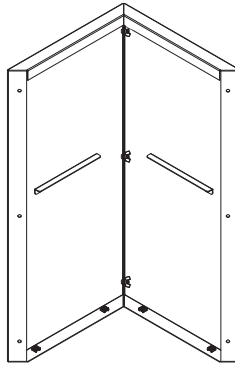
16x
Wing Nuts



Fasten all panels together using the nuts and bolts provided.

Ensure that the bottom holes are facing downward.

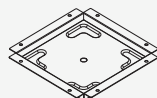
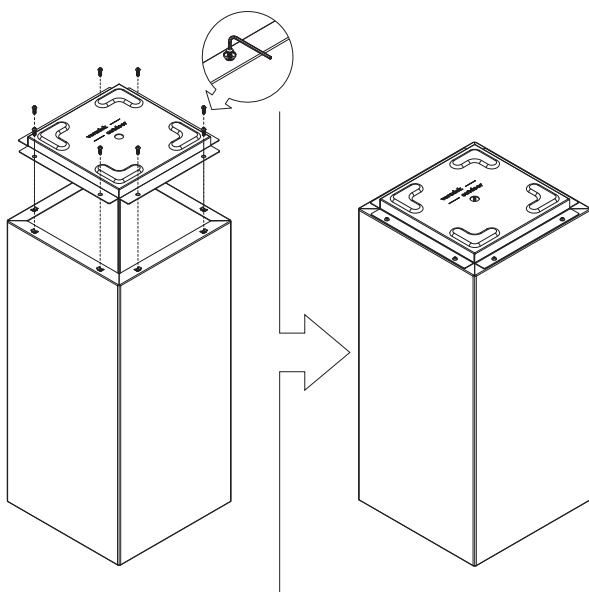
Hand tighten only.



part c

Flip the body over so the bottom panel holes are facing up.

Connect the bottom panel to the main body. Screw bolts into floating nuts and tighten.



1x
Bottom Panel

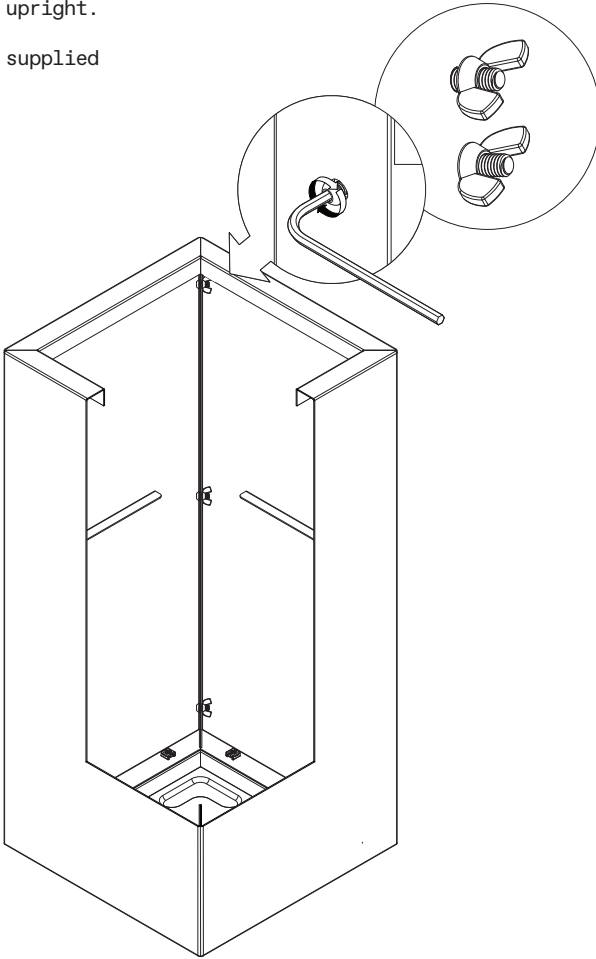


8x
Bolts

part d

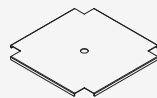
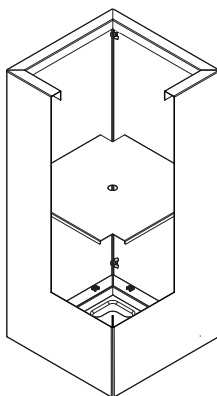
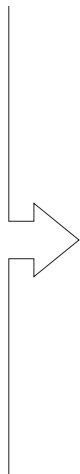
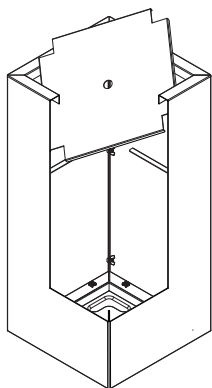
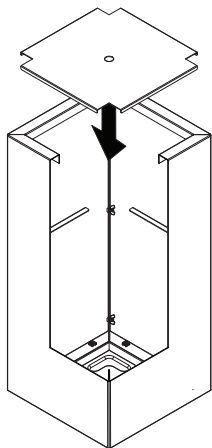
Flip the planter upright.

Tighten with the supplied allen key.



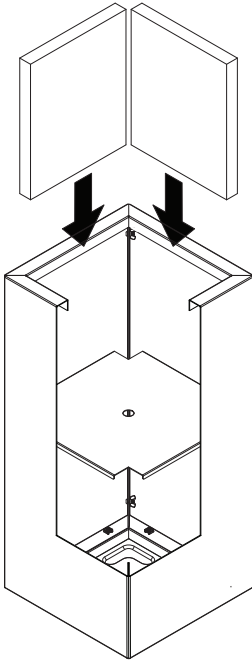
part e

Insert the shelf into the planter at an angle.



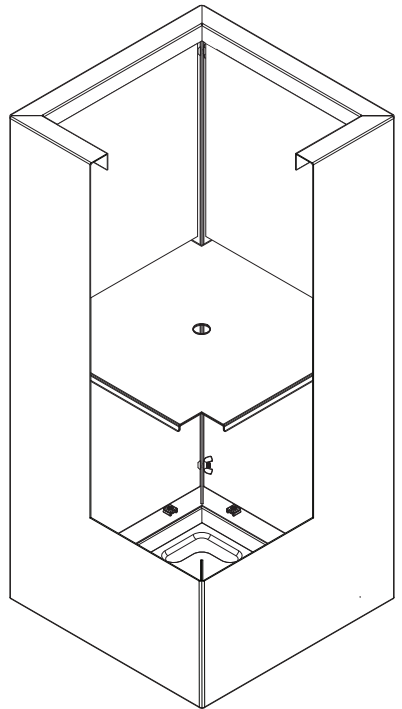
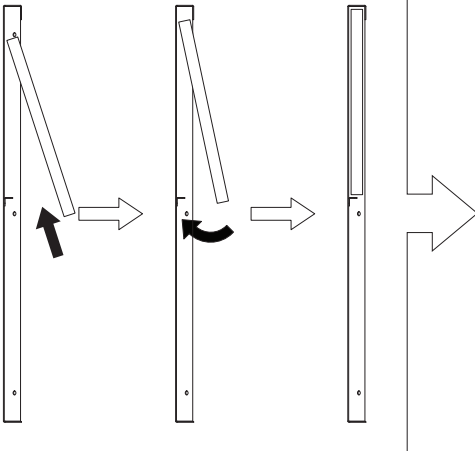
1x
shelf

part f

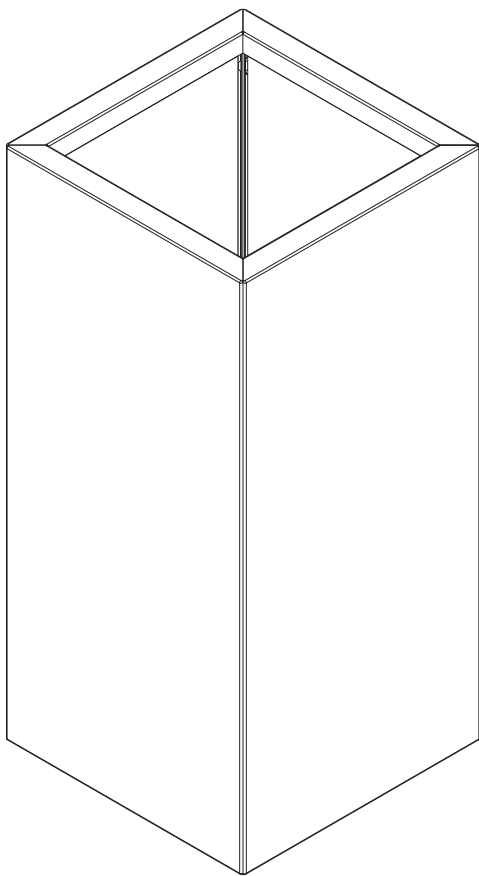


Place foam back into the panels.

The styrofoam acts as insulation against extreme heat and cold.



complete





assemble.
arrange.
transform.

your living
space
extended.



01 Corner Box - 02 Round Bowl - 03 Cube - 04 Long Box -
05 Garden Bed - 06 Window Box/Railing Planter - 07 Pedestal -
08 Span - 09 Square Bowl

about the corten steel series

Introduce rich, warm color and timeless aesthetic to your home with Veradek Outdoor Corten Steel rusted planters. Crafted from thick-gauge, fully seam-welded Corten Steel, these planters are crack-proof and designed to be left outdoors year-round in both commercial and residential settings. Like a fine wine, Corten Series planters develop a protective rust patina that matures and deepens over time.

Share your creations with **#myveradek**

Check out more Corten Steel Series products at **veradek.com**

Questions? Email **info@veradek.com**

meet you
outside.