

# corten series long box instructions



V  
|  
O



# parts and components

long box  
small



long box  
medium

8x  
Wing  
Nuts

16x  
Bolts

8x  
Floating  
Nuts

1x  
Allen  
Key

long box  
large



8x  
Wing  
Nuts

18x  
Bolts

10x  
Floating  
Nuts

1x  
Allen  
Key

long box  
extra large



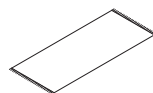
8x  
Wing  
Nuts

22x  
Bolts

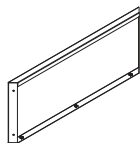
14x  
Floating  
Nuts

1x  
Allen  
Key

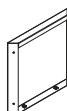
Not Included



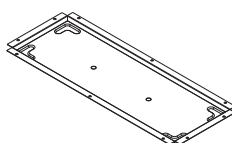
Soft  
Working  
Surface



2x  
Long Side  
Panels



2x  
Short Side  
Panels

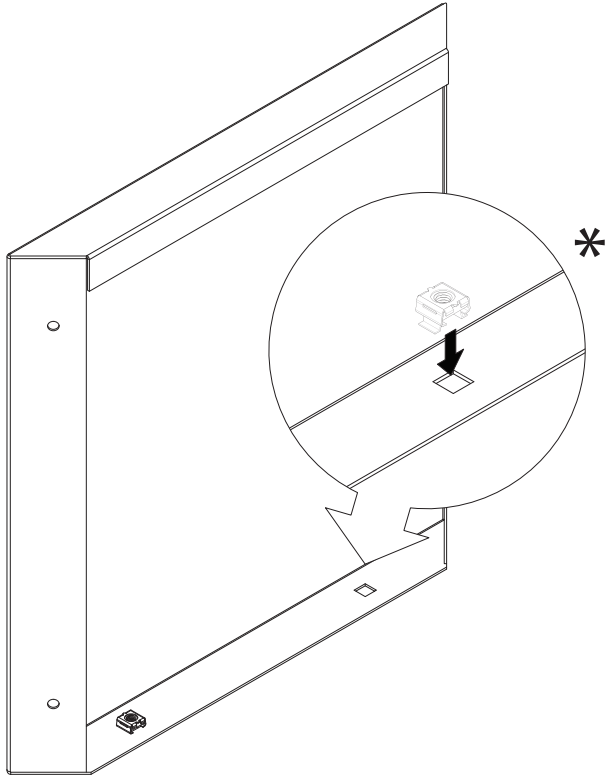


1x  
Bottom Panel  
Long

## attention:

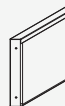
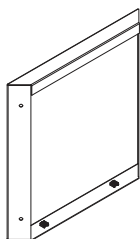
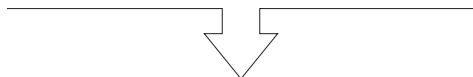
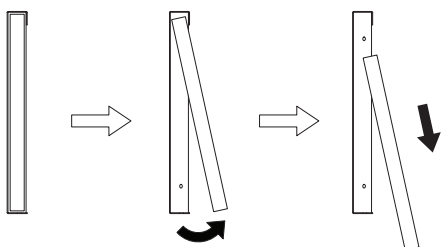
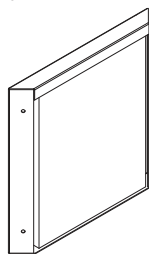
\* In transit, the floating nuts may become dislodged.

They can be easily reinstalled by snapping them back into place.

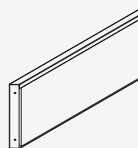


## part a

Remove the styrofoam from all of the panels – do not throw them away, you will need these later.



2x  
Short Side  
Panels



2x  
Long Side  
Panels

long box small  
long box medium



8x  
Floating  
Nuts

long box large



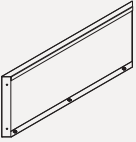
10x  
Floating  
Nuts

long box extra large

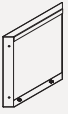


14x  
Floating  
Nuts

## part b



2x  
Long Side  
Panels



2x  
Short Side  
Panels



8x  
Bolts

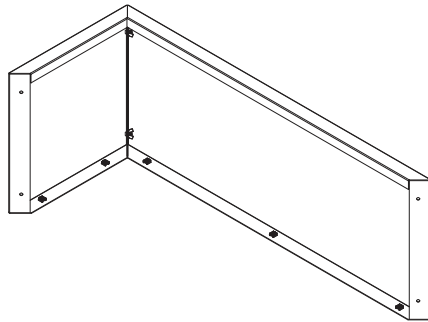
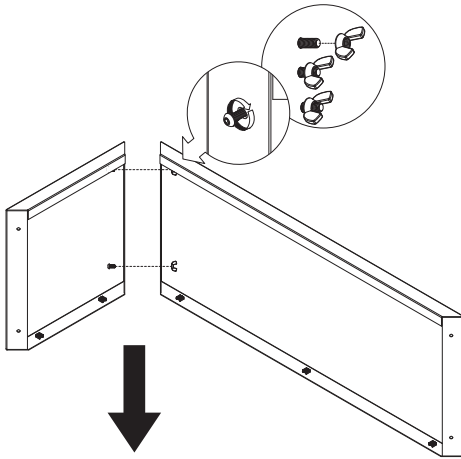


8x  
Wing  
Nuts

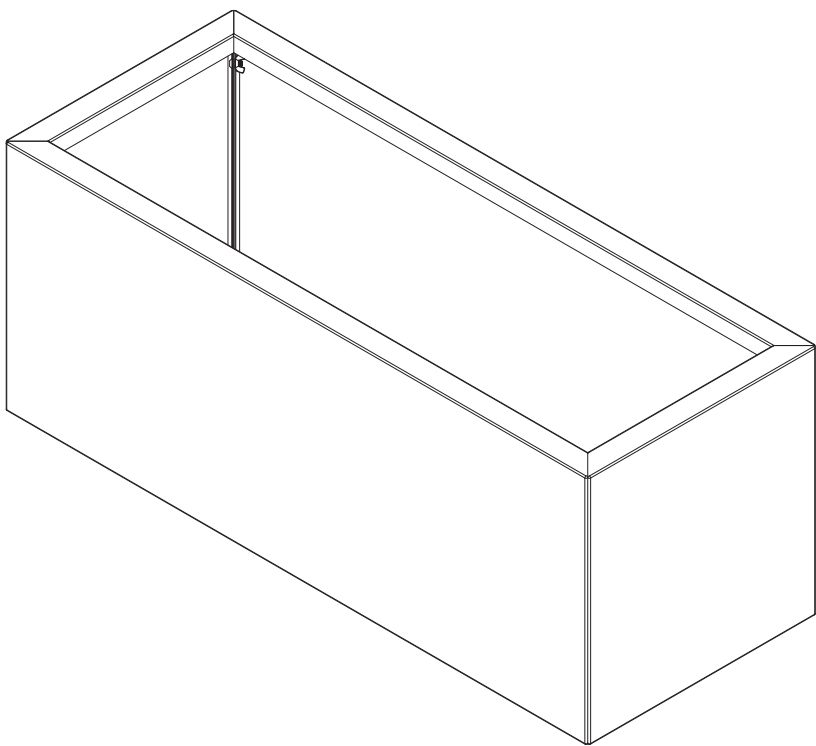
Fasten all panels together using the nuts and bolts provided.

Ensure that the bottom holes are facing downward.

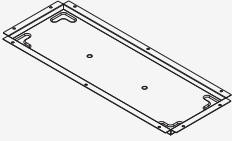
Hand tighten only.



**part b**  
**complete**



## part c



1x  
Bottom Panel  
Long

long box small  
long box medium



8x  
Bolts

long box large



10x  
Bolts

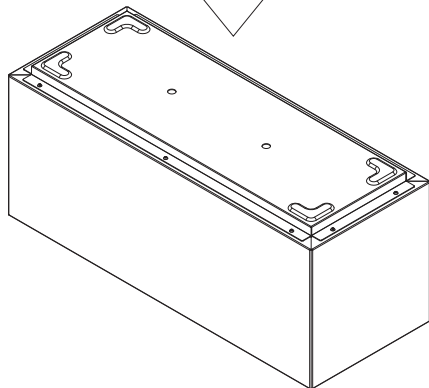
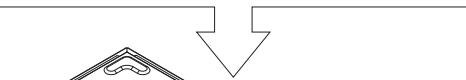
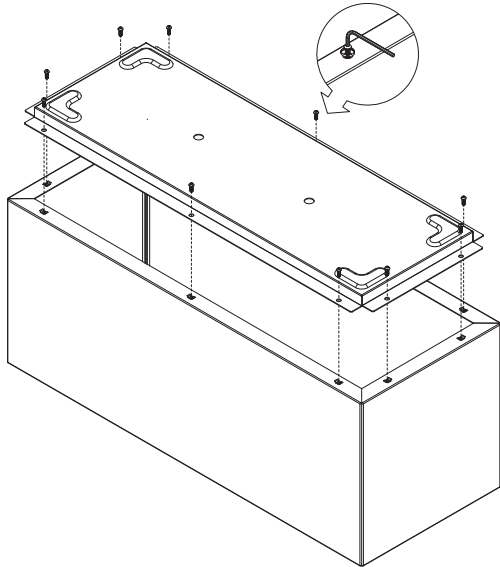
long box extra large



14x  
Bolts

Flip the body over so the bottom panel holes are facing up.

Connect the bottom panel to the main body. Screw bolts into floating nuts and tighten.

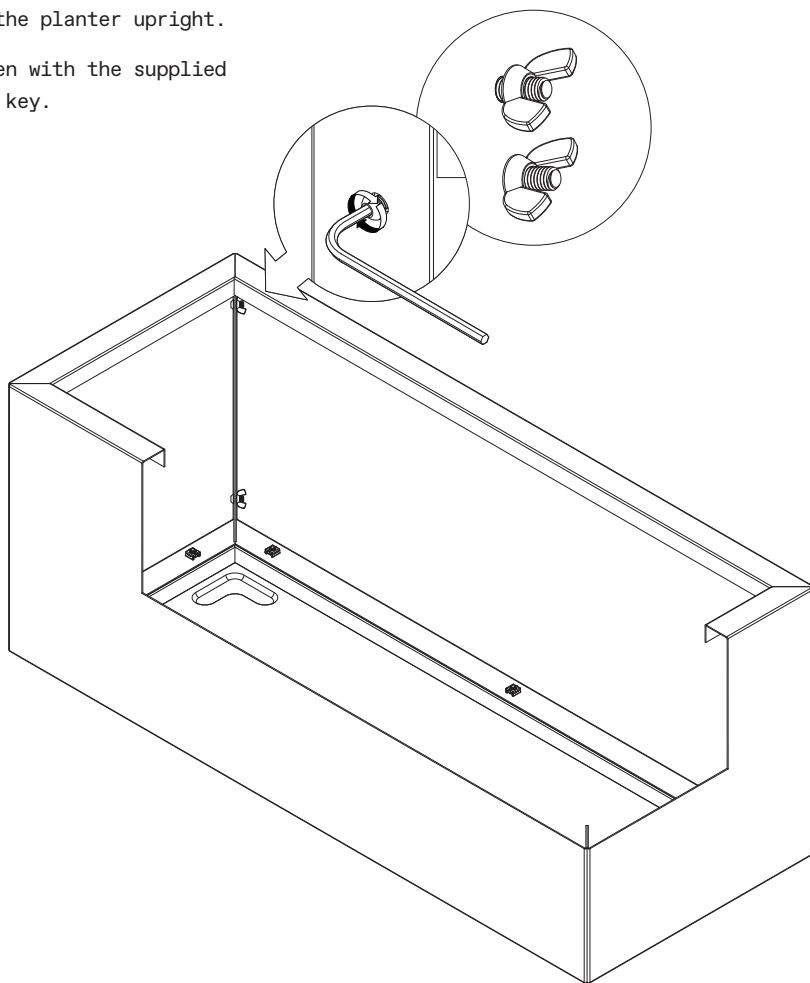




**part d**

Flip the planter upright.

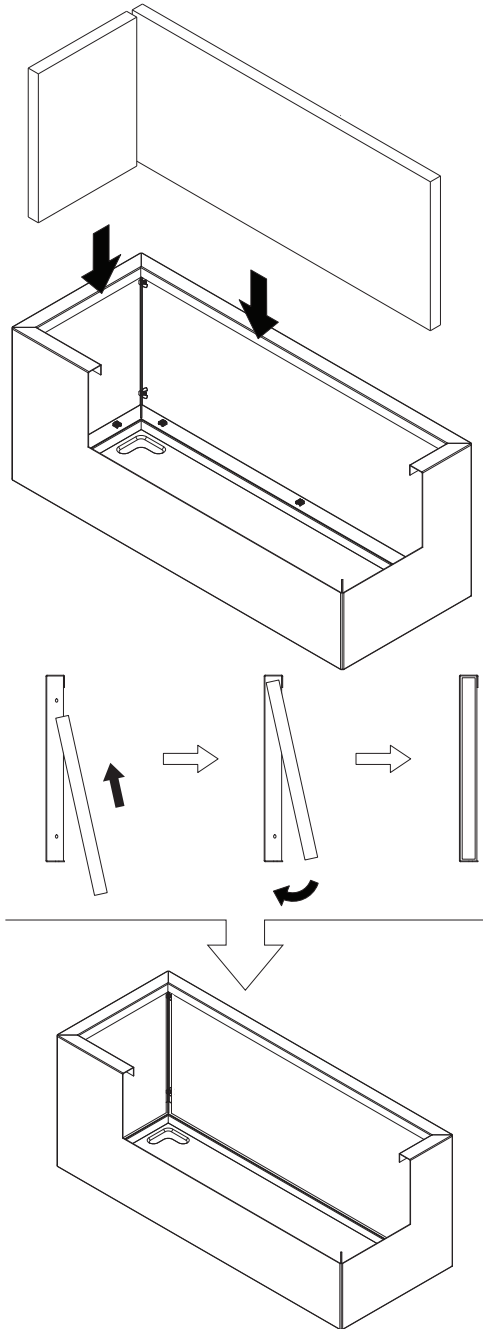
Tighten with the supplied allen key.



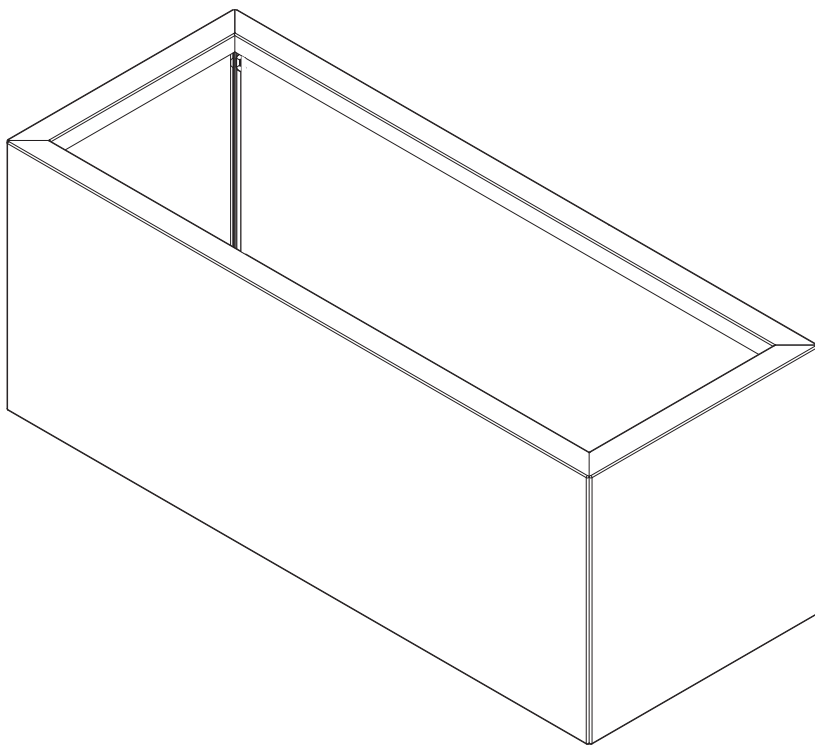
## part e

Place foam back  
into the panels.

The styrofoam acts as  
insulation against  
extreme heat and cold.



**complete**





assemble.  
arrange.  
transform.

your living  
space  
extended.



---

01 Corner Box - 02 Round Bowl - 03 Cube - 04 Long Box -  
05 Garden Bed - 06 Window Box/Railing Planter - 07 Pedestal -  
08 Span - 09 Square Bowl



---

# about the corten steel series

---

Introduce rich, warm color and timeless aesthetic to your home with Veradek Outdoor Corten Steel rusted planters. Crafted from thick-gauge, fully seam-welded Corten Steel, these planters are crack-proof and designed to be left outdoors year-round in both commercial and residential settings. Like a fine wine, Corten Series planters develop a protective rust patina that matures and deepens over time.

Share your creations with **#myveradek**

Check out more Corten Steel Series products at **veradek.com**

Questions? Email **info@veradek.com**

meet you  
outside.