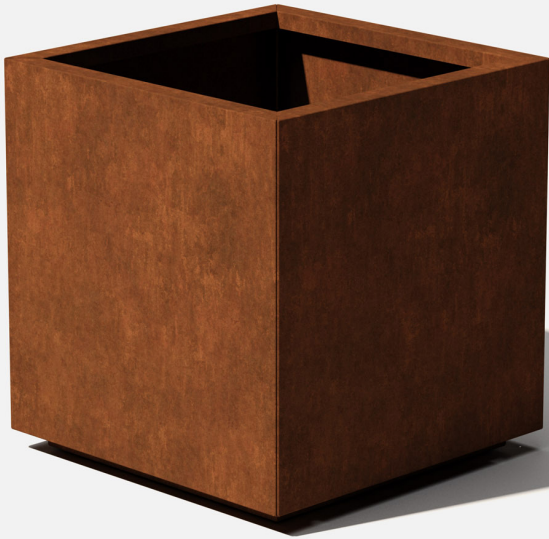


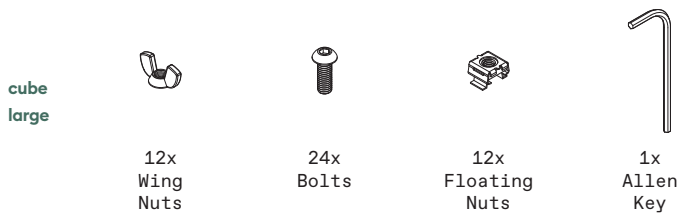
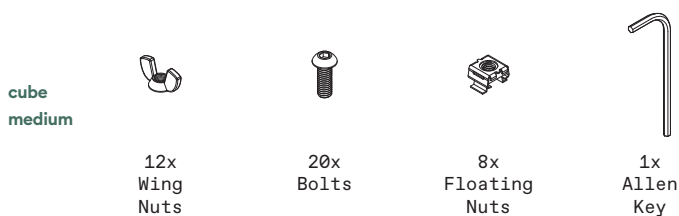
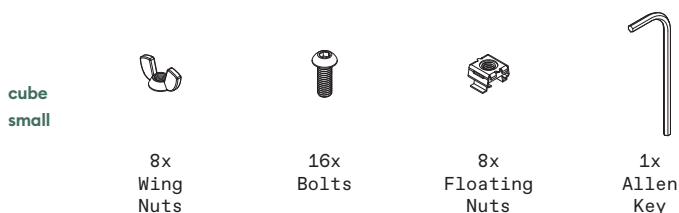
# corten series cube instructions



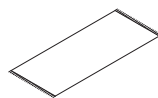
V  
|  
O



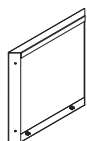
# parts and components



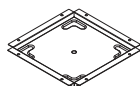
Not Included



Soft Working Surface



4x Side Panels

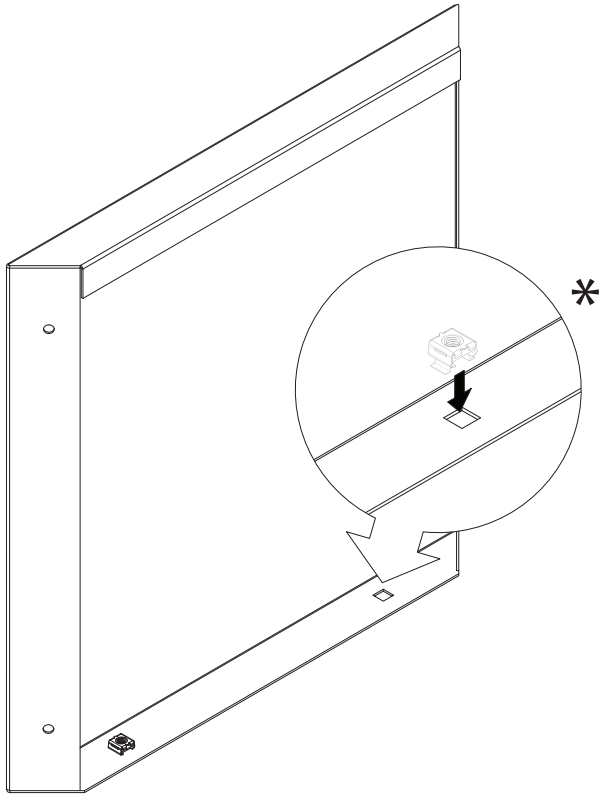


1x Bottom Panel

## attention:

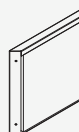
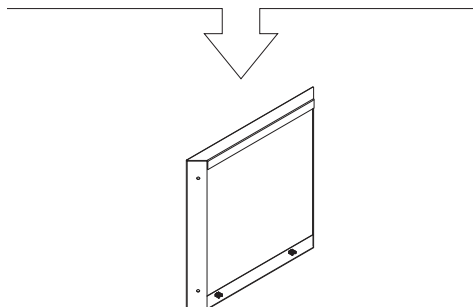
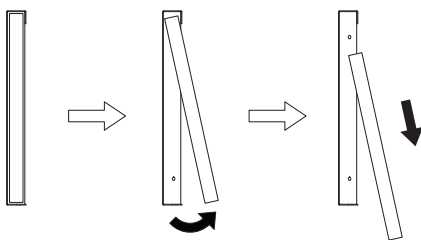
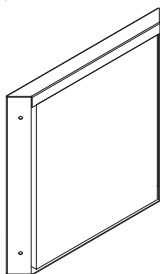
\* In transit, the floating nuts may become dislodged.

They can be easily reinstalled by snapping them back into place.



## part a

Remove the styrofoam from all of the panels – do not throw them away, you will need these later.



4x  
Side Panels

cube small  
cube medium



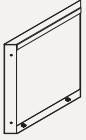
8x  
Floating  
Nuts

cube large



12x  
Floating  
Nuts

## part b



4x  
Side Panels

### cube small



8x  
Bolts



8x  
Wing  
Nuts

### cube medium cube large



12x  
Bolts

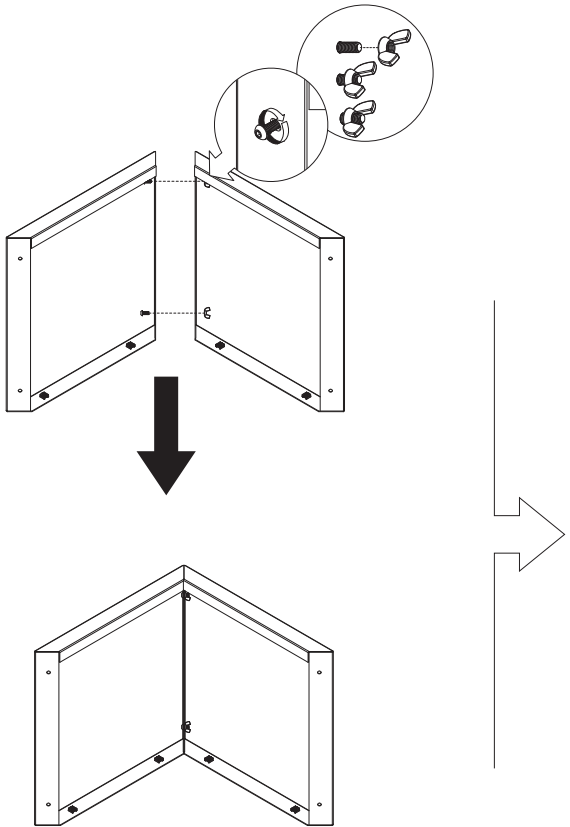


12x  
Wing  
Nuts

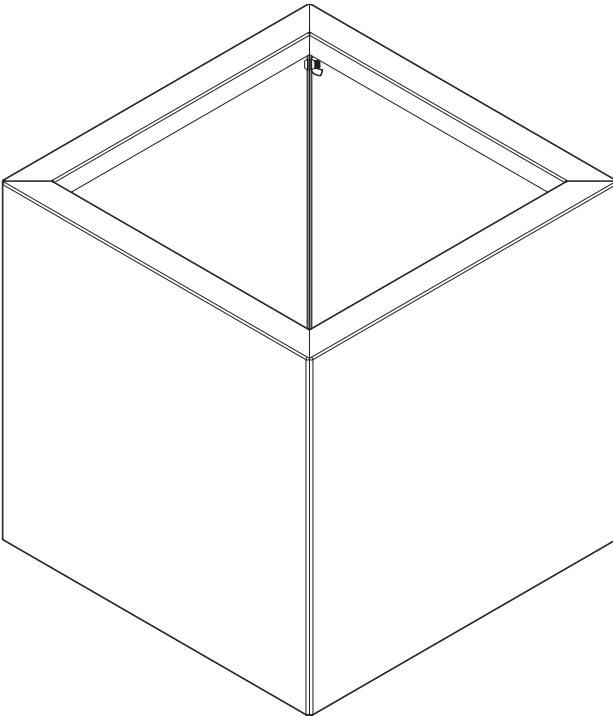
Fasten all panels together using the nuts and bolts provided.

Ensure that the bottom holes are facing downward.

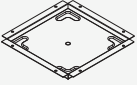
Hand tighten only.



**part b**  
**complete**



## part c



1x  
Bottom  
Panel

cube small  
cube medium



8x  
Bolts

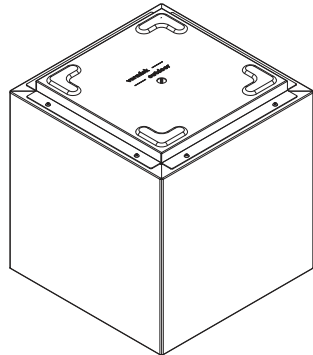
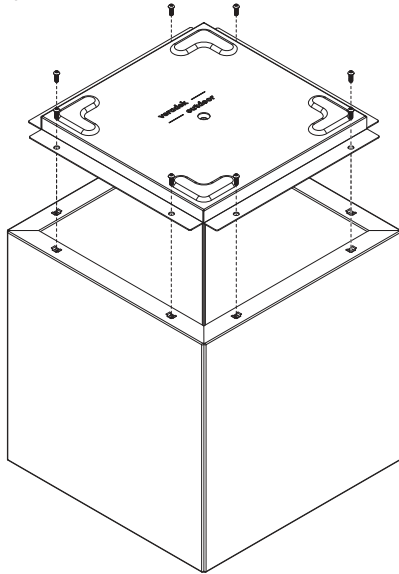
cube large



12x  
Bolts

Flip the body over so the bottom panel holes are facing up.

Connect the bottom panel to the main body. Screw bolts into floating nuts and tighten.

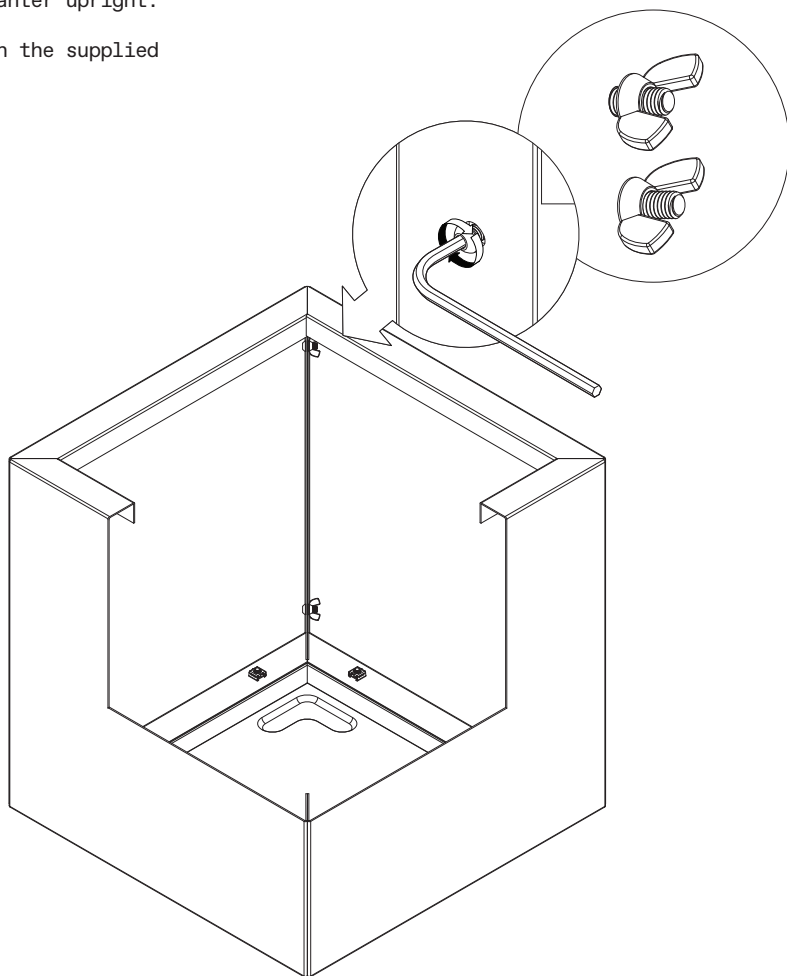




## part d

Flip the planter upright.

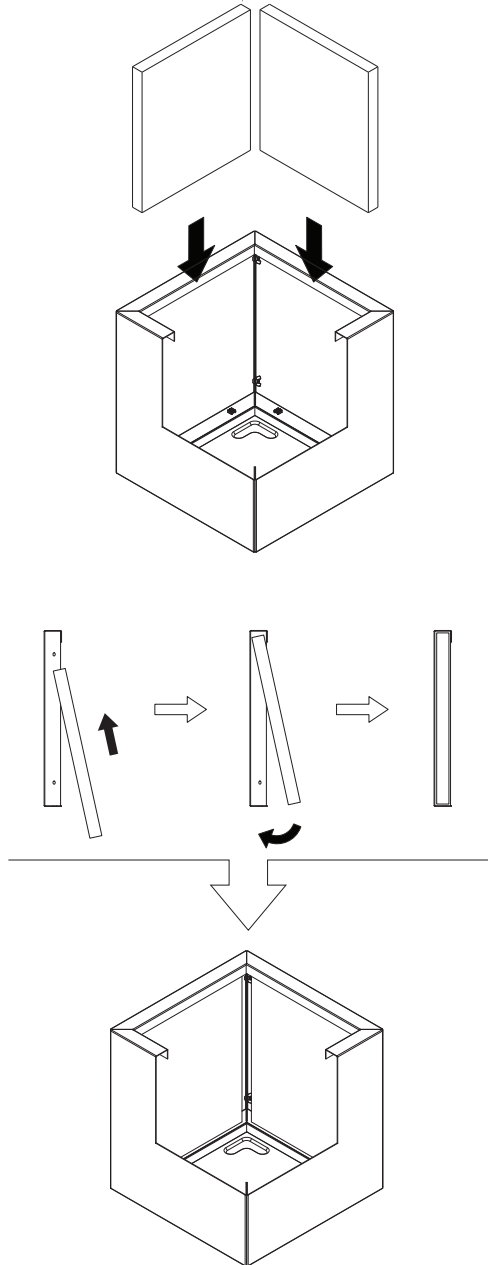
Tighten with the supplied allen key.



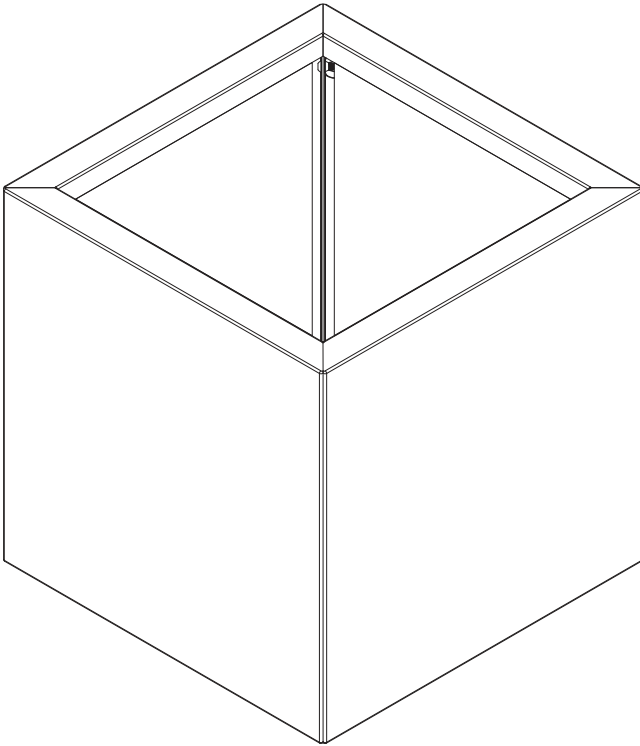
## part e

Place foam back  
into the panels.

The styrofoam acts as  
insulation against  
extreme heat and cold.



**complete**





assemble.  
arrange.  
transform.

your living  
space  
extended.



---

01 Corner Box - 02 Round Bowl - 03 Cube - 04 Long Box -  
05 Garden Bed - 06 Window Box/Railing Planter - 07 Pedestal -  
08 Span - 09 Square Bowl

---

# about the corten steel series

---

Introduce rich, warm color and timeless aesthetic to your home with Veradek Outdoor Corten Steel rusted planters. Crafted from thick-gauge, fully seam-welded Corten Steel, these planters are crack-proof and designed to be left outdoors year-round in both commercial and residential settings. Like a fine wine, Corten Series planters develop a protective rust patina that matures and deepens over time.

Share your creations with **#myveradek**

Check out more Corten Steel Series products at **veradek.com**

Questions? Email **info@veradek.com**

meet you  
outside.