

veradek — outdoor

brixton series window box instructions



V
|
O



parts and components



4x
Screw



4x
Cap Nut



4x
Bracket
Bolt



4x
Bracket
Screw



4x
Hex Nut

Not Included



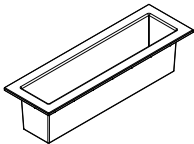
Phillips
Screwdriver



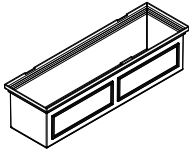
Adjustable
Wrench



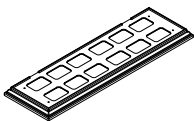
Soft
Working
Surface



1x
Planter
Basin



1x
Planter



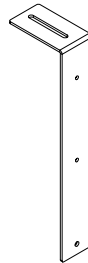
1x
Riser



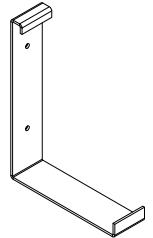
2x
Sliding
Bracket



1x
Leveling
Bar



2x
Railing
Bracket

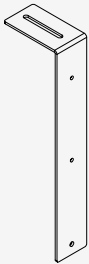


2x
Planter
Bracket

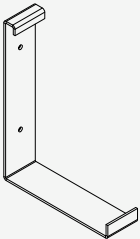
part a



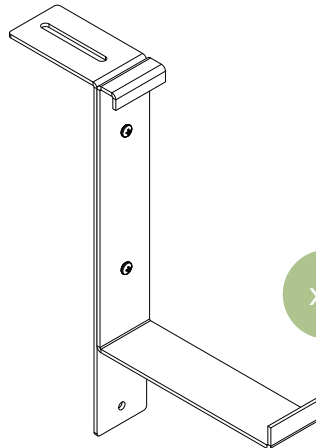
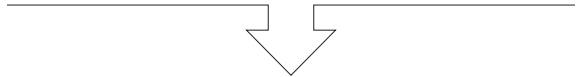
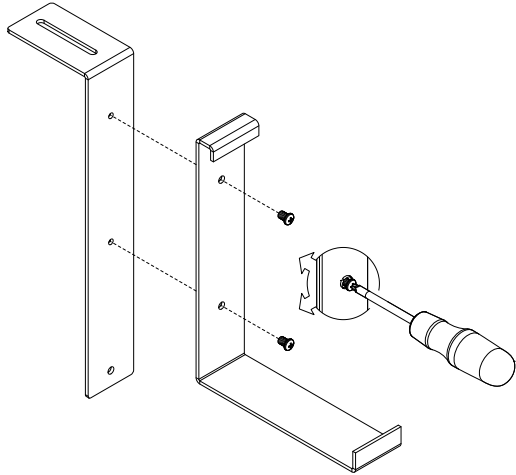
4x
Bracket
Screw



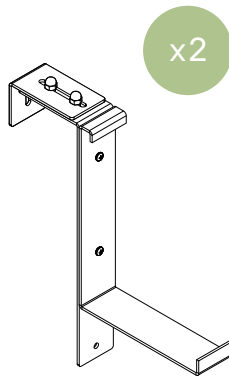
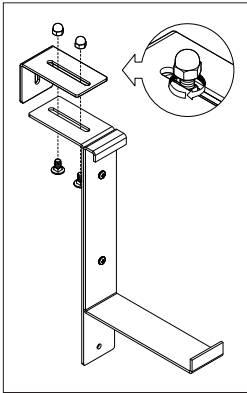
2x
Railing
Bracket



2x
Planter
Bracket



part b



4x
Cap Nut



4x
Bracket
Bolt

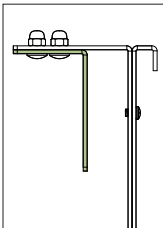


2x
Sliding
Bracket

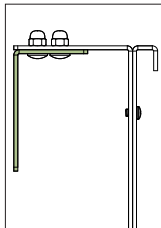
The mounting bracket can be configured in a small, medium, or large orientation to be mounted on railings 1" to 5.5" wide.

Please mount brackets based on your specific mounting needs.

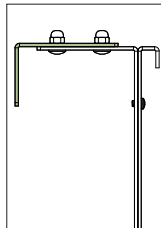
Small
1" - 1.5"



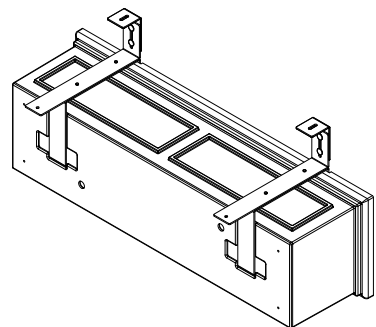
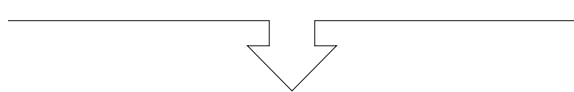
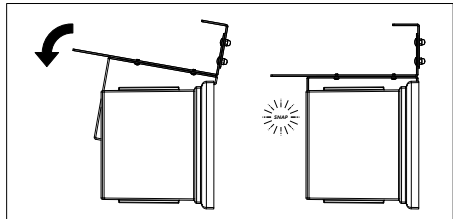
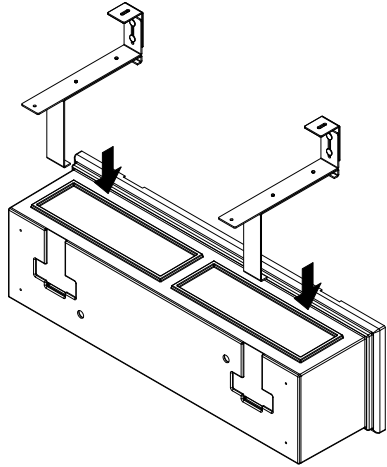
Medium
2" - 3.5"



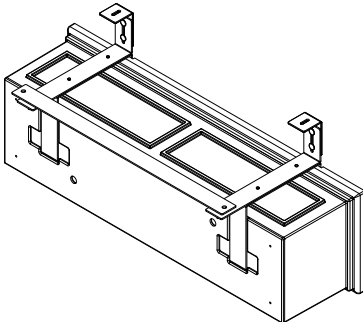
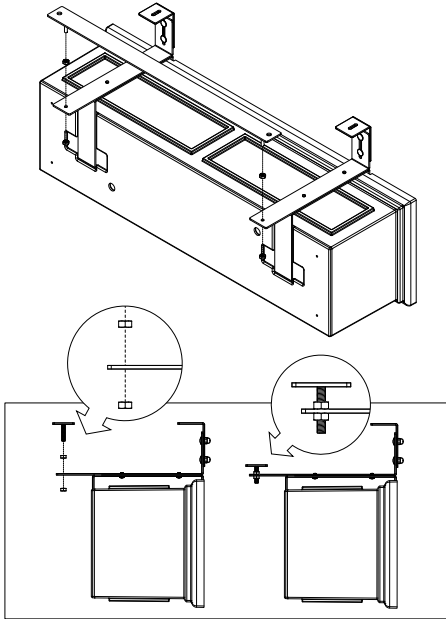
Large
3.5" - 5.5"



part c



part d



6x
Nut

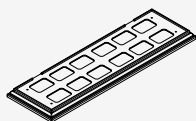


1x
Leveling
Bar

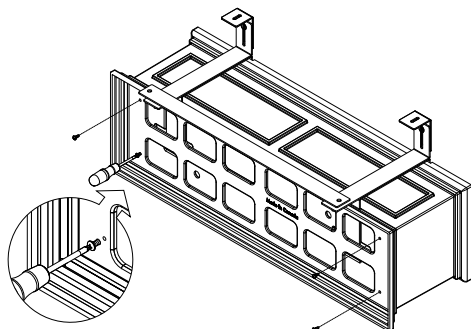
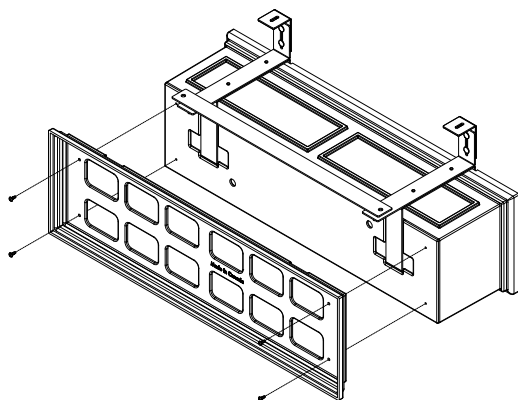
part e



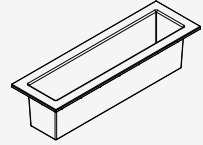
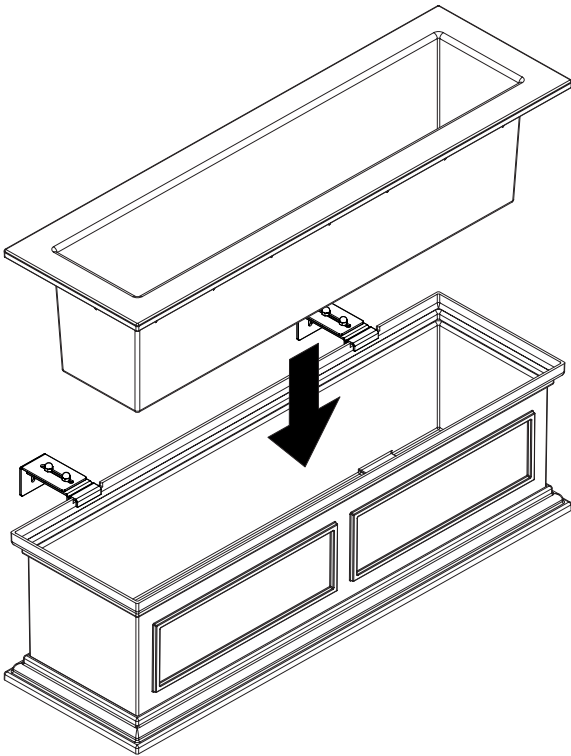
4x
Screw



1x
Riser



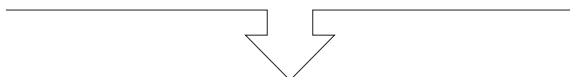
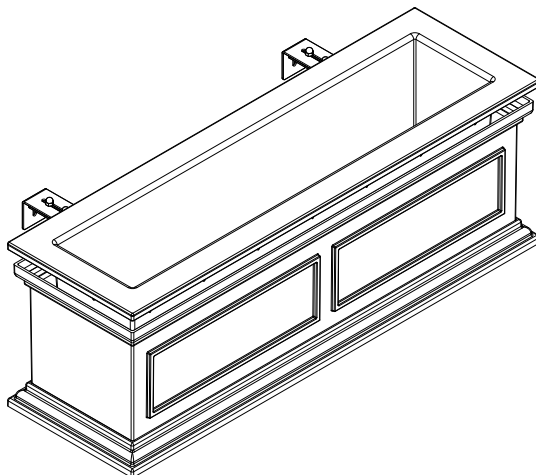
part f



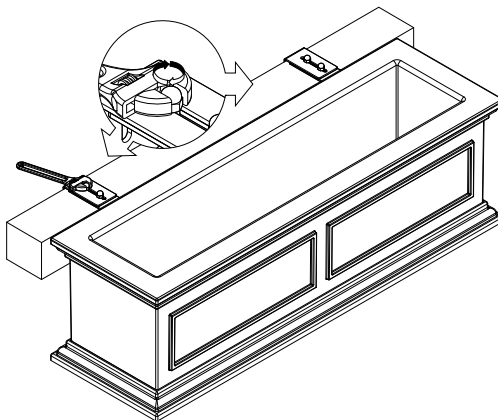
1x
Planter
Basin

part g

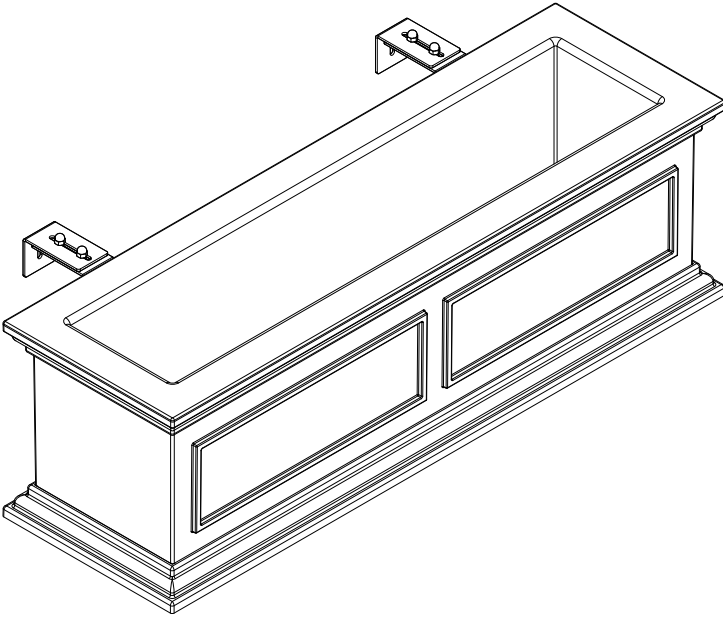
Press each corner
down firmly to secure.



Mount planter on railing prior to
adjusting sliding bracket, then
ensure all cap nuts are firmly secured.



complete



meet you
outside.

veradek — outdoor