






brixton series window box instructions






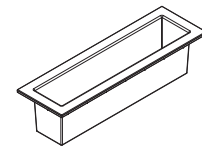
V
|
O

parts and components

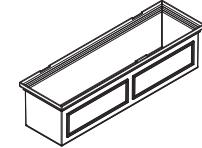
-  4x Screw
-  4x Cap Nut
-  4x Bracket Bolt
-  4x Bracket Screw
-  4x Nut

Not Included

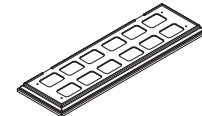
-  Phillips Screwdriver
-  Adjustable Wrench
-  Soft Working Surface



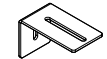
1x Planter Basin



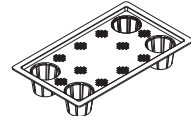
1x Planter



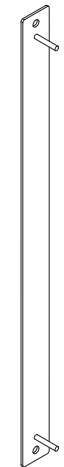
1x Riser



2x Sliding Bracket



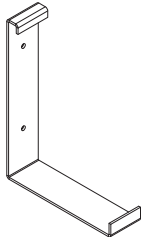
3x Self-Watering Tray



1x Leveling Bar



2x Railing Bracket

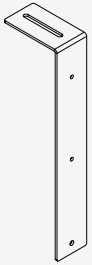


2x Planter Bracket

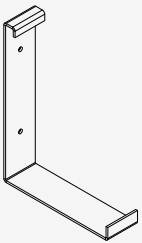
part a



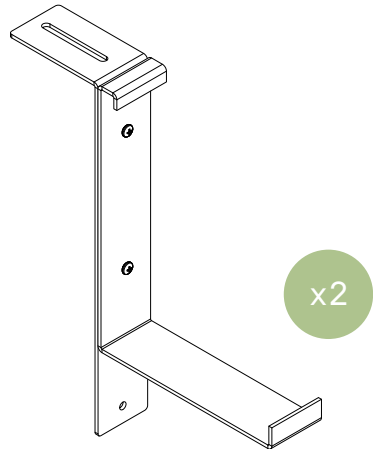
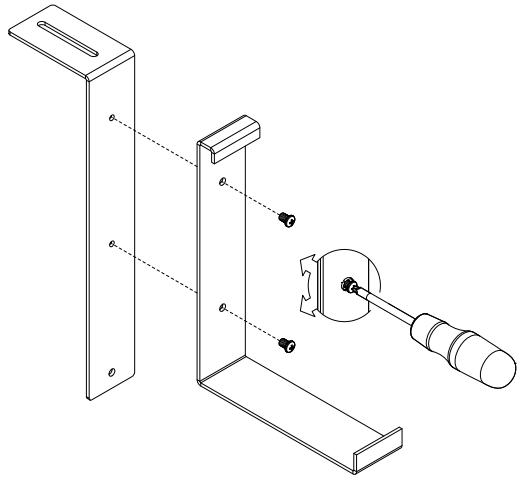
4x
Bracket
Screw



2x
Railing
Bracket



2x
Planter
Bracket



part b



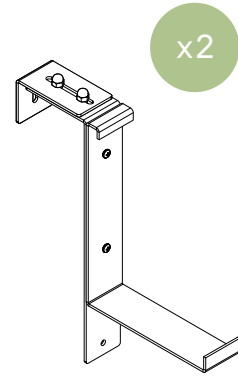
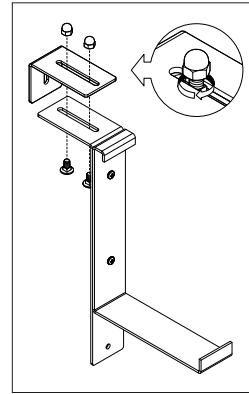
4x
Cap Nut



4x
Bracket
Bolt



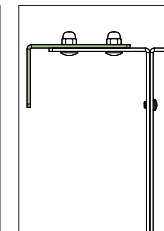
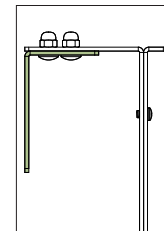
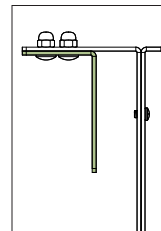
2x
Sliding
Bracket



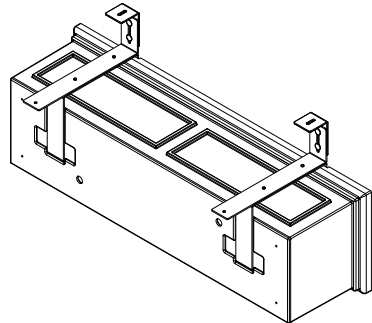
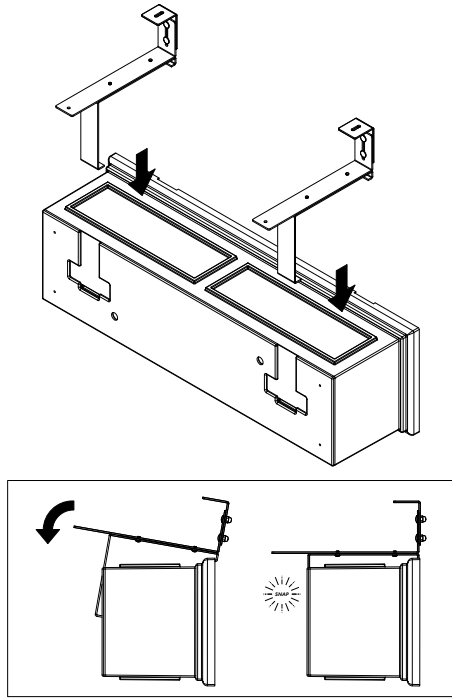
The mounting bracket can be configured in a small, medium, or large orientation to be mounted on railings 1" to 5.5" wide.

Please mount brackets based on your specific mounting needs.

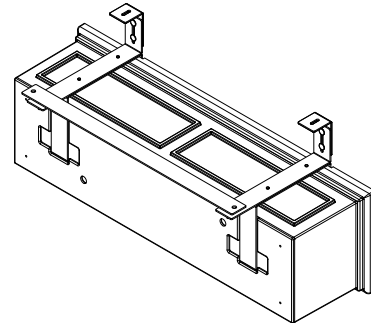
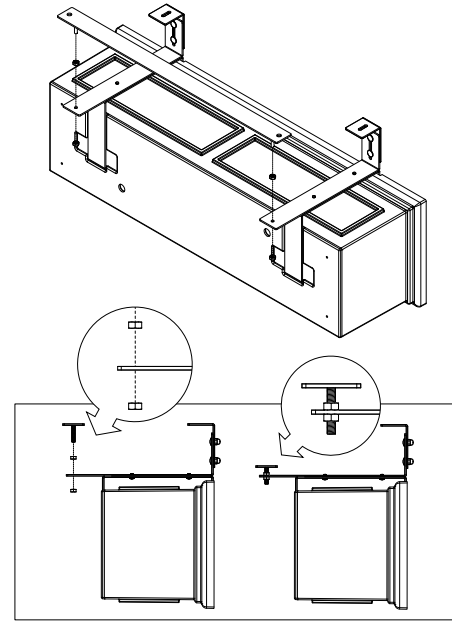
Small	Medium	Large
1" - 1.5"	2" - 3.5"	3.5" - 5.5"



part c



part d



6x
Nut

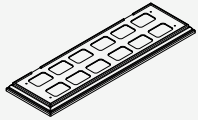


1x
Leveling
Bar

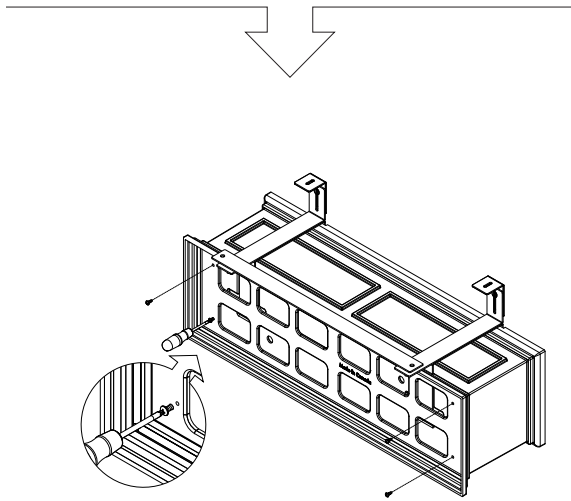
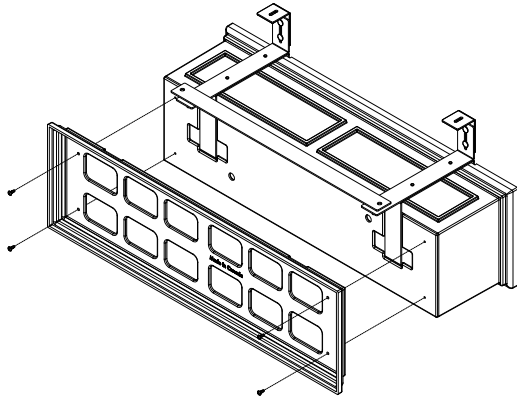
part e



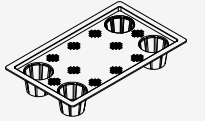
4x
Screw



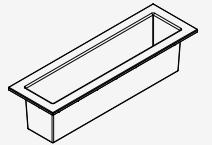
1x
Riser



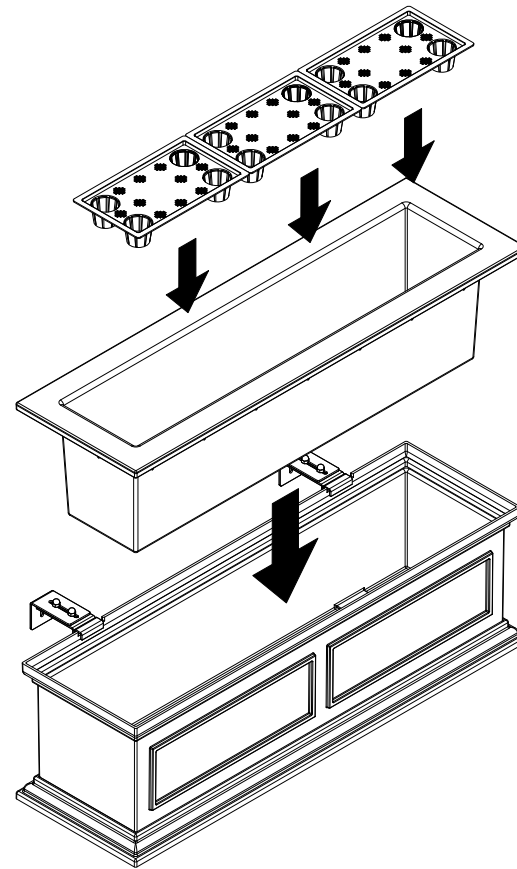
part f



3x
Self-Watering
Tray

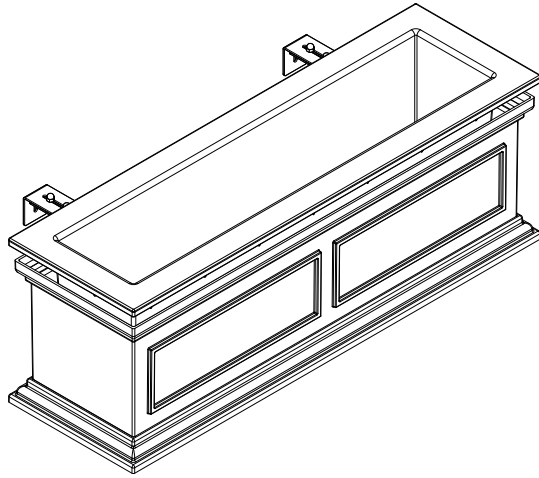


1x
Planter
Basin

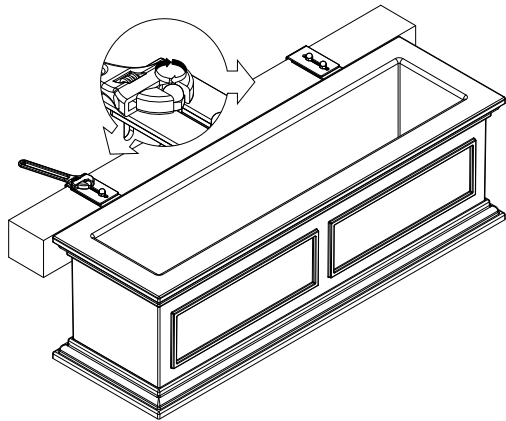


part g

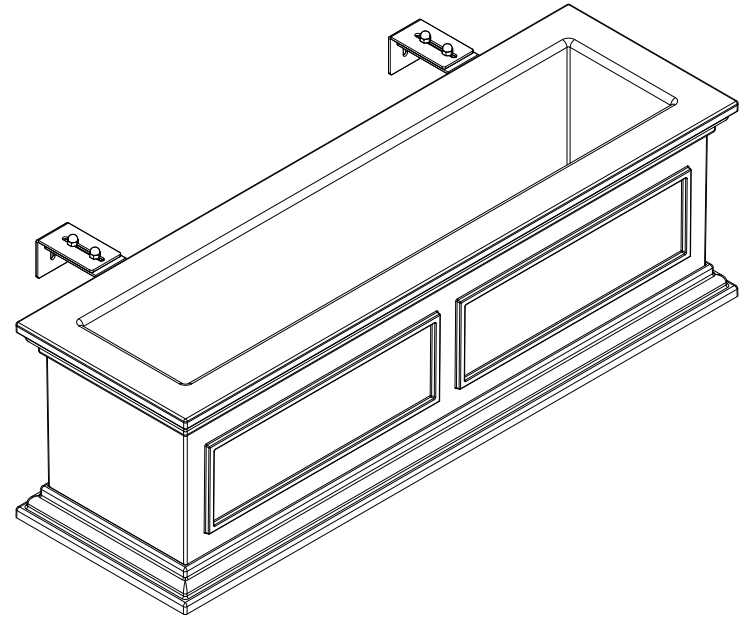
Press each corner
down firmly to secure.



Mount planter on railing prior to
adjusting sliding bracket, then
ensure all cap nuts are firmly secured.



complete



meet you
outside.