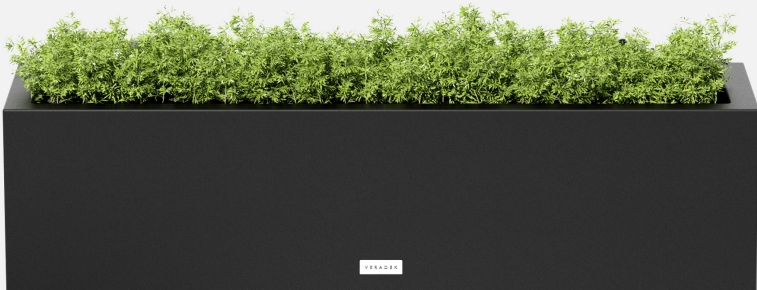
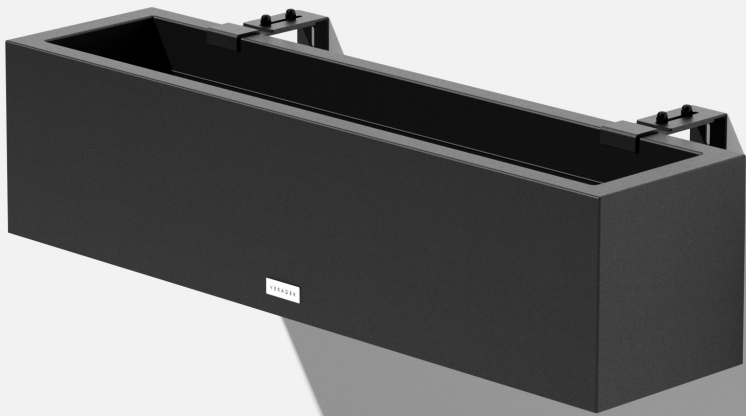


# block series railing planter instructions



V  
|  
O



# parts and components



4x  
Slider  
Bolt



4x  
Cap  
Nut

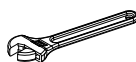


4x  
Screw

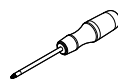


4x  
Hex  
Nut

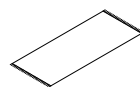
Not Included



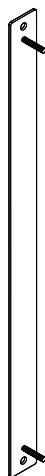
Wrench



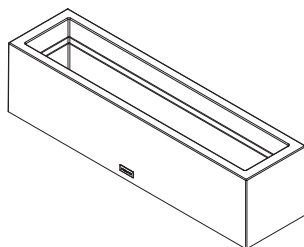
Phillips  
Screwdriver



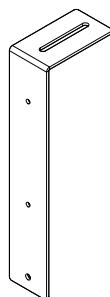
Soft Working  
Surface



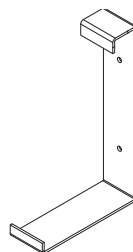
1x  
Leveling  
Bar



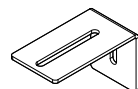
1x  
Planter



2x  
Railing  
Bracket



2x  
Planter  
Bracket

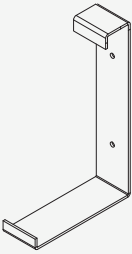


2x  
Sliding  
Bracket

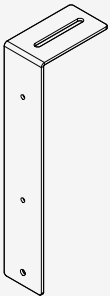
# part a



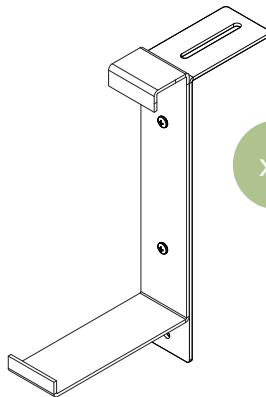
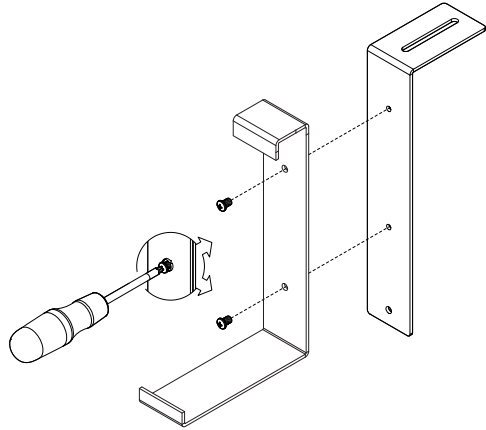
4x  
Screw



2x  
Planter  
Bracket

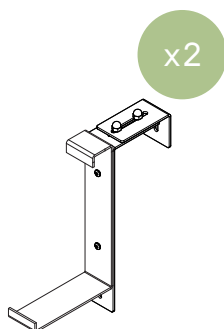
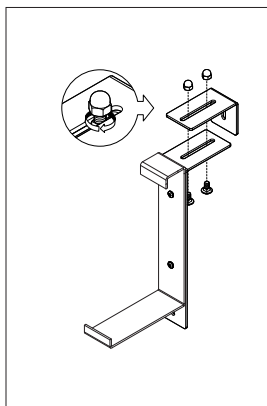


2x  
Railing  
Bracket



x2

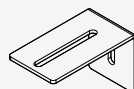
## part b



4x  
Cap  
Nut



4x  
Slider  
Bolt



2x  
Sliding  
Bracket

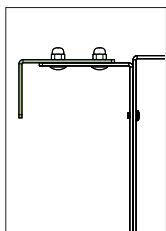
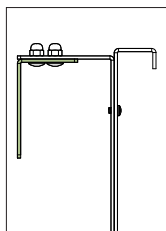
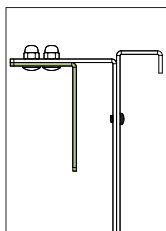
The mounting bracket can be configured in a small, medium, or large orientation to be mounted on railings 1" to 5.5" wide.

Please mount brackets based on your specific mounting needs.

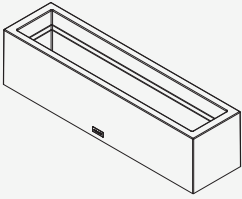
Small  
1" - 1.5"

Medium  
2" - 3.5"

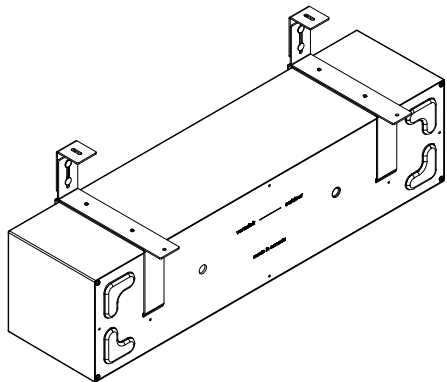
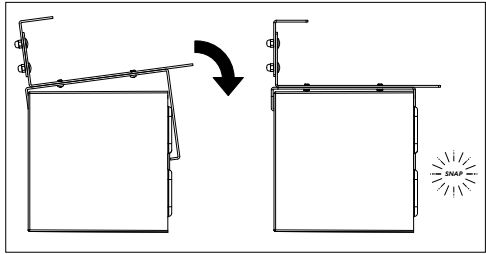
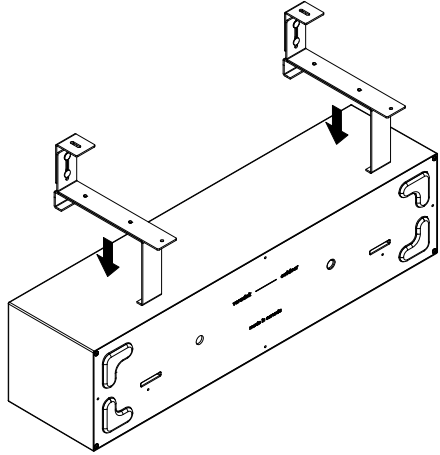
Large  
3.5" - 5.5"



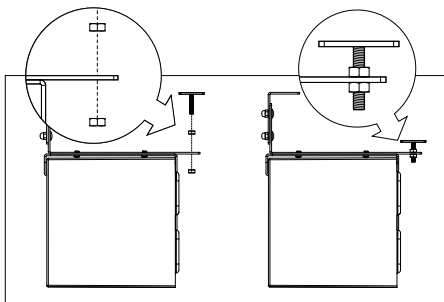
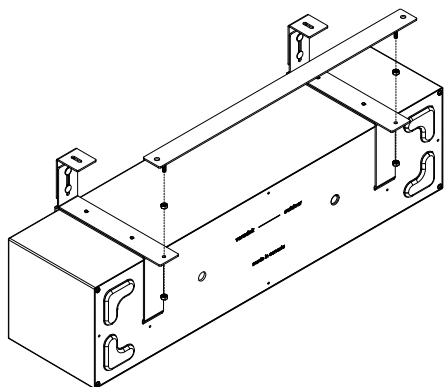
# part c



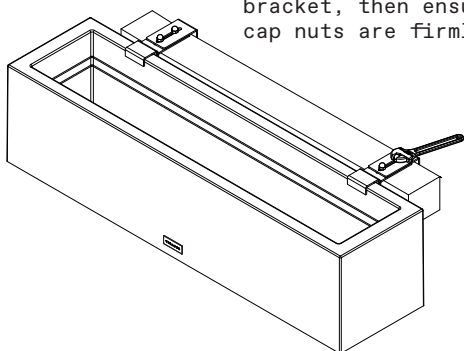
1x  
Planter



## part d



Mount planter on railing  
prior to adjusting sliding  
bracket, then ensure all  
cap nuts are firmly secured.

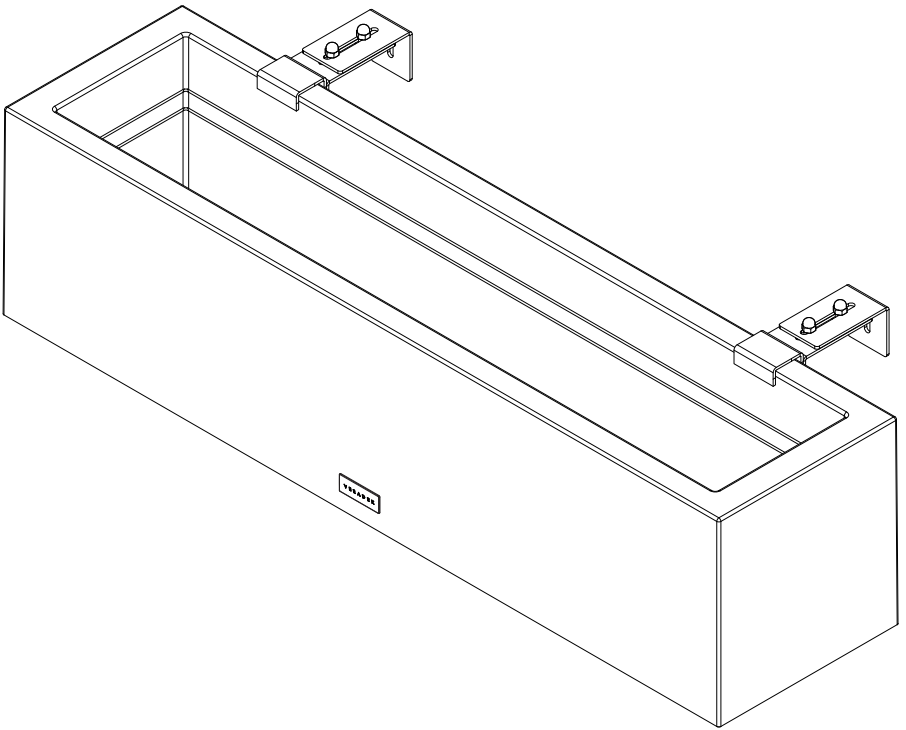


4x  
Hex  
Nut



1x  
Leveling  
Bar

# completed





assemble.  
arrange.  
transform.

your living  
space  
extended.

V  
|  
O



---

01 Pedestal - 02 Long Box - 03 Trough - 04 Cube - 05 Span

---

# about the block series

---

Block Series planters are not only artfully designed but are also built with quality that you can see and feel. Constructed from durable polypropylene, all Block Series planters are fully insulated and protected with a strong finish. Block Series planters are crack-proof and are designed to be left outdoors year-round in both commercial and residential settings. Pair your Block Series planter with our Drip Trays to prevent water runoff or even bring your planters indoors!

Check out more Block Series products at [veradek.com](https://www.veradek.com)

Questions? Email [info@veradek.com](mailto:info@veradek.com)

meet you  
outside.