

pure series

# window box planter

black



espresso



gray



## materials

durable polypropylene construction  
made in canada

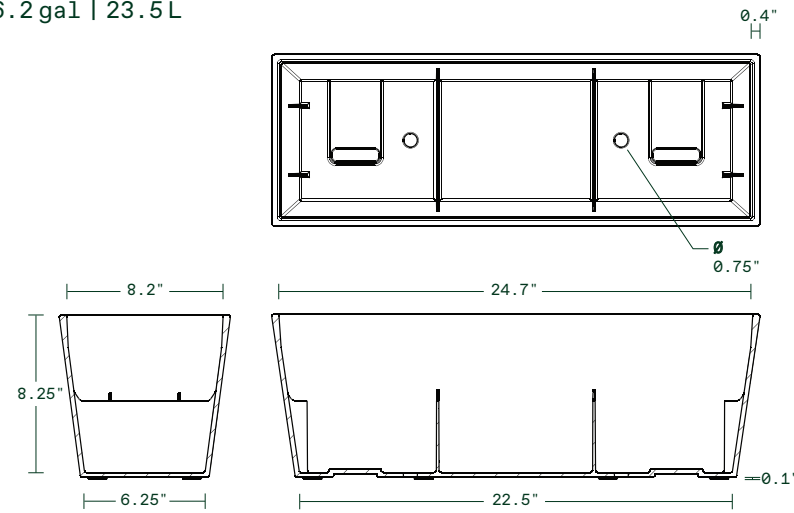
## features

all weather resistant  
scratch resistant  
fade resistant  
crack proof

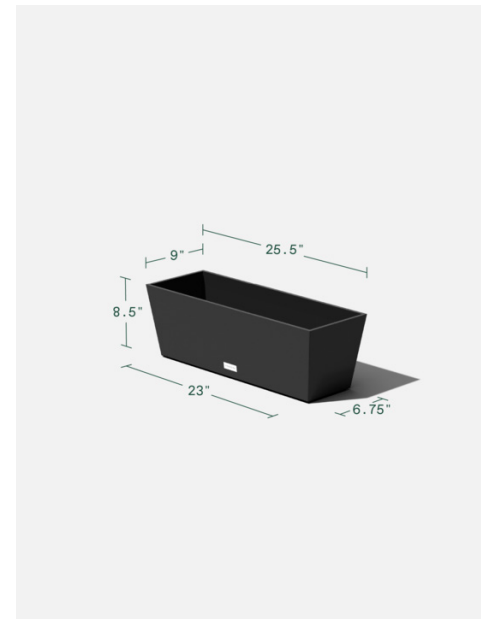
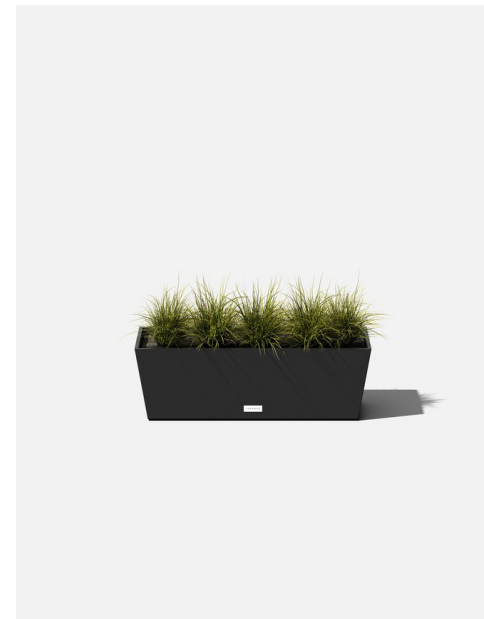
drainage holes  
5 year limited warranty

### window box twenty-five

25.5"L x 9"W x 8.5"H  
Weight: 6 lbs  
Capacity: 6.2 gal | 23.5 L



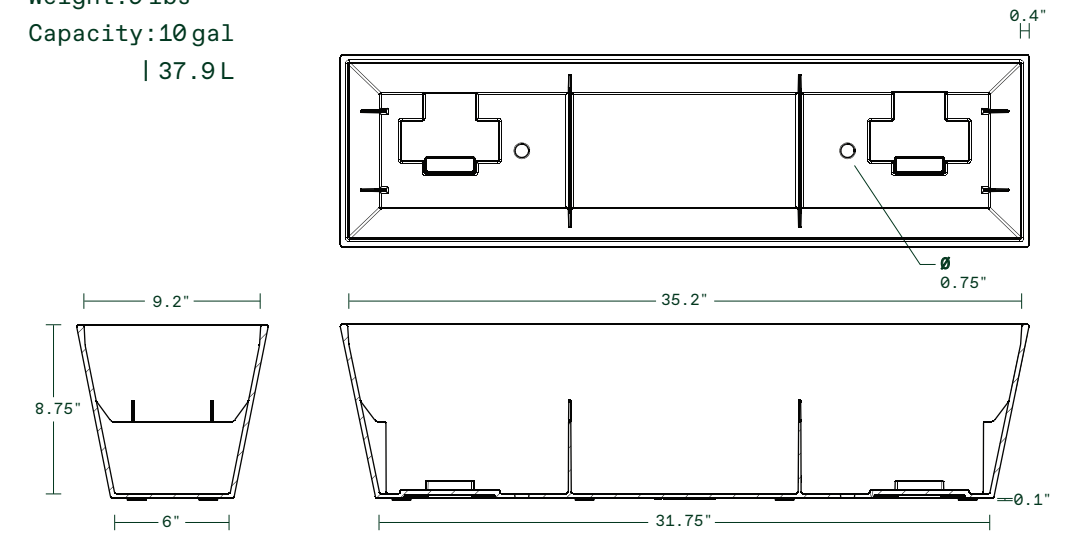
Interior Dimensions



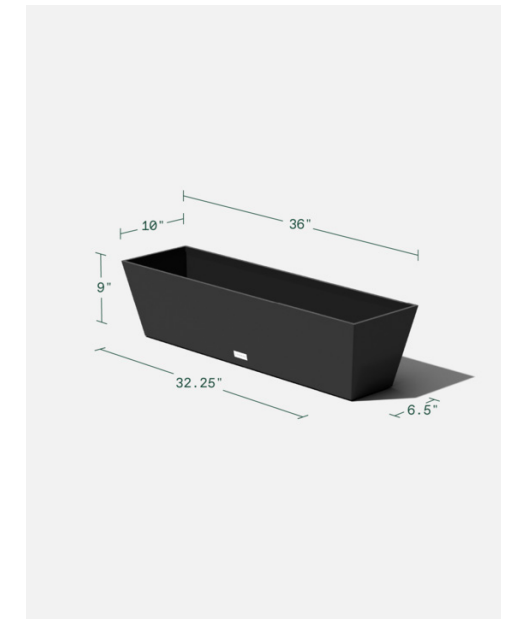
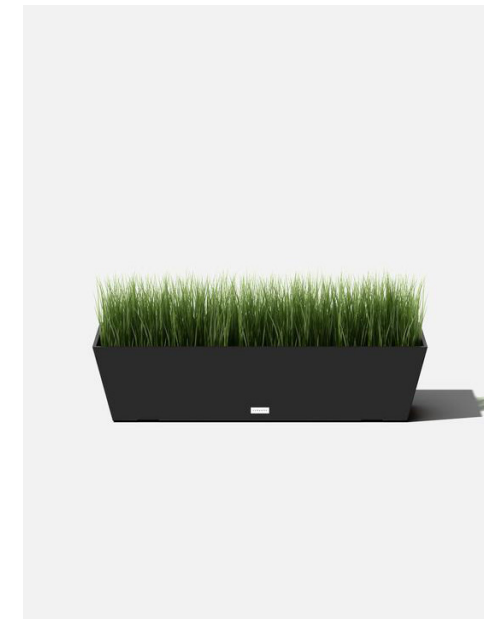
Exterior Dimensions

### window box thirty-six

36"L x 10"W x 9"H  
Weight: 9 lbs  
Capacity: 10 gal | 37.9 L



Interior Dimensions



Exterior Dimensions