

pure series

nobleton planter

black



espresso



gray



white



materials

durable polypropylene construction
made in canada

features

all weather resistant
scratch resistant
fade resistant
crack proof

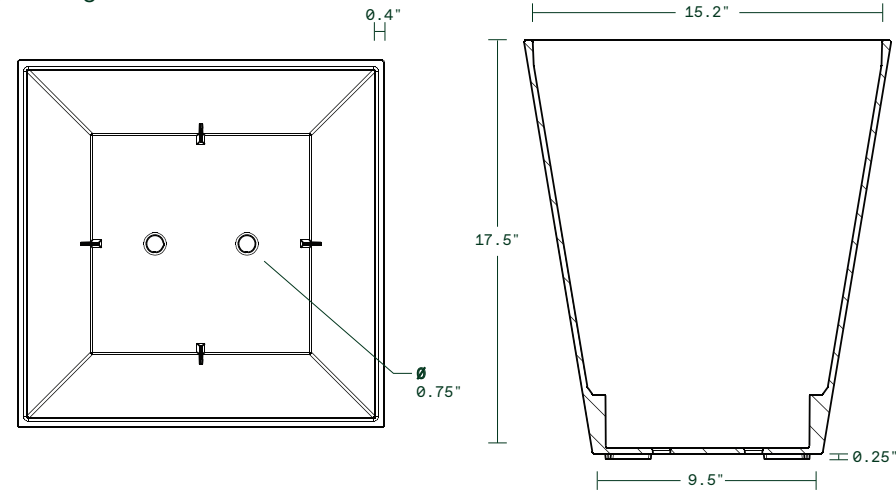
drainage holes
optional drip tray
5 year limited warranty

nobleton eighteen

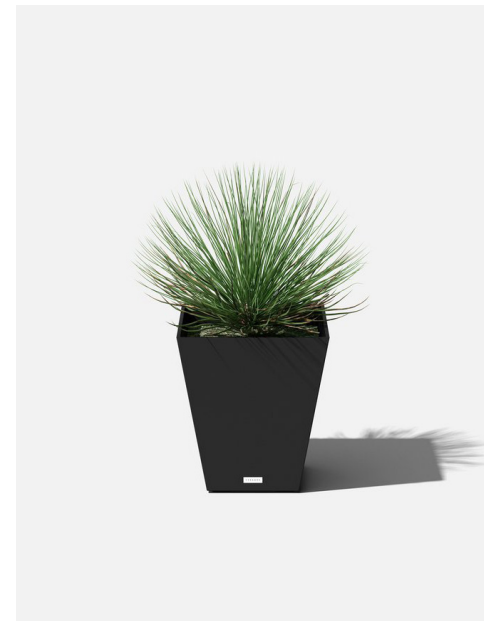
16" L x 16" W x 18" H

Weight: 9 lbs

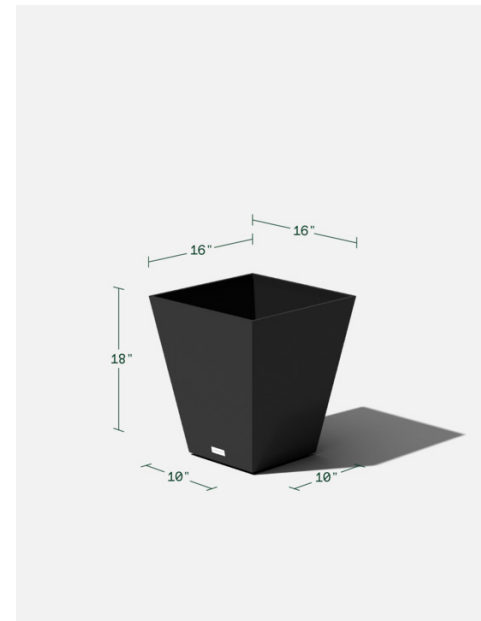
Capacity: 12.2 gal | 46.4 L



Interior Dimensions



Exterior Dimensions

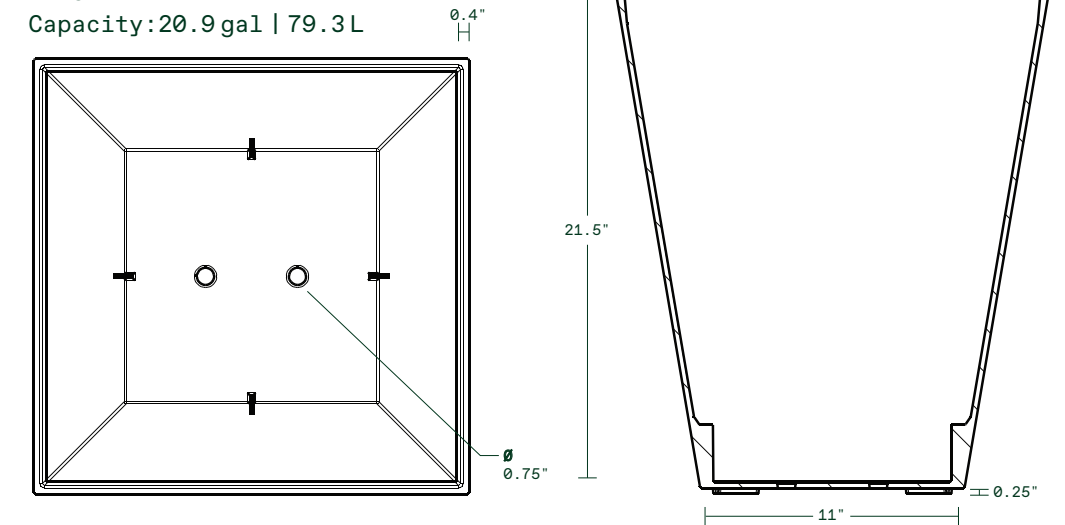


nobleton twenty-two

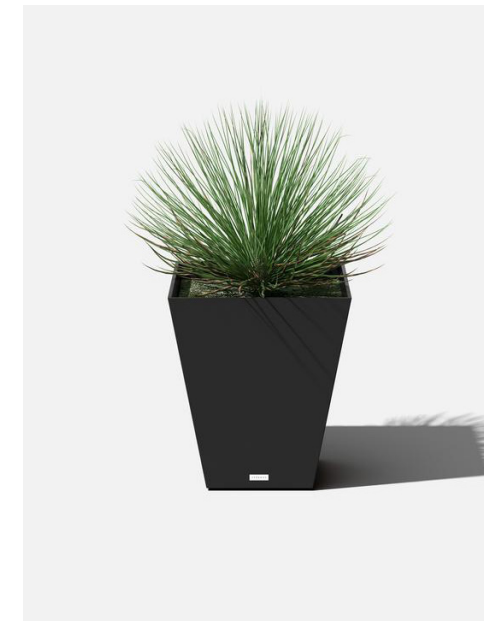
19" L x 19" W x 22" H

Weight: 13 lbs

Capacity: 20.9 gal | 79.3 L



Interior Dimensions



Exterior Dimensions

