

pro series

# linear planter

linear  
thirty

26" L x 26" W x 30" H  
Weight: 30 lbs  
Capacity: 41.2 gal | 156.2 L

black



gray



## materials

durable polypropylene construction

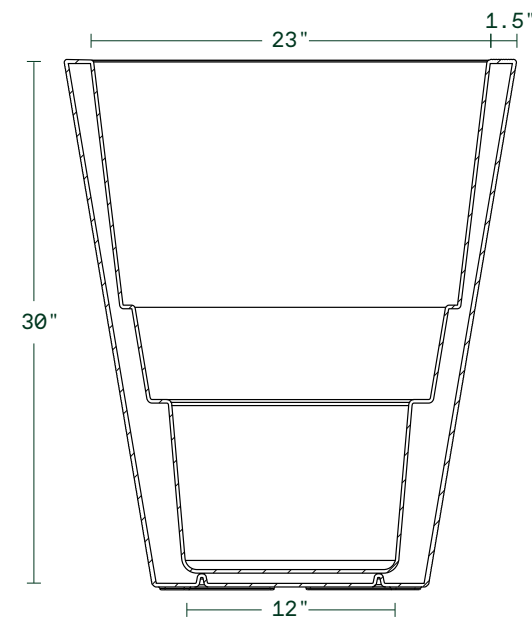
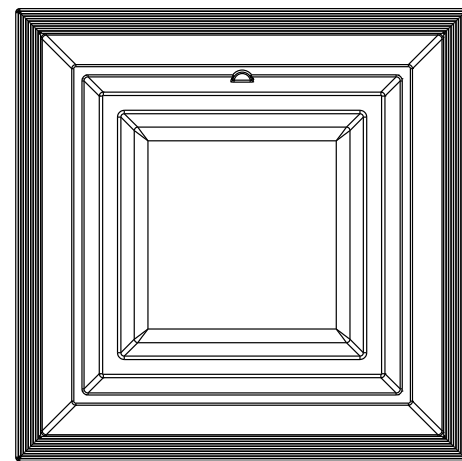
## features

weather resistant  
double walled  
commercial grade

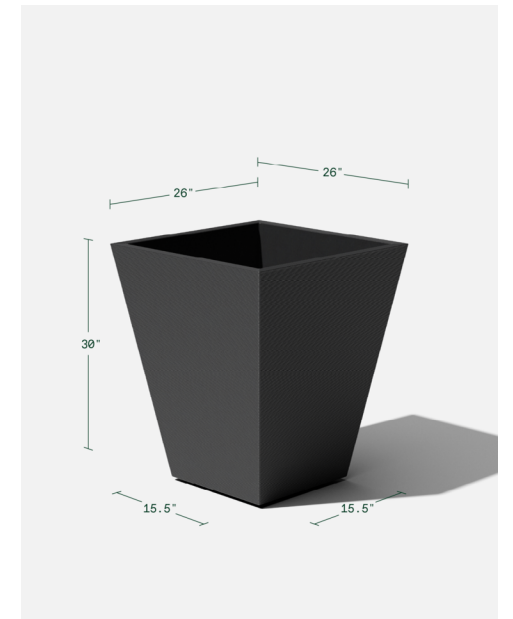
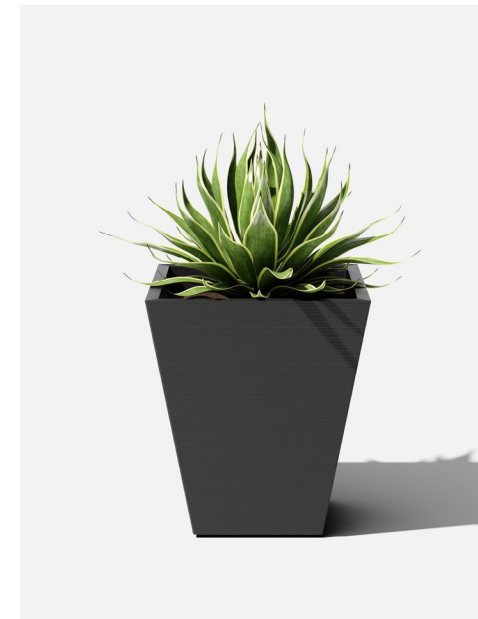
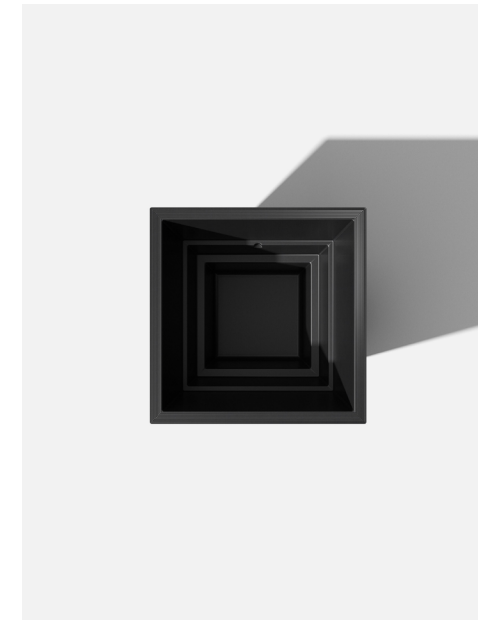
fade resistant  
sealed bottom\*

## notes

\*drainage holes can be easily drilled



Interior Dimensions



Exterior Dimensions