

pro series

curve planter

curve
thirty

27"W x 30"H

Weight: 24 lbs

Capacity: 36.0 gal | 136.5 L

black



gray



materials

durable polypropylene construction

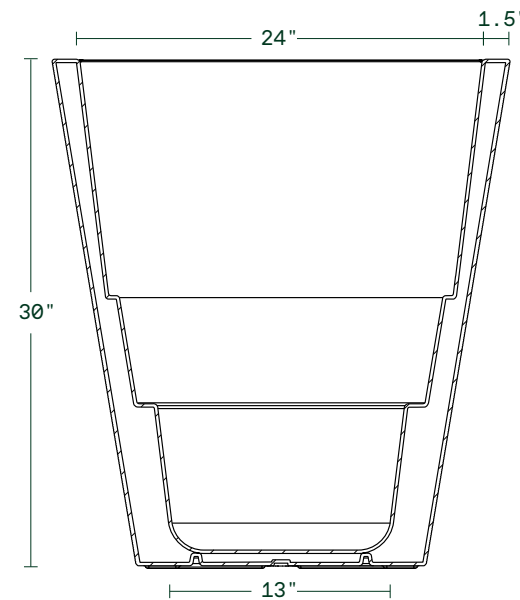
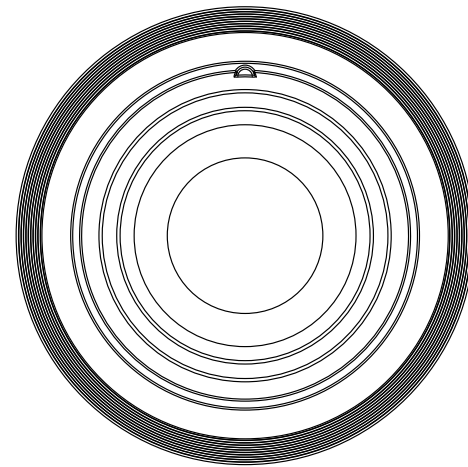
features

weather resistant
double walled
commercial grade

fade resistant
sealed bottom*

notes

*drainage holes can be easily drilled



Interior Dimensions



Exterior Dimensions