

pro series

# column planter

## column forty

20" L x 20" W x 40" H  
Weight: 31 lbs  
Capacity: 31.2 gal | 118.2 L

black



gray



### materials

durable polypropylene construction

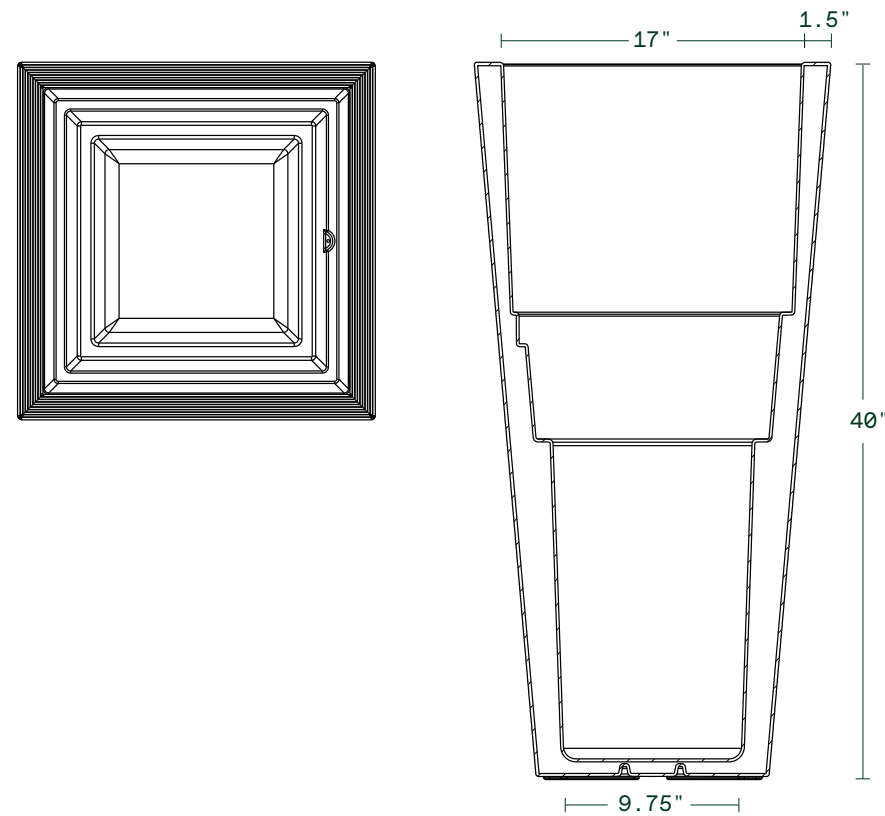
### features

weather resistant  
double walled  
commercial grade

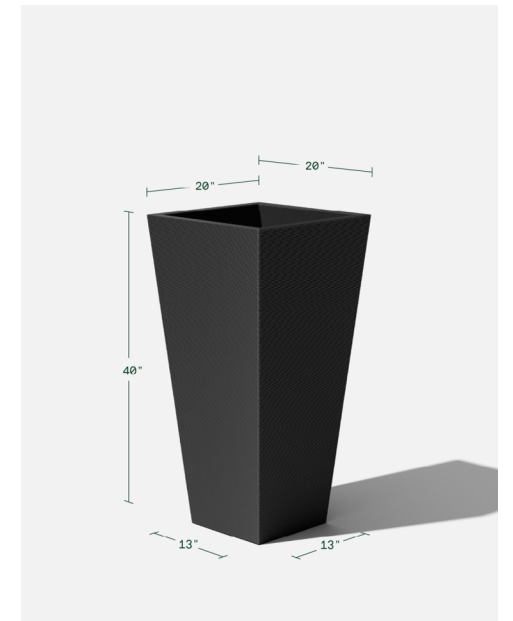
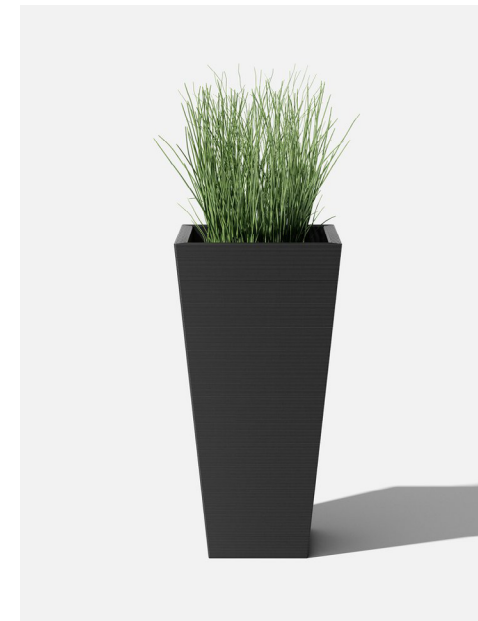
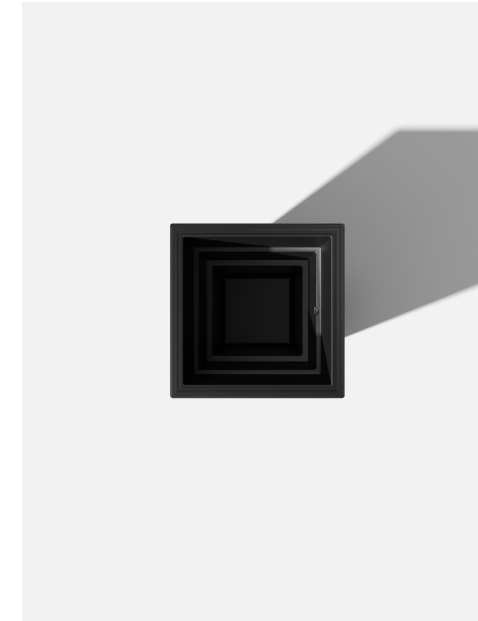
fade resistant  
sealed bottom\*

### notes

\*drainage holes can be easily drilled



Interior Dimensions



Exterior Dimensions