

metallic series

span planter

black



gray



white

(short + medium only)



materials

made from 16 gauge galvanized steel

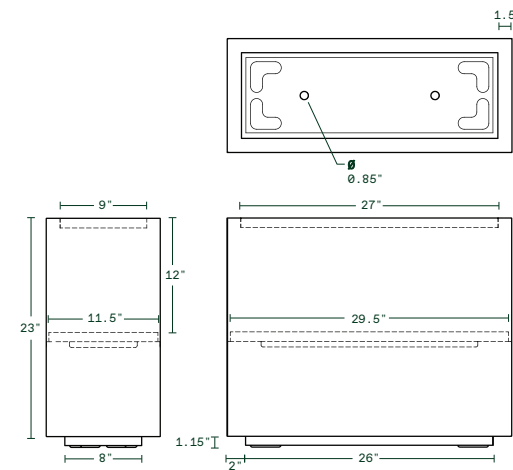
features

- all weather resistant
- foam insulation
- rust resistant
- scratch resistant
- powder coat
- drainage holes

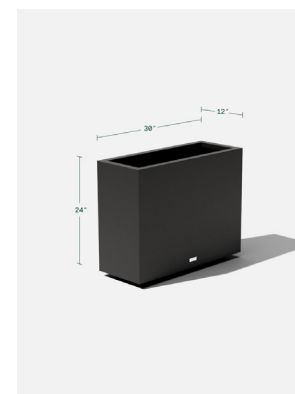
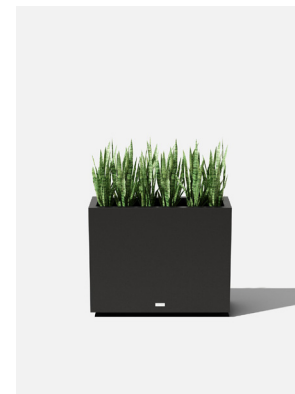
- optional drip tray
- insert shelf included
- drainage plugs included
- commercial grade construction

span short

30" L x 12" W x 24" H
 Weight: 53 lbs
 Capacity: 37.4 gal | 141.5 L
 Capacity with Shelf: 18.7 gal | 70.7 L



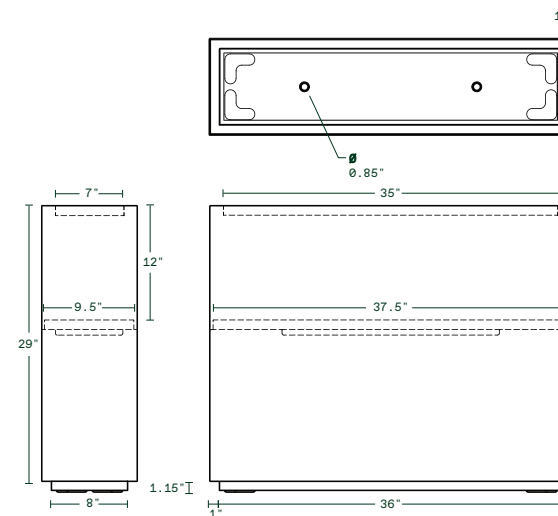
Interior Dimensions



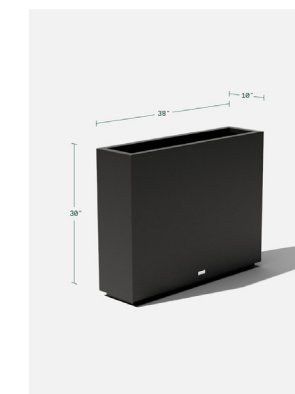
Exterior Dimensions

span medium

38" L x 10" W x 30" H
 Weight: 69 lbs
 Capacity: 49.3 gal | 186.8 L
 Capacity with Shelf: 19.7 gal | 74.7 L



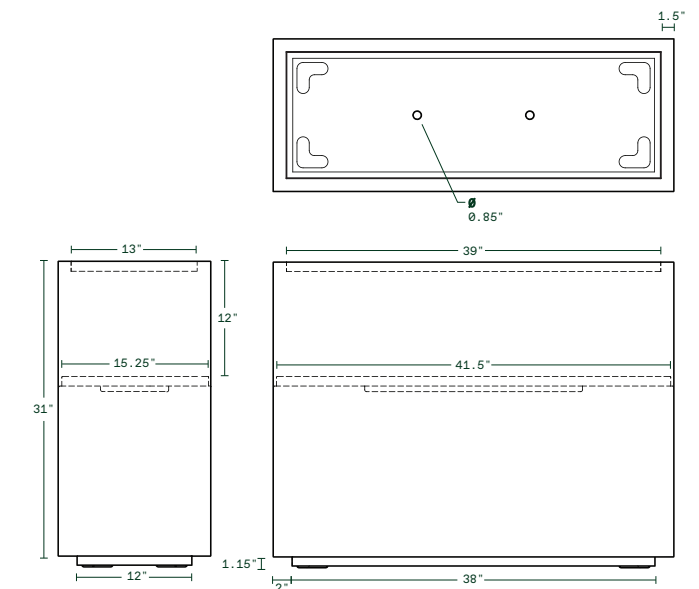
Interior Dimensions



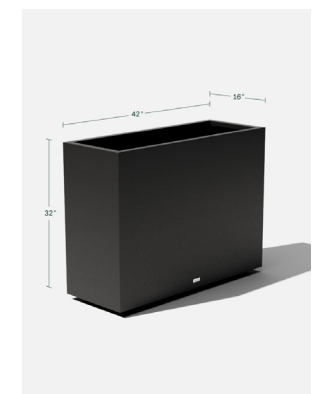
Exterior Dimensions

span large

42" L x 16" W x 32" H
 Weight: 86 lbs
 Capacity: 93 gal | 352.3 L
 Capacity with Shelf: 34.9 gal | 132.1 L



Interior Dimensions



Exterior Dimensions