

metallic series

cube planter

black



gray



white

(short + medium only)



materials

made from 16 gauge galvanized steel

features

- all weather resistant
- foam insulation
- rust resistant
- scratch resistant
- powder coat

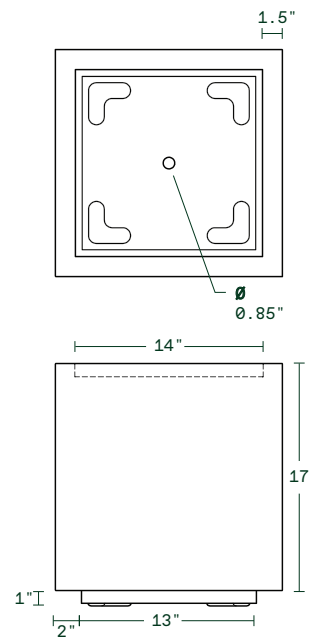
- drainage hole
- optional drip tray
- drainage plugs included
- commercial grade construction

cube small

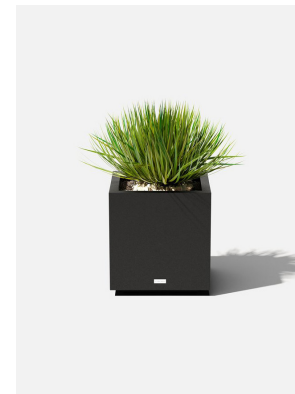
17"L x 17"W x 18"H

Weight: 26 lbs

Capacity: 22.5 gal | 85.2 L



Interior Dimensions



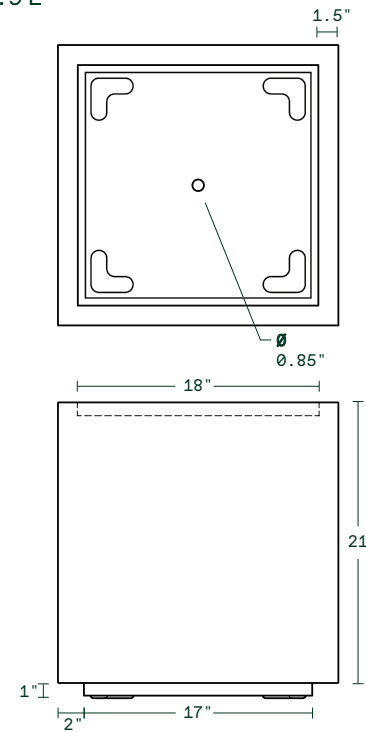
Exterior Dimensions

cube medium

21"L x 21"W x 22"H

Weight: 39 lbs

Capacity: 42 gal | 158.9 L



Interior Dimensions



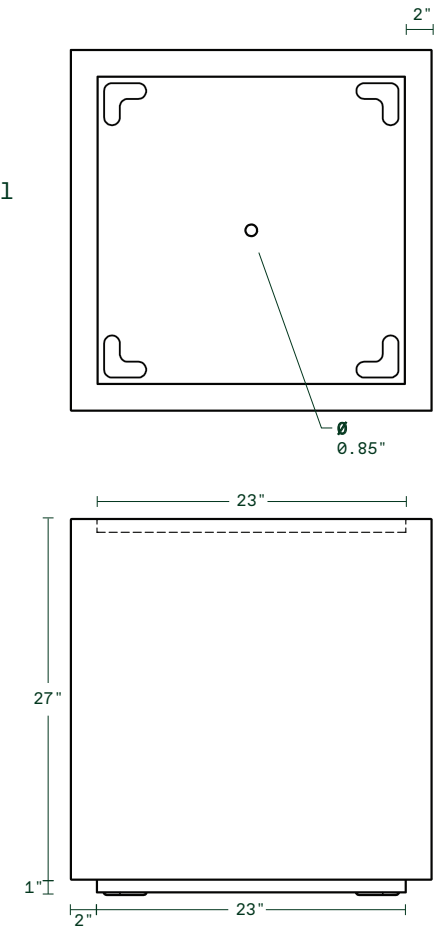
Exterior Dimensions

cube large

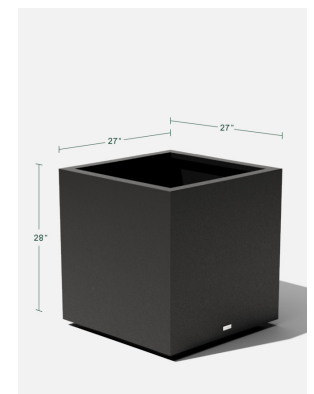
27"L x 27"W x 28"H

Weight: 67 lbs

Capacity: 88.3 gal | 334.5 L



Interior Dimensions



Exterior Dimensions