

kitchen series

bar cart

**bar
cart**

44" L x 24.5" W x 35" H
Weight: 41 lbs

materials

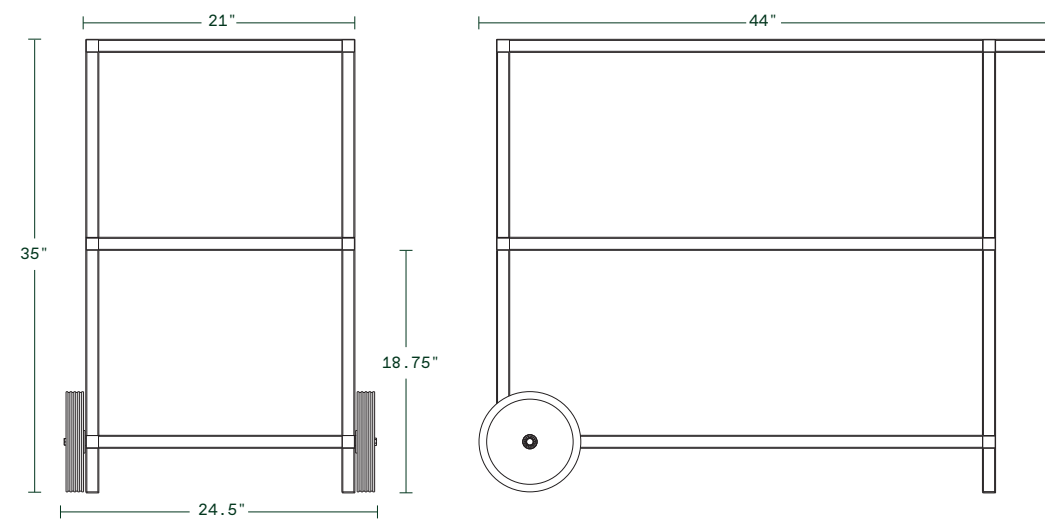
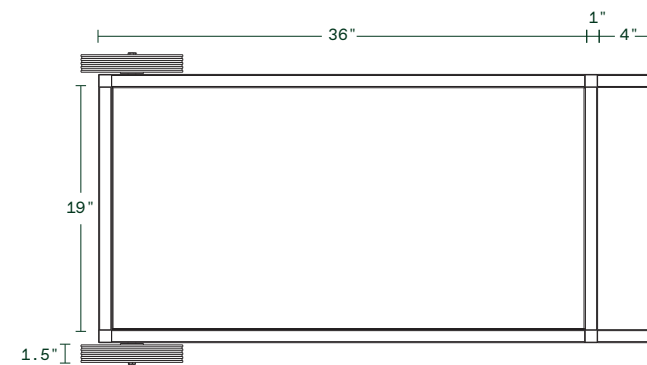
durable aluminum construction
 brushed stainless steel countertop
 scratch resistant powder coat on bottom shelves

features

easy assembly	optional accessories
all weather resistant	optional cover
adjustable leveler feet	part of a modular kitchen series*

notes

*modular - designed to fit with other Veradek kitchen modules
food safe - easy to clean countertop



Dimensions



Pan Head Hexagon Screw
M10x1.5mm Thread
60mm Long



Washer M12 Screw
13 mm ID
23.5 mm OD

Hardware Included

