

corten steel series

span planter

corten steel*



* all corten steel products arrive in their raw steel (unrusted) state as shown in contents page.



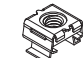
materials

made from 16 gauge corten steel

features

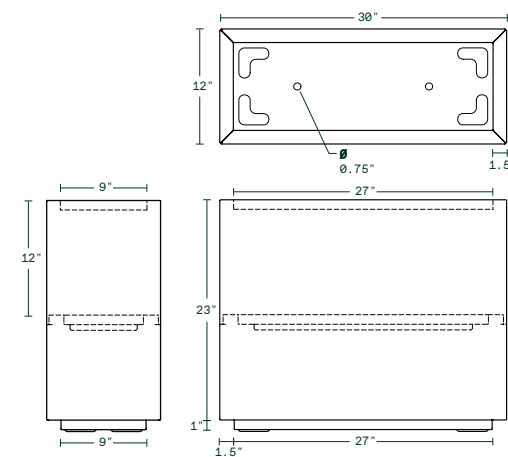
- all weather resistant
- commercial grade construction
- foam insulation
- insert shelf included
- drainage holes
- assembly required
- optional drip tray
- easy installation

hardware included

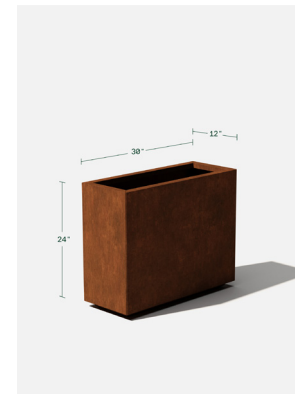
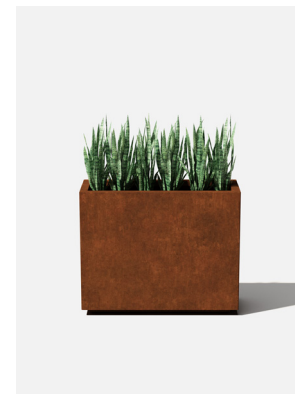
-  butterfly nut - m6 x 1mm thread
-  hex bolt - m6 x 1mm thread, 12mm long
-  floating snap-in nut - m6 x 1mm thread

span short

30"L x 12"W x 24"H
weight: 53 lbs
capacity: 37.4 gal | 141.5 L
capacity with shelf: 18.7 gal | 70.7 L



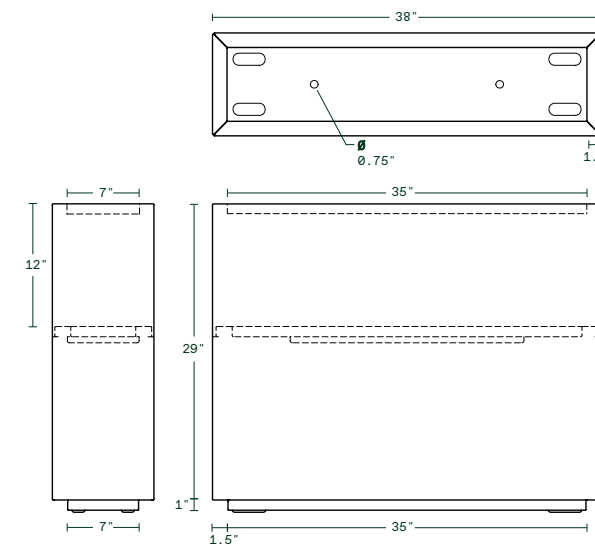
interior dimensions



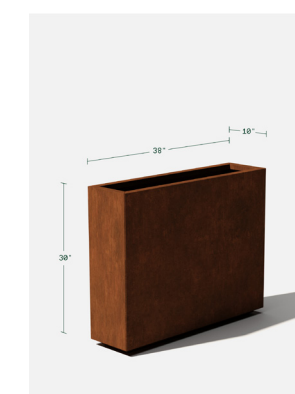
exterior dimensions

span medium

38"L x 10"W x 30"H
weight: 69 lbs
capacity: 49.3 gal | 186.8 L
capacity with shelf: 19.7 gal | 74.7 L



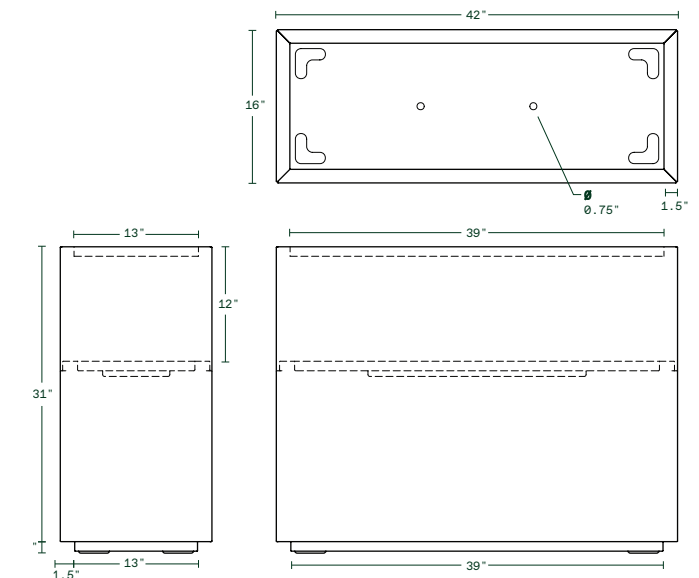
interior dimensions



exterior dimensions

span large

42"L x 16"W x 32"H
weight: 86 lbs
capacity: 93 gal | 352.3 L
capacity with shelf: 34.9 gal | 132.1 L



interior dimensions



exterior dimensions