

corten steel series

long box planter

(page: 1 of 2)

corten steel*



*all corten steel products arrive in their raw steel (unrusted) state as shown in contents page.

materials

made from 16 gauge corten steel

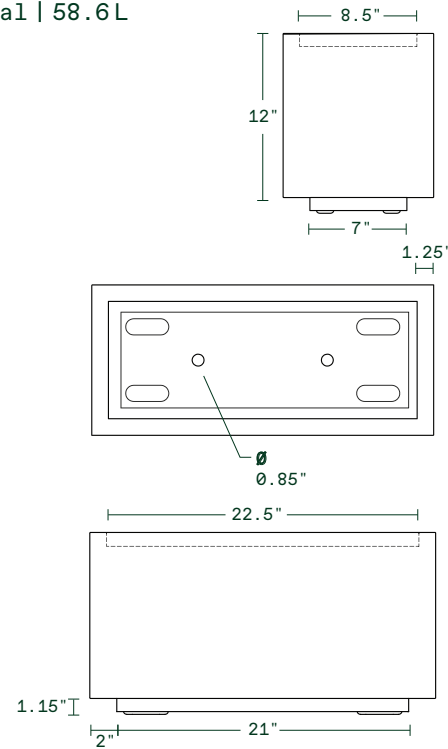
features

- all weather resistant
- foam insulation
- drainage holes
- optional drip tray

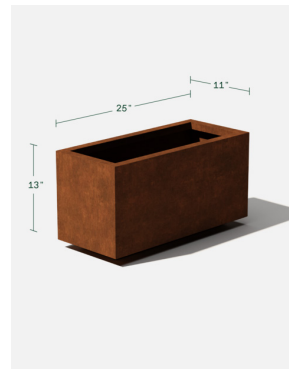
- commercial grade construction
- drainage plugs included

long box small

25" L x 11" W x 13" H
 Weight: 23 lbs
 Capacity: 15.4 gal | 58.6 L



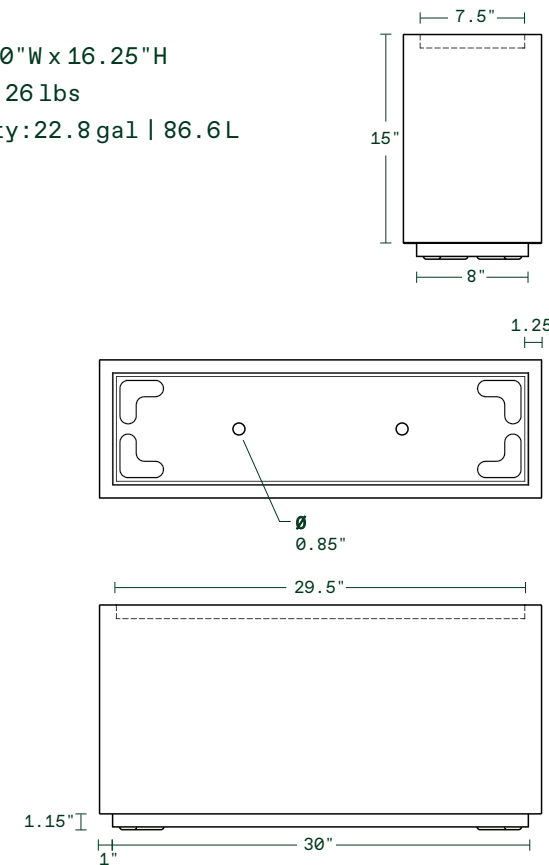
Interior Dimensions



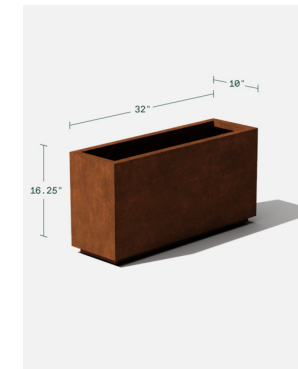
Exterior Dimensions

long box medium

32" L x 10" W x 16.25" H
 Weight: 26 lbs
 Capacity: 22.8 gal | 86.6 L



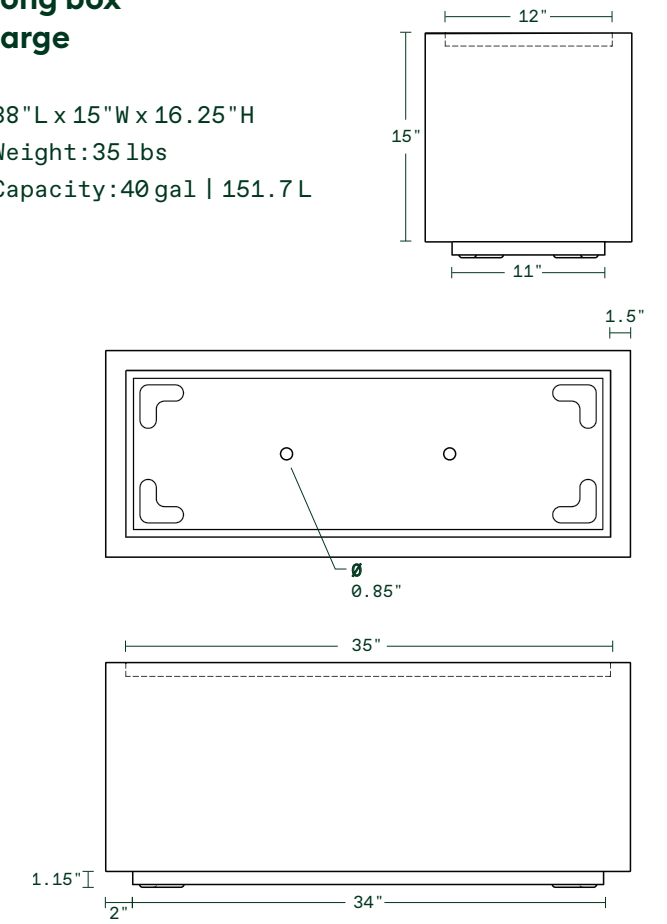
Interior Dimensions



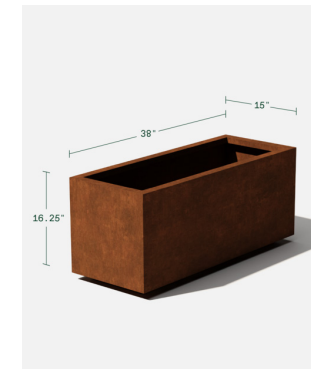
Exterior Dimensions

long box large

38" L x 15" W x 16.25" H
 Weight: 35 lbs
 Capacity: 40 gal | 151.7 L



Interior Dimensions



Exterior Dimensions

corten steel series

long box planter

(page: 2 of 2)

corten steel*



*all corten steel products arrive in their raw steel (unrusted) state as shown in contents page.

materials

made from 16 gauge corten steel

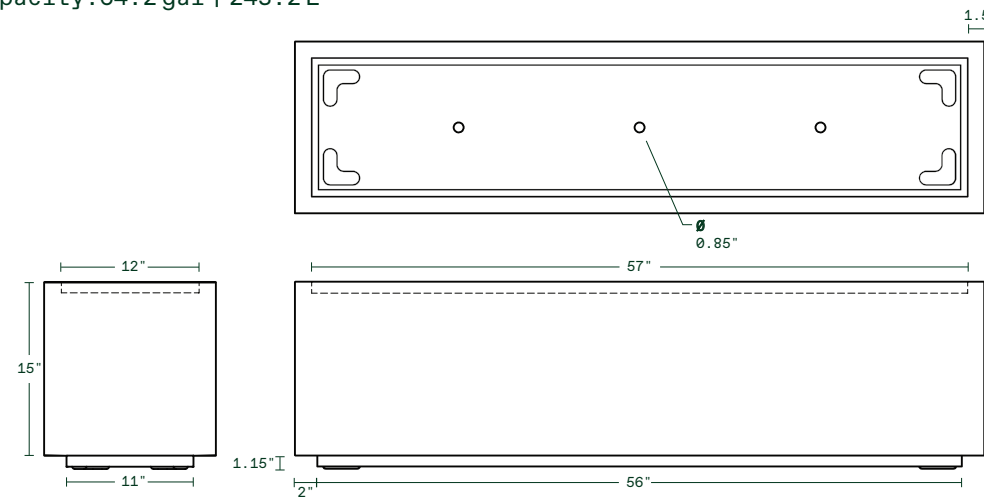
features

all weather resistant
foam insulation
drainage holes

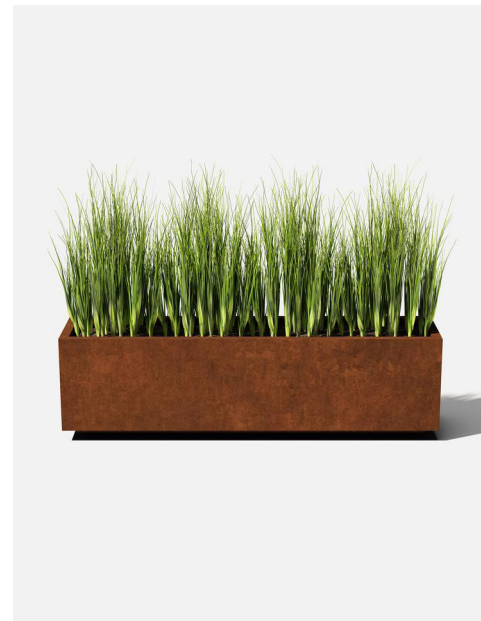
commercial grade construction
drainage plugs included

long box extra large

60" L x 15" W x 16.25" H
Weight: 64 lbs
Capacity: 64.2 gal | 243.2 L



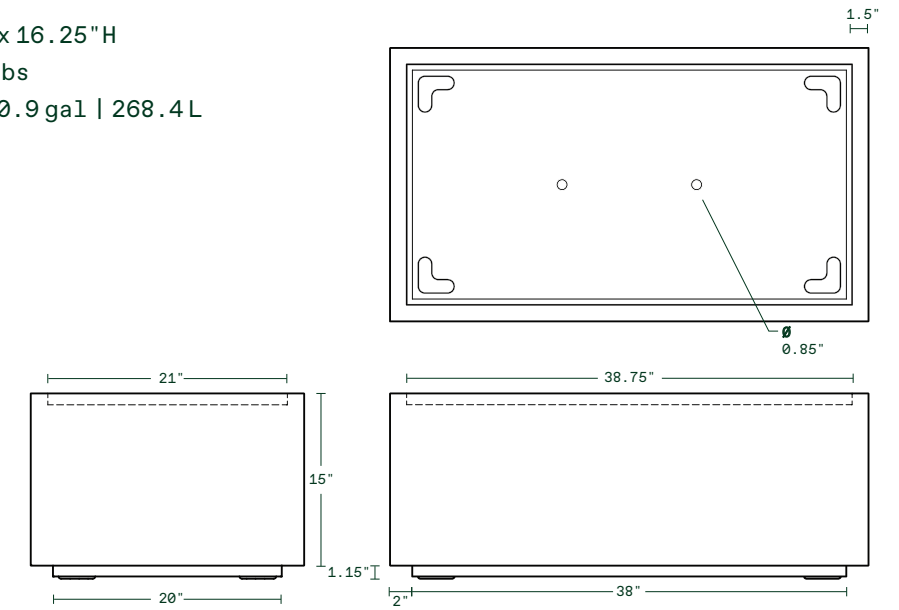
Interior Dimensions



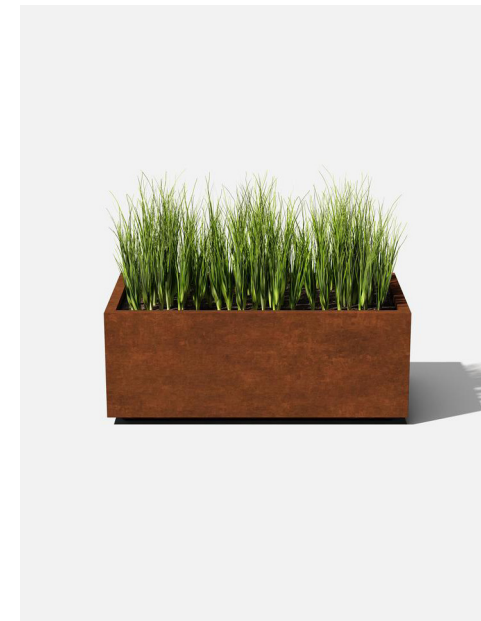
Exterior Dimensions

long box wide

42" L x 24" W x 16.25" H
Weight: 58 lbs
Capacity: 70.9 gal | 268.4 L



Interior Dimensions



Exterior Dimensions