

brixton series

cube planter

black



white



gray



materials

durable polypropylene construction
made in canada

features

all weather resistant
crack proof
fade resistant
scratch resistant

self-watering
insert shelf
drainage holes
5 year limited
warranty

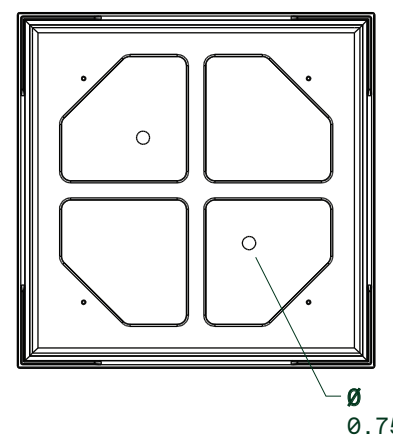
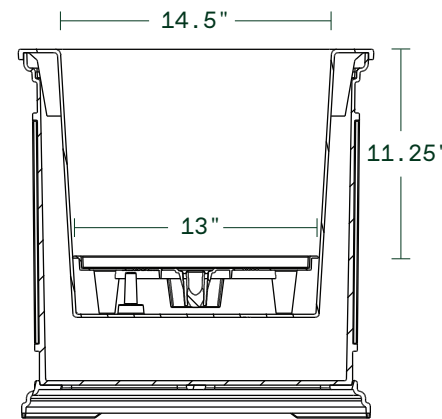
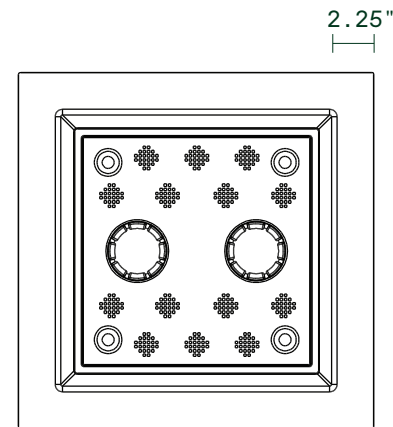
cube twenty

19"L x 19"W x 19.75"H
Weight: 24 lbs
Capacity: 11.5 gal | 43.8 L
Capacity with Shelf: 9.7 gal | 37.0 L

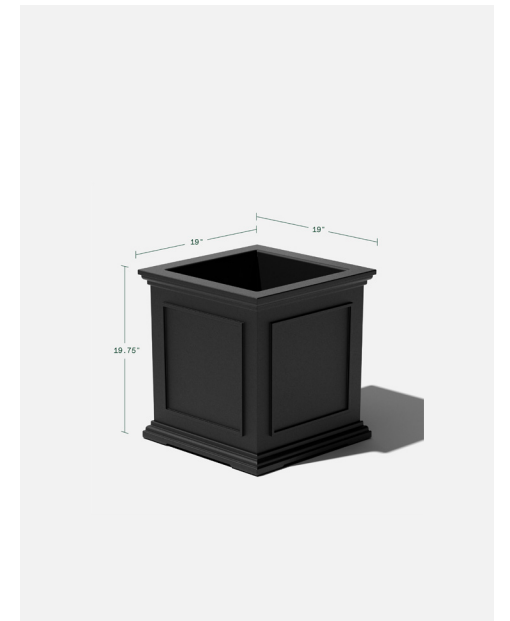
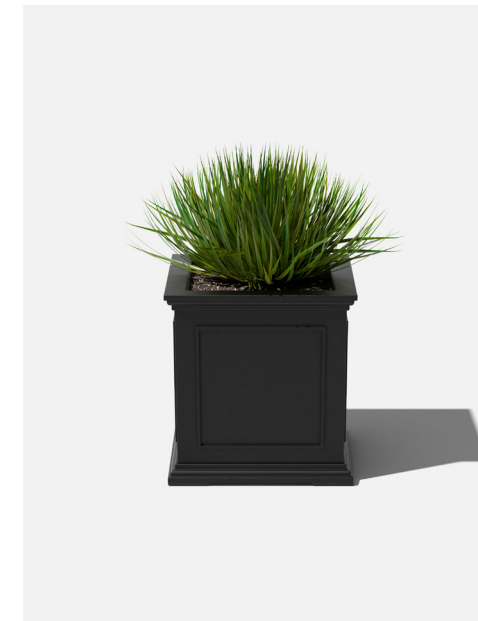
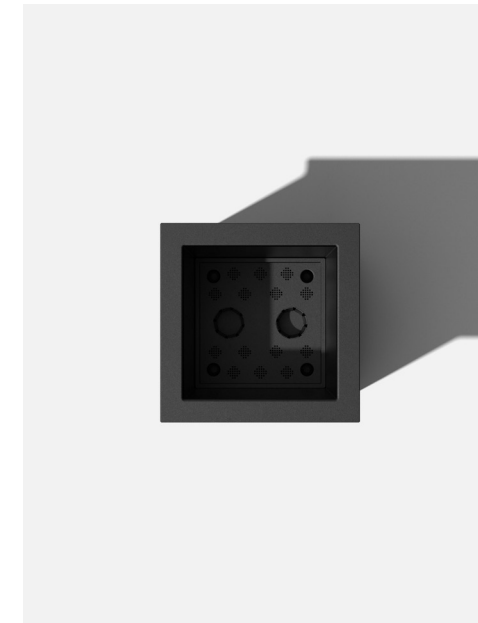


Phillips Rounded Head
Thread-Forming Screw
Number 10 Size, 1/2" Long

Hardware Included



Interior Dimensions



Exterior Dimensions