

brixton series

tall planter

tall twenty-eight

16" L x 16" W x 28" H

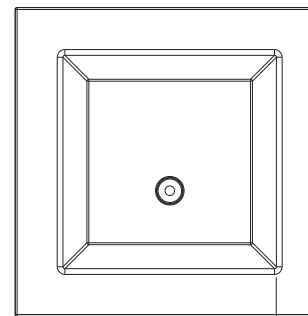
Weight: 17 lbs

Capacity: 5.4 gal | 20.6 L

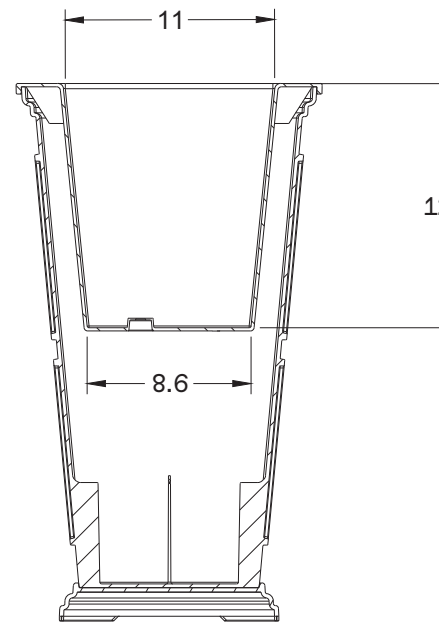
Hardware Included



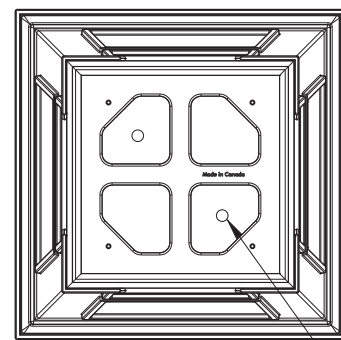
Phillips Rounded Head
Thread-Forming Screw
Number 10 Size, 1/2" Long



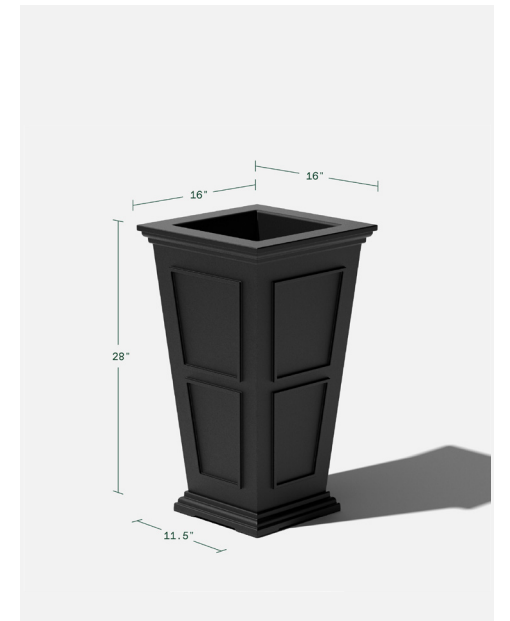
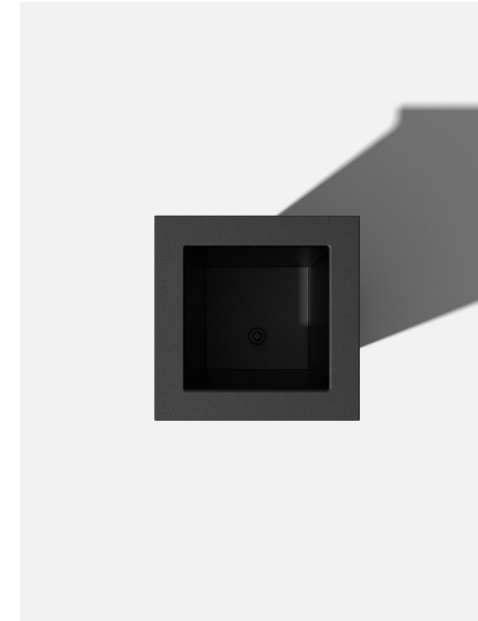
2.5



Interior Dimensions



Ø.75



Exterior Dimensions

black



white



gray



materials

durable polypropylene construction

made in canada

features

all-weather resistant

crack proof

fade resistant

scratch resistant

drainage holes

5 year limited warranty