

brixton series

# long planter


## long thirty-three

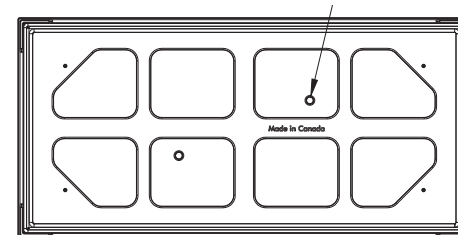
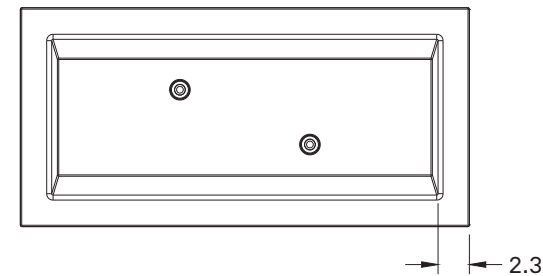
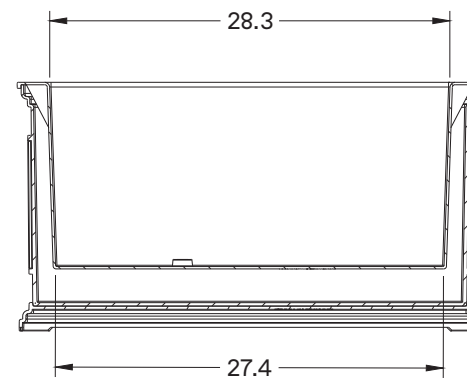
33"L x 16"W x 17.5"H

Weight: 29 lbs

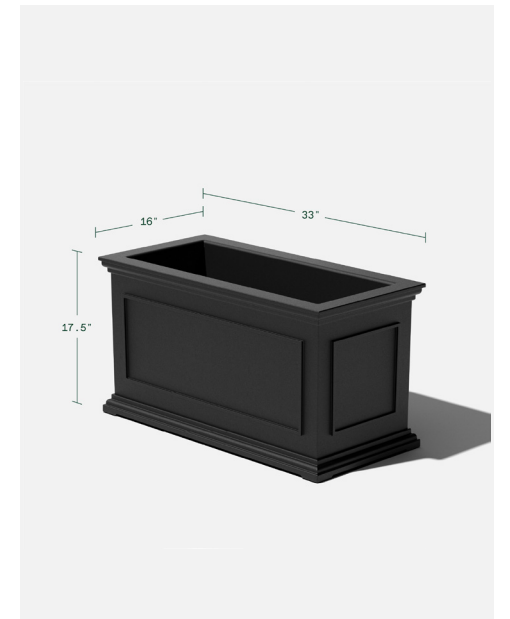
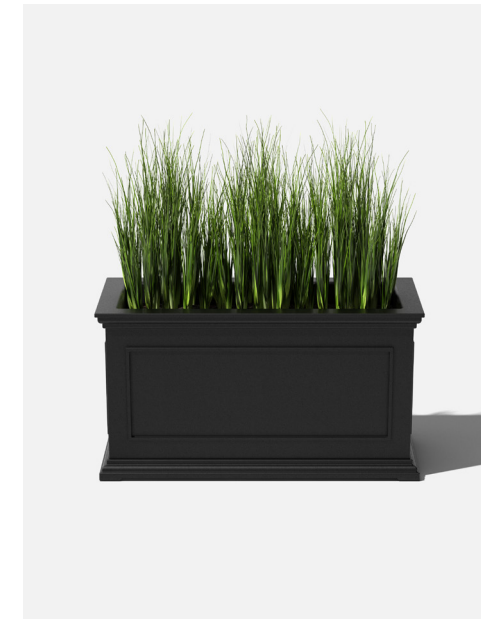
Capacity: 15.7 gal | 59.6 L

### Hardware Included

 Phillips Rounded Head  
Thread-Forming Screw  
Number 10 Size, 1/2" Long



Interior Dimensions



Exterior Dimensions

black



white



gray



### materials

durable polypropylene construction

made in canada

### features

all-weather resistant

drainage holes

crack proof

5 year limited warranty

fade resistant

scratch resistant