

# GOOLOO<sup>®</sup>



**SUPER CHARGE**

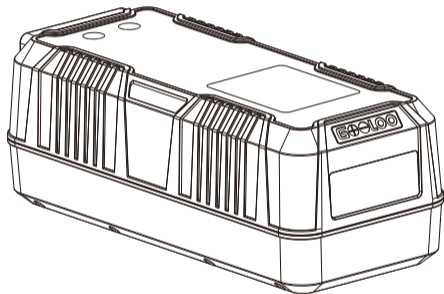


**SUPERSAFE**  
Reg No. 5904374

# User Manual

**Detachable Inverter  
Portable Power Station**

**Model : GTX280-Y**



**SUPERSAFE**  
Reg No. 5904374

SUPERSAFE is a safety protection technology by GOOLOO

Thank you for choosing the GOOLOO GTX280-Y detachable inverter portable power station. This is an outdoor emergency power supply with multiple output ports that can charge most of your devices, including laptops, phones, tablets, drones, cameras, CPAP machines, mini-fridges and many more.

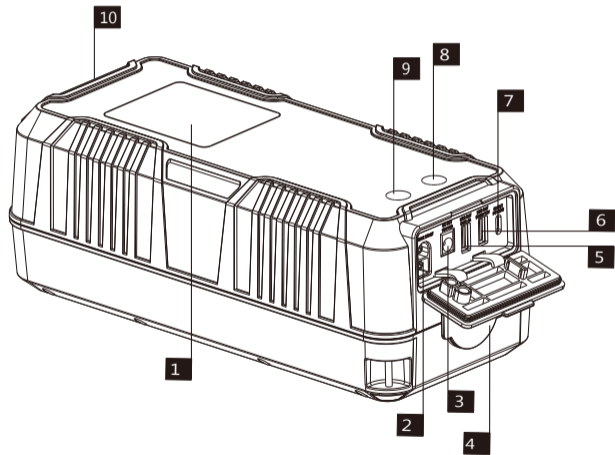
### **Charge It First !**

Before reading through the manual, you can begin to charge up your GTX280-Y by connecting the inverter to GTX280-Y host with 100W PD charging cable.

### **Warning**

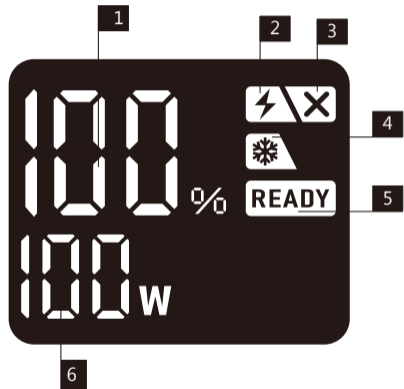
This unit is for vehicle (equipment) with 12V batteries. It may be dangerous if it is used with other types of batteries. Read and understand the safety information before using the power station. Failure to follow the safety information may cause damage to the power station, and may also result in electric shock, explosions, fire, property damage, and personal injury.

## Product Parts and Functions Description



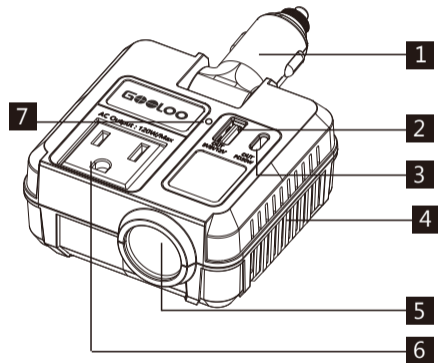
1. Display Screen
2. 12V Battery Clamps Output
3. DC Out Port (15V/10A, Max 150W)
4. 15V/10A Cigarette lighter output socket
5. USB1 Out Port (5V/2.4A)
6. USB2 Out Port (QC3.0, 5V/9V/12V)
7. USB-C1 In/Out Port (PD100W Max)
8. Power Button
9. BOOST Button
10. LED Light

## Display Screen Instructions



- 1. Battery Power Percentage:** Battery percentage of charge/standby/discharge
- 2. Low Current Mode:** Support charging for the devices that need light charging current like headphone, smart watch, etc. Press POWER and BOOST button simultaneously for 2-3s to turn on this mode.
- 3. "+" and "-" Poles of Battery Clips Reversed**
- 4. Battery Low Temperature Reminder**
- 5. Ready to Start the Vehicle**
- 6. Charge Power/Discharge Power**

## Product Parts and Functions Description



1.Cigarette lighter plug (12-16.8V/10A)

2.USB3 Out Port (QC3.0, 5V/9V/12V)

3.USB-C2 Out Port (PD30W Max)

4.Heat Dissipation

5.15V/10A Cigarette lighter output socket

6.AC socket (Rated Power 120W, Peak 150W)

7.Indicator Light

## Technical Specification



### Capacity

280Wh



### Starting Current

600A(3s)



### Peak Current

3000A



### USB-C1 In/Out

PD100W Max (5V/3A, 9V/3A, 12V/3A, 15V/3A, 20V/5A);  
Backwards Compatibility



### USB-C2 Out

PD30W Max



### USB1 Out

5V/2.4A



### USB2 Out

QC3.0 18W Max (5V/3A, 9V/2A, 12V/1.5A)



### USB3 Out

QC3.0 18W Max (5V/3A, 9V/2A, 12V/1.5A)



### DC OUT

15V/10A (150W Max)



### AC Out

110V~60HZ (Rated Power  
120W, Peak 150W)



### Input

12-16.8V/10A cigarette  
lighter input



### Operating Temp

-20°C ~ 60°C / -4°F ~ 140°F



### Lifetime

> 1000 Cycles



### Full Charge Time

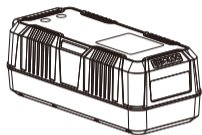
About 2.8 hour if use the inverter's  
type-c port with the PD100W charging  
cable



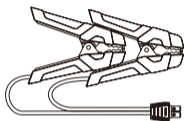
### Customer Service

18 Months Limited Warranty Service  
Lifetime Technical Service

## Package Contents



Host x1



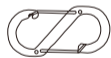
12V Battery Clamp Out x1



Car Inverter x1



Carrying Strap x1



Hook x1



PD100W Data Cable x1



USB-A to USB-C Cable x1



Carrying Bag x1

## Support Charging Device

### USB Port:



Smartphones  
(11Wh)-21 Times



Tablets  
(30Wh)-8 Times



Smartwatches  
(5Wh)-40 Times



Digital cameras  
(16Wh)-14 Times



E-readers  
(8Wh)-29 Times

### DC Output (15V/10A):



Drones  
(40Wh)-6 Times



Routers  
(10W)-20 Hours



Mini-fridges  
(60W)-4 Hours

### AC Output (Rated Power 120W):



Laptops  
(50Wh)-5 Times



Displays  
(60W)-4 Hours



Electrical  
appliances

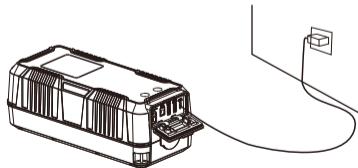
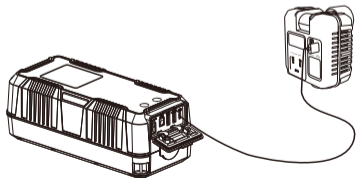


## Recharging Method

Before using or storage, if the LCD display shows capacity less than 5% , please recharge the GTX280-Y as soon as possible.

## Support PD100W Max Speed Charging

This unit support 100W super fast charging via our private protocol which means you can achieve this function by connect the inverter to GTX 280 host with 100W PD charging cable. You can also get 100W max input function through PD 100W USB-C wall charger .( Please be aware that 100W wall charger need to be purchased separately.)



## Recharge Time



**Wall Charger**  
(Not included)  
Around 2.8 Hours



**Type-C Charger**  
Around 2.8 Hours



**Support 60W/80W/100W/120W  
Max Solar Panels** (Not included)  
The charging time is determined  
by the solar light intensity.

## USB Output

You can connect a standard USB cable to the 5V/2.4A USB output port to charge the smart devices.

## Quick Charge 3.0 USB Output

It supports 5V to 12V output up to 18W and can power Quick charge 3.0 compatible smart devices. The actual output voltage and current depend on the smart devices.

## Type-C Output

It supports 5V to 20V output up to 100W and can power type-C compatible smart devices. The actual output voltage and current depend on the smart devices.

## **15V/10A DC Output(Connecting port of DC small round head)**

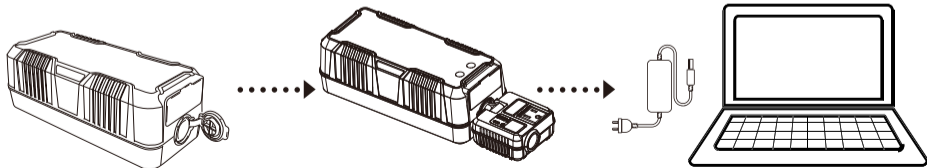
Plug the optional switch cable to 15V 10A output port. Connect the optional switch cable and 15V vehicle product or 15V electronics. Press the switch button to power supply.

## **15V/10A DC Cigarette lighter output socket**

Connect the Inverter or need to be powered by cigarette lighter socket.

## **110V/60Hz AC Output (Rated Power 120W, Peak 150W)**

The output voltage of the AC port is 110V and the output frequency is 60Hz. Power the electronic devices with power consumption less than 150W, such as laptops and displays, home appliances, etc.



The inverter adopts an isolated cell group and circuit design. Its high compatibility & high-quality AC, make the waveform synchronize with the mains power, which can adapt to more appliances.

## How to Turn On/Off the LED Flashlight

Power on, then press power button for 1-2s to turn on the LED light. There are 3 modes of LED light (Normal,SOS,Strobe,Off) if you press lightly.

## How To Jump Start Your Vehicle (Make sure battery power > 20%)

GTX280-Y is designed for jump starting 12V vehicle batteries.

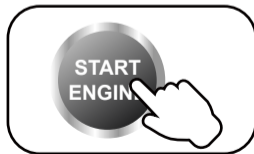
1. Connect Vehicle Battery



2. READY (Solid)



3. Start Vehicle Engine



## How to use the inverter

1. Insert the on-board inverter into the socket of the automobile cigarette lighter or GOOLOO GTX280-Y. When inserting, please check the tightness between the plug and the socket. When it is too loose, open the shrapnel on both sides of the insert head, and then insert it into the cigarette socket.
2. Confirm whether the power indicator of the inverter is on before use, and make sure the power of the electrical appliance to be used is below 150W at the same time.
3. Insert the power plug of the electrical appliance into the socket of the onboard inverter.
4. When the car inverter is not in use, please remove it from the cigarette lighter socket to avoid draining the battery power.

## Toxic and Harmful Substances

Composition and amount of toxic or harmful substance in this product

Pb	Hg	Cd	Cr(Vi)	PBB	PBDE
0	0	0	0	0	0

0: Indicate that the content of harmful substances in all homogeneous materials is all lower than the prescribed limit of MCV (the standard 2002/95/EC/RoHs)

## FAQ

### Q1: What is the operating temperature of this unit and how to store it?

A: This unit is lithium polymer battery, operating temp is -20-60 °C/ -4-140°F. If the ambient temperature is higher than 60°C/140°F, the internal construction of the battery cells may be damaged, it may swell and become unsafe. Avoid direct sunlight or hot temperatures, do not leave it in a parked car under direct sunlight for long periods of time.

**Q2: How often does this unit need to be recharged?**

A: It would be best to recharge it every 3 months.

**Q3: What should I do if this unit can't charge up?**

A: Please feel free to contact us at: [contact@gooloo.com](mailto:contact@gooloo.com) (Attach your order ID), and we will get back to you within 24 hours.

**Q4: What should I do if this unit can't charge other devices?**

A: Try to charge the device with another charging cable, If it works, which means the charging cable we provided is defective, we will provide you a new one; If it still does not work, please email us at: [contact@gooloo.com](mailto:contact@gooloo.com) (Attach your order ID).

**Q5: Why can't the equipment be used when its power is within the rated output power of the product?**

A: 1. the crystal production is low and needs to be supplemented;  
2. the use power of some equipment is greater than the maximum peak power of the product or the standard power of the equipment is greater than the actual power of the product, Higher power power stations are recommended.

**Q6: Will the charger be damaged due to heating during use?**

**A:** Normal use of the charger emits heat,so do not worry if it feels warm.But if the temperature is too high,we recommend you to stop using it and contact us.

**Q7: Why it shuts off in 30s when charging other devices?**

**A:** This unit may shut off automatically when charging for the devices that need light charging current, such as headphones, smart watch,etc. since there is minimum load current limitation (200mA) on this unit, so please use Low Current Mode when you are facing such probelm.

**Q8: Can this unit charge other devices while it is being charged?**

**A:** Yes

**Q9: Can this product charge other devices while starting a vehicle?**

**A:** No.

**Q10: How to turn off this unit ?**

**A:** This unit will be turned off automatically in 30s when it's not used. Or you can press POWER button for about 10s to force shutdown.



**Q11: Can this unit be used as a jump starter and what are the steps?**

A: Yes you can start a 12V car in emergency. Steps as below:

1. Insert the jumper cable into the unit.
2. Connect the clamps to the car battery. Red to positive(+), black to negative(-).
3. When the screen shows "READY", go to start the engine.

Note: You have to press the BOOST button when the car battery is too low to detect or totally dead.

**Q12: How do you know if this unit is connected to the vehicle correctly?**

A: With the battery clamps connected to the vehicle battery, if the READY(Solid) appears on the screen, it means clamps are connected correctly, while if X appears on the screen, it means it's reversed.

**Q13: What should I do if this unit can't start a vehicle?**

A: Recharge this unit fully, and try to press the "BOOST" button after connecting the vehicle battery correctly, READY(Solid) will appear on the screen, then start the vehicle within 30s. If it still does not work, contact us at: [fiona@gooloo.com](mailto:fiona@gooloo.com) ( Attach your order ID).

## **Warning**

1. Please read this manual carefully before use.
2. Do not use it with other electronic products that exceed the requirements of product specifications to avoid electric shock and product damage.
3. Do not use damaged or damaged output cables or plug-in terminals to use the product, so as to avoid electric shock and crystal damage.
4. Please keep the product dry and do not place it in water or wet place to avoid electric shock and product damage.
- 5 Do not insert foreign matters into the input and output interfaces to avoid product damage.
6. Please use the product under good ventilation.
7. Please prevent the product from falling from height.
8. Do not use the product in the environment of too high or too low temperature, which may lead to product function failure, short service life or damage.
9. Please do not expose the product to fire or temperature higher than 60 degrees, otherwise it may cause fire, explosion and other safety accidents

10. Do not attempt to disassemble the product or allow non professional technicians to disassemble it, otherwise it may cause electric shock, fire and even explosion unknown risks such as explosion.
11. Do Not allow people who do not have proper knowledge or ability to operate the device without supervision.
12. Only charge at ambient temperature of  $-20\sim 60^{\circ}\text{C}/-4\sim 140^{\circ}\text{F}$ .
13. Do Not use it as a vehicle battery or a battery charger.
14. Do not start the vehicle continuously for more than 4 times within 10 minutes. If the engine fails to start successfully within 3s after the first start, stop cranking and wait at least 30s to start the vehicle again.
15. Do Not connect the jump starter's clamps to the battery reversely after pressing the "BOOST" button to avoid accident.
16. The output power of the inverter must be greater than that of the electrical appliance
17. It shall be placed in a ventilated and dry place, protected from rain, away from inflammables and explosives, and the ambient temperature shall not be greater than  $40^{\circ}\text{C}$ .
18. Clean the dirt at the plug of on-board inverter in time to avoid poor contact or abnormal overheating of the converter.

19. When the car inverter is not in use, please remove it from the cigarette lighter socket and store it properly.
20. If you suspect a malfunction of the inverter, please do not continue to operate and use it. Cut off the input and output in time and check and repair by qualified maintenance personnel. You can also contact our service team at [contact@gooloo.com](mailto:contact@gooloo.com) for after-sales service.
21. When not in use for a long time, please charge the product every 3 months to prevent power shortage.
22. Please stay away from children to reduce possible risks.
23. Under extreme conditions, battery leakage may occur. If you accidentally touch hands or exposed parts of your body, Please wash immediately with soap and water. If you accidentally enter your eyes, immediately flush your eyes with cold water for at least 1 minute, and then see a doctor immediately.
24. lithium battery products should be disposed of according to local regulations at the end of product life.

## **Your Warranty Includes**

### **18 Months Online After- Sales Service**

Within 18 months, we will provide timely and effective online after- sales service after your purchase.

### **30 Days Money Back Guarantee**

Within the first 30 days after your purchase, you can apply return for it through Amazon when you have any issue.

### **30 Days to 18 Months**

We will replace the defective unit due to manufacturing issues with a new one within 18 months

## Disclaimer

- A. When the product needs to be repaired or replaced, the original purchaser should show the original receipt (order ID), and the warranty will take effect.
- B. The warranty does not cover damage or product failures caused by normal wear and tear, physical abuse, improper installation, misuse, modification, or unauthorized third-party repairs.
- C. We are not responsible for any accidental or indirect damage caused by incorrect use or misuse of this product.
- D. All warranty claims are limited to repair or replacement of the defective product and at the sole discretion of GOOLOO.

## Attention



Do Not Submerge In Water



Do Not Disassemble



Do Not Drop



Avoid Extreme Temperatures



Do Not Place Near or Into Fire



Overcharge/discharge  
Protection



Fuse Protection



Against-reverse  
Plug

## Customer Service



18 Months Limited Warranty Service



Lifetime Technical Service



Feel Free to Contact Us

**contact@gooloo.com(recommend)**



For FAQ and More Information

**www.gooloo.com**



**1-888-886-1805**

Mon.-Fri. PST 9:00a.m.-5:00p.m.



# Thank You for Choosing Us!



Made in China

---

[contact@gooloo.com](mailto:contact@gooloo.com)