



Recommended yarn

[schachenmayr.com](https://www.schachenmayr.com)

Follow us     

MEZ GmbH, 2020. All rights reserved.

S10676 A

Pina





S10676 A

V.1/BW/CS

# Pina

Design: Arne & Carlos

Crochet

Intermediate



## SIZE

**Width:** approx 12.5"/32 cm

**Height:** approx 16"/41cm

## MATERIALS

**Schachenmayr Catania**, 1.75 oz/50 g ball

Yardage 1.75 oz/50 g = 137 yd/125 m

Col. #00404 (sand) 6 balls

Check yarn labels and use the same dye lot for each color.

The amount of yarn needed can vary from person to person.

1 crochet hook size US C-2/2.5 mm

1 crochet hook size US B-1/2.0 mm

1 yarn needle for sewing in ends

## GAUGE

**Pineapple Stitch with US C-2 (2.5 mm) hook:**

32 sts and 20 rows = 1 rep = 6.25" x 7"/16 cm x 18 cm

20 sts and 11 rows = 4" x 4"/10cm x 10 cm

**Pattern Stitch with US B-1 (2 mm) hook:**

22 sts and 12 rows = 3.5" x 4"/9 cm x 10 cm

24 sts and 12 rows = 4" x 4"/10 cm x 10 cm

## STITCH GLOSSARY

### Base:

Multiple of 5 sts in rnd 1, multiple of 4 sts in rnd 2.

**In rounds:** Follow **crochet chart A**.

Start with a foundation chain.

**Rnd 1:** Work dc along both sides of chain, beginning with ch 3 which counts as the 1st dc, then 1 dc in each ch to the last ch, work 6 dc in the last ch; then work back along the other side of the chain, working 5 dc in the 1st ch, the 1 dc in each ch, end with 1 sl st in first st to join.

**Rnd 2:** Beg with ch 3 which counts as the 1st dc, skip 4 sts, 4 dc in the next st, ★ [skip 4 sts, 4 sts in the next st] twice, ch 8, then [skip 4 sts, 4 sts in the next st] twice; rep from ★, end with [skip 4 sts, 4 sts in the next st] twice, ch 8, skip 4 sts, 3 dc in the 1st ch of beg ch, join with sl st in the 3rd ch of beg ch. For easier reading, rnd 1 is in black, rnd 2 in blue and the beg of rnd in red. The circle symbolizes the beg of rnd 2.

Work rnds 1 and 2 once.

## Pineapple Stitch:

Multiple of 32 sts

**In rounds:** Follow **crochet chart B**.

NOTE: Begin with the 3rd rnd. For better orientation, the 2nd rnd of crochet chart A is drawn again. The circle symbolizes the beg of the round in the 2nd rnd.

**Rnd 3:** Work sts before the rep, begin with ch 3 which counts as the 1st dc, then work the 32-st rep 3 times, work the sts after the repeat and end the rnd as shown. The last st is 1 sl st in the 3rd ch of beg ch.

**Rnds 4 – 22:** Work as shown.

For easier reading, the rows alternate between blue and black and the beg of rnd is shown in red. The gray sts only show the before and after the rnd transition and are not worked.

Rep rnds 3 – 22 once more = 40 rnds.

## Pattern Stitch:

Multiple of 4 sts plus 6

**In rows:** Follow **crochet chart C**. Beg with 3 sts before the rep, work the 4-st rep across, end with 3 sts after the rep.

Rep rows 1 and 2 for pat st.

## INSTRUCTIONS

NOTE: The bag is worked in rounds.

### Base

With US C-2/2.5 mm hook, work **crochet chart A** as follows: Ch 76 plus 3 for turning, which counts as the 1st dc.

**Rnd 1:** Work 1 dc in 4th ch from hook, work a total of 74 dc as described, 6 dc in the last ch, work 74 dc along the other side of the ch, work 5 dc in the 1st ch of the beg ch, join rnd with 1 sl st = 160 dc in total.

**Note:** In the following round the chain loops and sl st join are not counted in the stitch count numbers.

**Rnd 2:** Begin as described (= 5 sts), then rep from ★ work the following 16 sts, as well as the ch 8, 7 times (= 112 sts) and end as described (= 11 sts plus 1 sl st) = 128 sts in total. The st multiple is decreased by 4 sts in each rep = 128 sts.

### Bag

With US C-2 (2.5 mm) hook, follow **crochet chart B**.

Begin with the 3rd rnd.

Work the sts before the repeat, then work 32-st rep 3 times, then the sts after the repeat = 4 reps = 128 sts.

After 42 rnds in total have been worked, rep rnds 20 – 22 once more = 45 rnds. Fasten off.

Total length = approx 16"/41 cm.

**Handle**

With US B-1/2.0 mm hook, ch 25 plus 3 for turning, which counts as the 1st dc. Then work in pat st as follows:

Work 3 sts before the rep, work 4-st rep 4 times, end with 3 sts after the rep = 22 sts.

Work a total of 111 rows. Fasten off.

Total length = approx 36"/92 cm.

**ABBREVIATIONS**

- beg = begin(ning)
- ch = chain
- dc = double crochet
- pat = pattern
- rep = repeat
- rnd(s) = round(s)
- sc = single crochet
- sl st = slip stitch
- st(s) = stitch(es)

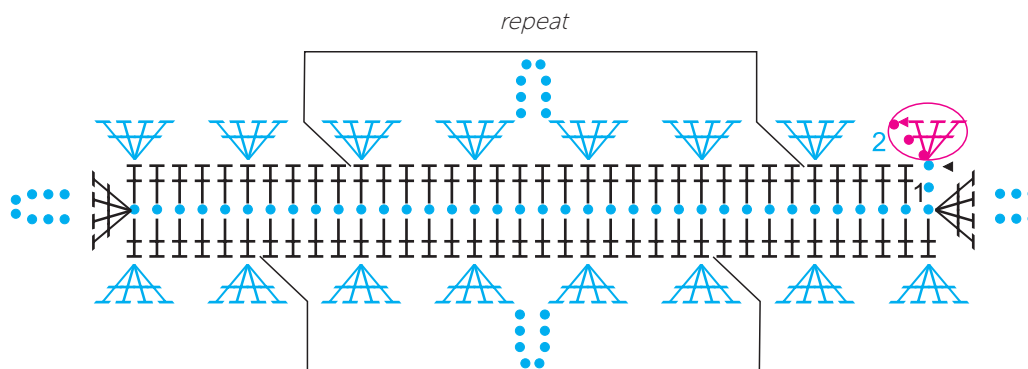
**FINISHING**

Block to measurement.

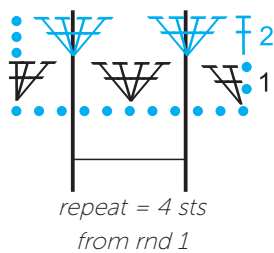
Sew the handles to the sides of the bag.

Sew in ends with yarn needle.

**Crochet Chart A**



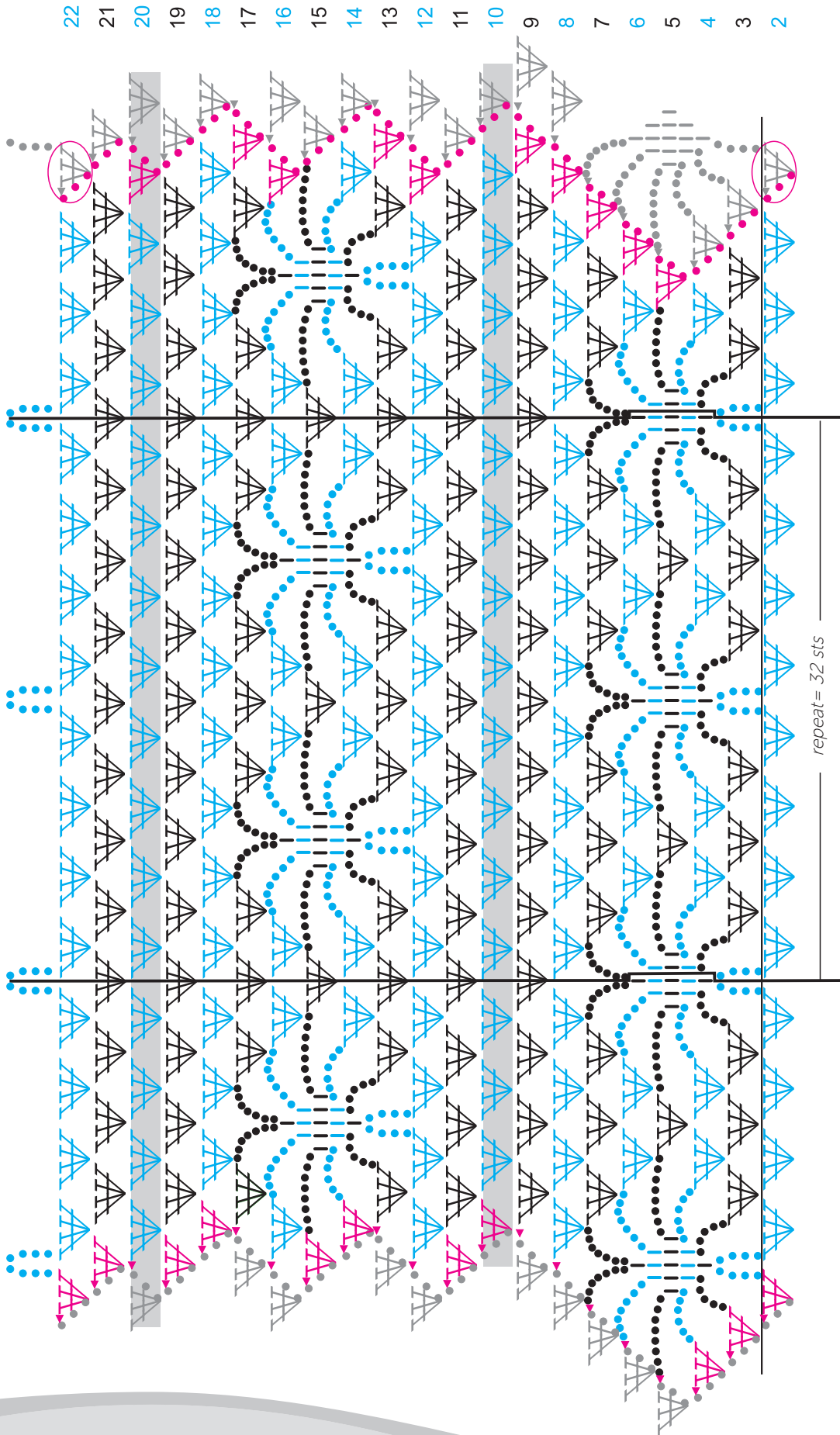
**Crochet Chart C**



**Stitch Key**

- = 1 ch
- ⌈ = 1 dc
- ⌋ = 4 dc in one space
- ⌋ = 1 sc
- ◀ = 1 sl st

Crochet Chart B





Recommended yarn

S10676 B  
**Pina**

[schachenmayr.com](http://schachenmayr.com)






S10676 B

V.1/BW/CS

# Pina

Design: Arne &amp; Carlos

Crochet Intermediate 

## SIZE

**Width:** approx 12.5"/32 cm**Height:** approx 16"/41 cm

## MATERIAL

**Schachenmayr Catania**, 1.75 oz/50 g ball

Yardage 1.75 oz/50 g = 137 yd/125 m

Col. #00419 (tannenbaum) 3 Knäuel

Col. #00424 (kirsche) 1 ball

Col. #00383 (zimt) 1 ball

Col. #00400 (ocean) 1 ball

Col. #00244 (agave) 1 ball

Col. #00240 (hyazinth) 1 ball

Col. #00254 (taupe) 1 ball

Check yarn labels and use the same dye lot for each color.

The amount of yarn needed can vary from person to person.

1 crochet hook size US C-2/2.5 mm

1 crochet hook size US B-1/2.0 mm

1 yarn needle for sewing in ends

## GAUGE

**Pineapple Stitch with US C-2 (2.5 mm) hook:**

32 sts and 20 rows = 1 rep = 6.25" x 7"/16 cm x 18 cm

20 sts and 11 rows = 4" x 4"/10cm x 10 cm

**Pattern Stitch with US B-1 (2 mm) hook:**

22 sts and 12 rows = 3.5" x 4"/9 cm x 10 cm

24 sts and 12 rows = 4" x 4"/10 cm x 10 cm

## STITCH GLOSSARY

### Base:

Multiple of 5 sts in rnd 1, multiple of 4 sts in rnd 2.

**In rounds:** Follow **crochet chart A**.

Start with a foundation chain.

**Rnd 1:** Work dc along both sides of chain, beginning with ch 3 which counts as the 1st dc, then 1 dc in each ch to the last ch, work 6 dc in the last ch; then work back along the other side of the chain, working 5 dc in the 1st ch, the 1 dc in each ch, end with 1 sl st in first st to join.**Rnd 2:** Beg with ch 3 which counts as the 1st dc, skip 4 sts, 4 dc in the next st, ★ [skip 4 sts, 4 sts in the next st] twice,

ch 8, then [skip 4 sts, 4 sts in the next st] twice; rep from ★, end with [skip 4 sts, 4 sts in the next st] twice, ch 8, skip 4 sts, 3 dc in the 1st ch of beg ch, join with sl st in the 3rd ch of beg ch. For easier reading, rnd 1 is in black, rnd 2 in blue and the beg of rnd in red. The circle symbolizes the beg of rnd 2.

Work rnds 1 and 2 once.

### Pineapple Stitch:

Multiple of 32 sts

**In rounds:** Follow **crochet chart B**.

NOTE: Begin with the 3rd rnd. For better orientation, the 2nd rnd of crochet chart A is drawn again. The circle symbolizes the beg of the round in the 2nd rnd.

**Rnd 3:** Work sts before the rep, begin with ch 3 which counts as the 1st dc, then work the 32-st rep 3 times, work the sts after the repeat and end the rnd as shown. The last st is 1 sl st in the 3rd ch of beg ch.**Rnds 4 – 22:** Work as shown.

For easier reading, the rows alternate between blue and black and the beg of rnd is shown in red. The gray sts only show the before and after the rnd transition and are not worked.

Rep rnds 3 – 22 once more = 40 rnds.

### Pattern Stitch:

Multiple of 4 sts plus 6

**In rows:** Follow **crochet chart C**. Beg with 3 sts before the rep, work the 4-st rep across, end with 3 sts after the rep.

Rep rows 1 and 2 for pat st.

## STRIPE PATTERN

**1. to 9. rnd:** Tannenbaum**10. rnd:** Kirsche**11. to 19. rnd:** Zimt**20. rnd:** Ocean**21. to 29. rnd:** Agave**30. rnd:** Hyazinth**31. to 39. rnd:** Taupe**40. rnd:** Kirsche**41. to 45. rnd:** Tannenbaum

Work these 45 rnds 1 time.

### INSTRUCTIONS

NOTE: The bag is worked in rounds.

#### Base

With US C-2/2.5 mm hook and with Tannenbaum, work **crochet chart A** as follows:

Ch 76 plus 3 for turning, which counts as the 1st dc.

**Rnd 1:** Work 1 dc in 4th ch from hook, work a total of 74 dc as described, 6 dc in the last ch, work 74 dc along the other side of the ch, work 5 dc in the 1st ch of the beg ch, join rnd with 1 sl st = 160 dc in total.

**Note:** In the following round the chain loops and sl st join are not counted in the stitch count numbers.

**Rnd 2:** Begin as described (= 5 sts), then rep from ★ work the following 16 sts, as well as the ch 8, 7 times (= 112 sts) and end as described (= 11 sts plus 1 sl st) = 128 sts in total. The st multiple is decreased by 4 sts in each rep = 128 sts.

#### Bag

With US C-2 (2.5 mm) hook, follow **crochet chart B**.

Begin with the 3rd rnd and work in stripe pat.

Work the sts before the repeat, then work 32-st rep 3 times, then the sts after the repeat = 4 reps = 128 sts.

After 42 rnds in total have been worked, rep rnds 20 – 22 once more = 45 rnds. Fasten off.

Total length = approx 16"/41 cm.

#### Handle

With US B-1 (2.0 mm) hook with Tannenbaum, ch 25 plus 3 for turning, which counts as the 1st dc. Then work in pat st as follows:

Work 3 sts before the rep, work 4-st rep 4 times, end with 3 sts after the rep = 22 sts.

Work a total of 111 rows. Fasten off.

Total length = approx 36"/92 cm.

### FINISHING

Block to measurement.

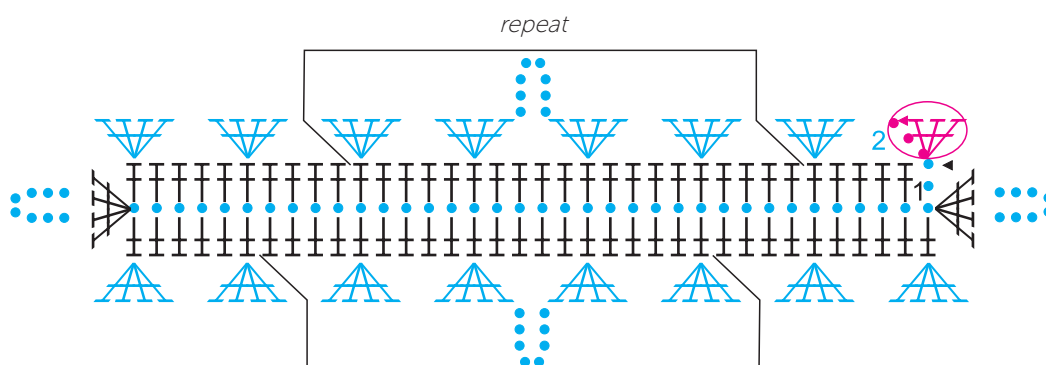
Sew the handles to the sides of the bag.

Sew in ends with yarn needle.

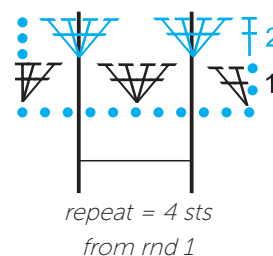
### ABBREVIATIONS

beg	= begin(ning)
ch	= chain
dc	= double crochet
pat	= pattern
rep	= repeat
rnd(s)	= round(s)
sc	= single crochet
sl st	= slip stitch
st(s)	= stitch(es)

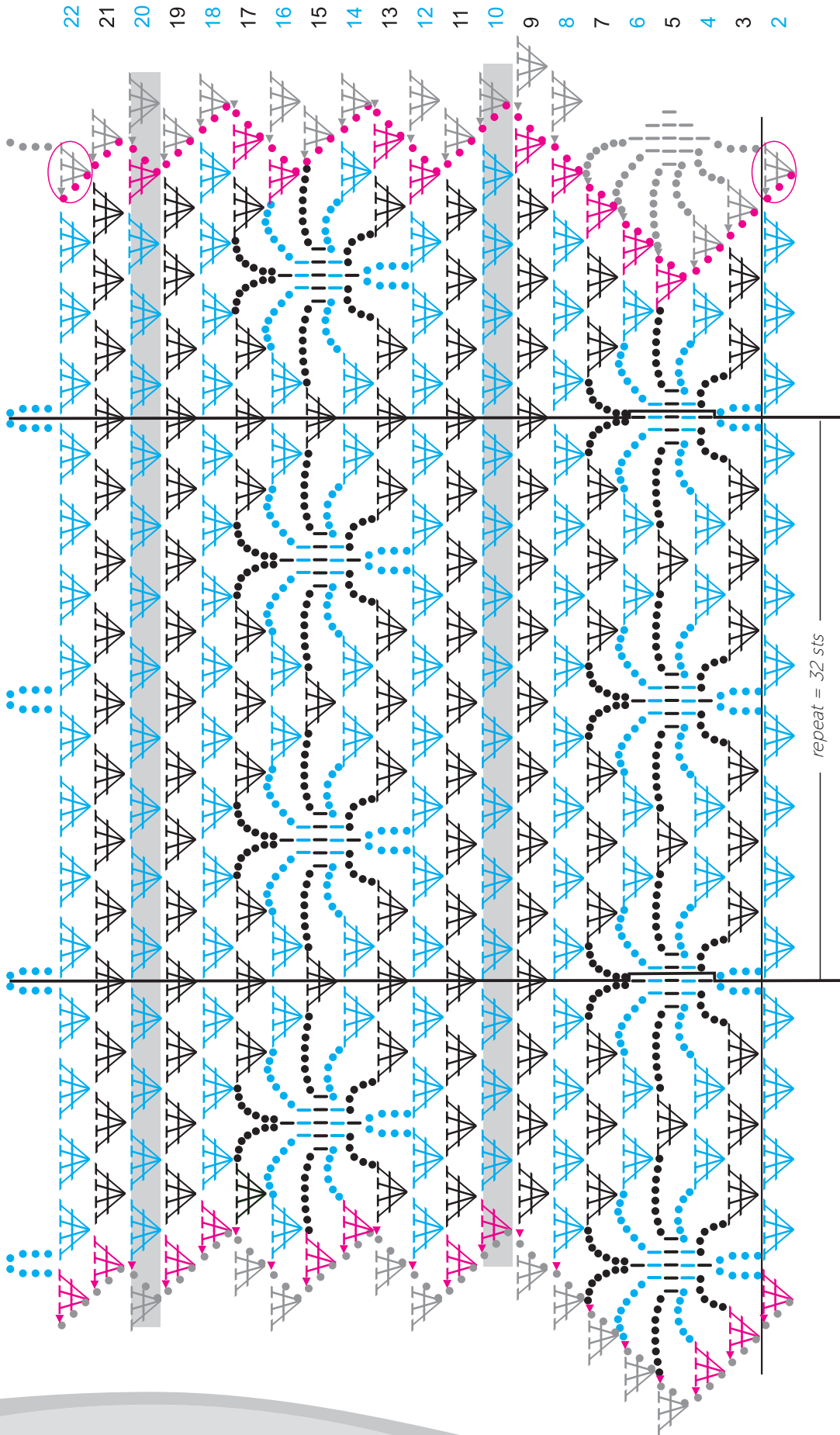
**Crochet Chart A**



**Crochet Chart C**



Crochst Chart B



repeat = 32 sts

Stitch Key

- = 1 ch
- = 1 SC
- ⊥ = 1 dc
- ◀ = 1 sl st
- ⚡ = 4 dc in one space