

Mobile X-Ray System  
**MobileArt Evolution**  
MX7 Version



# MobileArt Evolution MX7 Version

## The Advent of an Advanced Mobile System Featuring Superb Image Quality and Easy Handling

Modern medical facilities require rapid examinations under a variety of situations.

This newly launched, state-of-the-art mobile system is available in two forms: the standard type, which further enhances the highly-acclaimed maneuverability and easy handling of Shimadzu mobile systems and the high-power type, with 32 kW maximum power output for superior image quality.

This high-power type ensures blur-free images and short exposure times, even for children and patients who find it difficult to keep still.

The system provides powerful support in medical facilities, thanks to easy positioning in restrictive locations, and outstanding operability, which allows intuitive movement of the unit by the operator.

This is truly a reliable mobile system.

Excellent Performance  
Supports Easier  
Ward Radiography



### Stylish and Brilliant Driving

This stylish and compact instrument design  
is reassuring to hospital patients.

The body features a bright,  
fresh contrast of gentle colors that imparts a clean, relaxed feeling.



# Brilliant Driving and Outstanding Operability

Reliable basic functionality delivers superb performance



## Intuitive maneuverability

Shimadzu's acclaimed power-assist function allows the operator to drive the MobileArt Evolution naturally, simply by applying light pressure to the drive handle. The unit moves just as the operator desires, achieving excellent handling when navigating around the wards. The MobileArt Evolution provides unrivalled turning and maneuverability.

## Safety alarm when driving

To avoid accidents when maneuvering the MobileArt Evolution around crowded medical facilities, an alarm can be used while in motion to alert others to the presence of the unit.

## Shock-resistant body design

The body cover has been strengthened to prevent damage should the unit hit an object when moving around the wards. The unique soft-touch bumper automatically stops the unit when even the slightest pressure is detected. The stylish body is designed to be highly shock-resistant.

## Low driving noise, ensuring quiet hospital environments

The silent motor and enhanced unit rigidity reduce driving noise. Quiet enough for ward radiography even at night.

## Inch-mover buttons

Press the inch-mover buttons on the front of the collimator to inch the unit backwards or forwards. As a safety measure, any force applied to the drive handle during inch-mover operations stops movement of the unit. In addition, an interlock prevents X-ray irradiation while the MobileArt Evolution is in motion.



## All Free buttons

Press one of the [All Free] buttons to release all electromagnetic locks on arm rotation, arm extension, and vertical movement of the X-ray tube. An [All Free] button is also located on the arm, to allow column-side positioning as well as from the collimator.

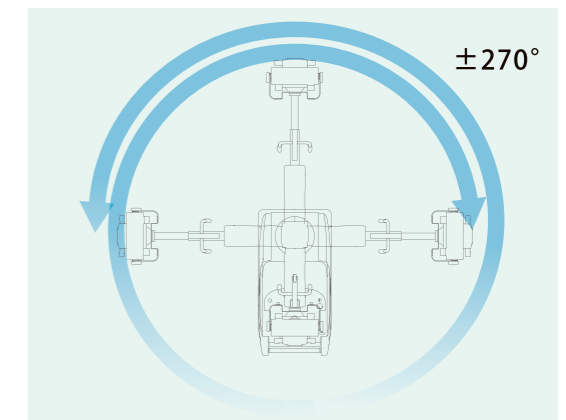


## Easy positioning

The counterbalance system ensures smooth operation and accurate positioning. It easily supports fine positioning and multidirectional radiography.

## Wide imaging range

The extra-long 1200 mm maximum arm can freely rotate to provide coverage over an extensive imaging range. This provides powerful support for radiography in confined spaces around beds.



## New energy saving collimator with a bright irradiation field

LEDs have been adopted as the light source to indicate the irradiation field. This reduces power consumption while improving brightness levels and durability.



# Great Image Quality You Can Trust

High image quality at the optimal instant, even with patients who are unable to maintain a fixed posture



## Blurring suppressed by short exposure time

Images tend to become blurred due to body movements during radiography, especially with children or emergency patients who find it difficult to maintain a fixed posture. The MobileArt Evolution lineup features a high-power type that reduces exposure times. The 32 kW maximum power output delivers excellent image quality and short exposure times. This ensures sharp images with minimal blurring, even if the patient moves.

High-Power Type

Max. output **32 kW**

Short exposure times

Inverter frequency	Max. 60 kHz
Tube voltage	Max. 133 kV
Tube current-time product	Max. 320 mAs

\*) Maximum output of the standard type is 12.5 kW.

\*) Maximum tube voltage of the standard type is 125 kV.

## Clear illuminated indication of exposure timing

Both Ready Up and Exposure statuses, which largely control the exposure timing, are indicated by the brightly illuminated, easy to read indicators. The exposure field lamp also lights up again in the Ready Up status. The exposure timing can thus be accurately confirmed at a distance from the unit, allowing the operator to instruct the patient when to hold their breath.



## APR buttons for one-touch setup of radiography conditions



Simply select one of the 72 preset anatomical programs (APR) to configure the optimal radiography conditions for the corresponding radiography region, direction, and body thickness. The focal spot size can also be preset in the high-power type. The collimator efficiently eliminates X-rays outside of the focal spot, creating sharper images.

APR

8

×

3

×

3

=

72

Regions
Directions
Body thicknesses
Programs

## Illuminated hand switch Option

The optional illuminated hand switch lights up in different colors to show the Ready Up or Exposure status, providing a clear indication of the exposure timing.







## Striving for Lower X-Ray Exposure Dose

Enhancing patient peace of mind

### X-ray exposure dose display



The dose calculation function calculates the dose area product, based on the collimator opening size and the X-ray parameters, and displays it on the main unit.

If an optional dose area product meter is included, the actual measured dosage can be displayed, rather than the calculated value.

In addition, if an optional distance meter is included, the distance to the patient can be displayed at the top of the collimator.

(A distance meter cannot be installed if a dose area product meter is installed.)

## Extra Convenience

Great features help to overcome the restrictions of ward radiography

### Designed for daily use

For your daily use, extra storage spaces are provided to store wipes, pens, markers, etc. A slit has been added for holding the cassette vertically while putting a sterile cover on the unit.



### Additional hand switch

Option

To permit improved patient care, an extra illuminated hand switch can be installed on the front of the unit (column side).



### Keyless access

Option

Setting passwords for each operator allows them to use the system without a key.





# Options

## Grid case

Accommodates two grid holders.

\*) Cannot be used in combination with the large cassette box.



## Large cassette box

Holds 15 14" x 17" cassettes



## Adjustable drive handle height

During installation, the drive handle can be set at 4 cm, 6 cm, or 9 cm above the standard height. This makes ward radiography tasks more comfortable for tall operators.

## Radiation shield (folding type)

## Remote controller



# Product Lineup and Specifications



(Standard specification)

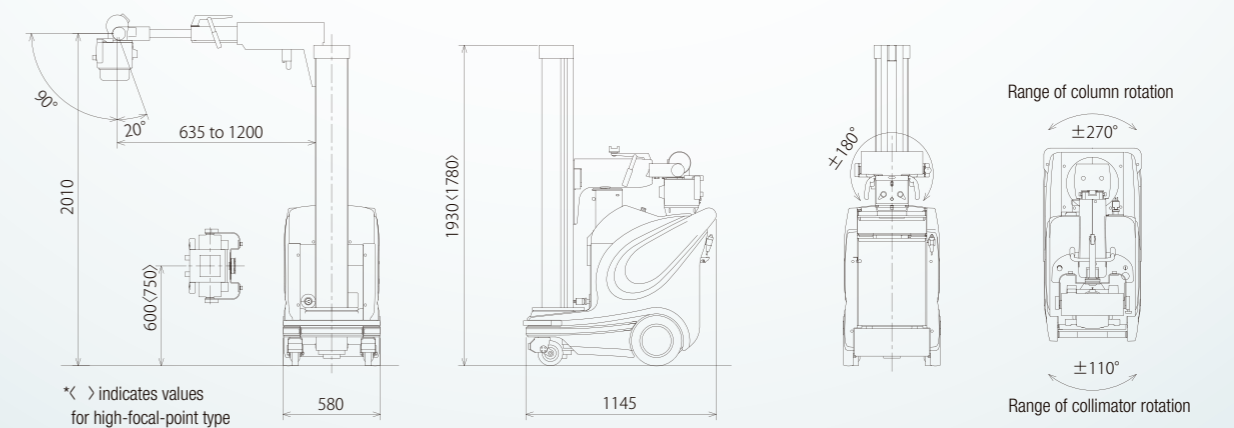
## Flexible choices for you:

Column Height
1930 mm (Standard) or 1780 mm (Short) + Extension



Generator Power
32 kW or 12.5 kW

## External Dimensions (mm)



Founded in 1875, Shimadzu Corporation, a leader in the development of advanced technologies, has a distinguished history of innovation built on the foundation of contributing to society through science and technology. We maintain a global network of sales, service, technical support and applications centers on six continents, and have established long-term relationships with a host of highly trained distributors located in over 100 countries. For information about Shimadzu, and to contact your local office, please visit our Web site at [www.shimadzu.com](http://www.shimadzu.com)



## Shimadzu Corporation

### Headquarters

1, Nishinokyo-Kuwabara-cho, Nakagyo-ku, Kyoto 604-8511, Japan  
<https://www.shimadzu.com/med/>



Shimadzu Corporation Medical Systems Division has been certified by TÜV Rheinland as a manufacturer of medical systems in compliance with ISO9001:2008 Quality Management Systems and ISO13485:2003 Medical Devices Quality Management Systems.

### Remarks:

- Every value in this catalogue is a standard value, and it may vary a little from the actual at each site.
- The appearances and specifications are subject to change for reasons of improvement without notice.
- Certain configurations may not be available pending regulatory clearance. Contact your Shimadzu representative for information on specific configurations.
- Before operating this system, you should first thoroughly review the Instruction Manual.