



MALMET (AUSTRALIA) PTY LTD

## Blanket and Fluid Warming Cabinets



Certified System  
Quality  
ISO 9001  
SAI-GLOBAL



Contact us today  
Phone: +61 2 6953 7677  
info@malmet.com.au  
www.malmet.com.au



## Malmet Blanket Warming Cabinet 260 Litre

Reduce the risk of hypothermic reaction, post-operative discomfort and stress in patients. Blankets are gently heated to restore body temperature post surgery, and assist thermo-regulation. Blanket warming cabinets are recommended for Recovery, Maternity, General Ward, Specialist and Intensive Care Units.

Dimensions:	908mm H x 850mm W x 577mm D
Voltage:	240V, 2.8 Amps
Phase:	Single
Hertz:	50
Capacity	Up to 18 Blankets
Volume	260 litres
Set Temperature	60°C
Max temp setting:	60°C
Power consumption:	7.8kW 24 hr
Cabinet Stand:	615mm H x 850mm W x 526mm D
Floor bench skirt	80mm H x 850mm W x 526mm D

ARTG Certification 289497 Class 1



BWS

## Malmet Fluid Warming Cabinet 260 Litre

The only safe and accurate method of determining and maintaining saline, irrigation, glycine, parenteral and IPD fluid temperature to the manufacturer's recommendations. Fluid warming cabinets are essential in Maternity, Recovery, Theatre, Specialist and Intensive Care units.

Dimensions:	908mm H x 850mm W x 577mm D
Voltage:	240V, 2.8 Amps
Phase:	Single
Hertz:	50
Capacity	60 x 1litre bags of fluid (or equivalent)
Volume	260 litres
Set Temperature	37°C
Max temp setting:	50°C
Power consumption:	7.8kW 24 hr
Cabinet Stand:	615mm H x 850mm W x 526mm D
Floor bench skirt	80mm H x 850mm W x 526mm D

ARTG Certification 188762 Class 1

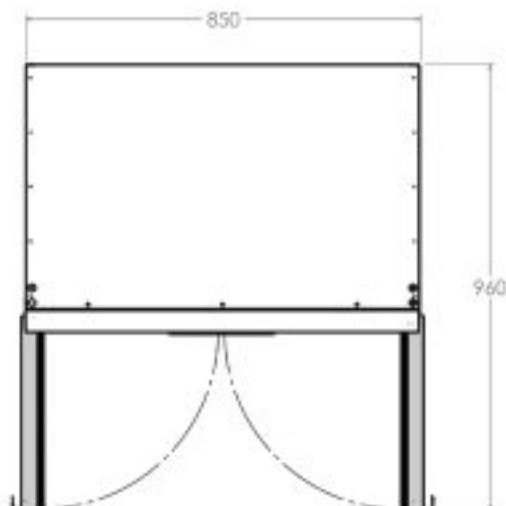
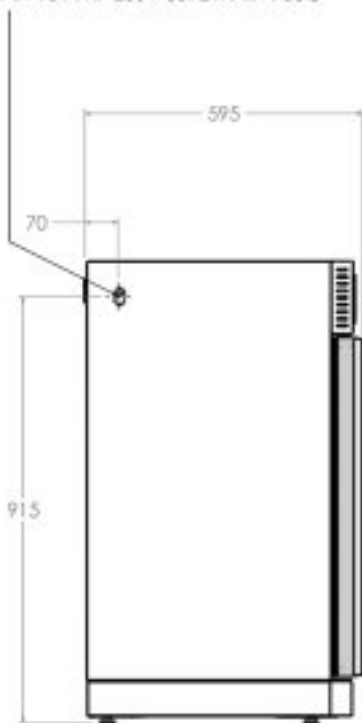


FWFB



## Malmet Blanket Warming Cabinet 260 Litre

MAINS POWER SUPPLY CONNECTION  
A CERTIFIED 2Mtr POWER CABLE IS SUPPLIED  
FITTED WITH A 3 PIN 10 AMP 250V 50Hz MAIN PLUG





## Malmet Blanket and/or Fluid Warming Cabinets 260 Litre

- Stainless steel construction with insulation cavity, exterior is cool to touch
- Double glazed doors for inventory monitoring
- Magnetic door closure
- Adjustable shelving: Suitable to store 1litre and 2 litre bottles and bags
- Sensor plate for actual fluid temperature monitoring
- Capacity for up to 36 blankets or 120 x 1litre bags of fluid (or equivalent)
- Volume - 260 litres (per cavity)
- Over temperature protection (5°C above setting) and temperature lock-out
- Fan-assisted convection heating
- Multi-purpose installation: Wall mounted, freestanding or with floor/bench skirt
- Castors (2 fixed, 2 swivel and lockable) optional
- Adjustable shelving:
  - Fluid: 4 wire shelves, bottom
  - fixed Blanket: 3 wire shelves

Models Available:

### Blanket Models (ARTG Cert #289497 Class 1)

Product Code	Model No	Description
8-A00-83-100	BWM	MALMET BLANKET WARMING CABINET 260 Litre (WALL MOUNTED)
8-A00-83-102	B260S	MALMET BLANKET WARMING CABINET 260 Litre (WITH STAND)
8-A00-83-104	BWFB	MALMET BLANKET WARMING CABINET 260 Litre (WITH FLOOR / BENCH SKIRT)
8-A00-83-106	BWFC	MALMET BLANKET WARMING CABINET 260 Litre (FREESTANDING WITH CASTORS)

### Fluid Models (ARTG Cert #188762 Class 1)

Product Code	Model No	Description
8-A00-84-100	FWM	MALMET FLUID WARMING CABINET 260 Litre (WALL MOUNTED)
8-A00-84-102	FWS	MALMET FLUID WARMING CABINET 260 Litre (WITH STAND)
8-A00-84-104	FWFB	MALMET FLUID WARMING CABINET 260 Litre (WITH FLOOR / BENCH SKIRT)
8-A00-84-106	FWFC	MALMET FLUID WARMING CABINET 260 Litre (FREESTANDING WITH CASTORS)

### Warming Cabinets (Freestanding)

Product Code	Model No	Description
8-A00-86-101	BBWF	MALMET BLANKET / BLANKET WARMING CABINET 260 Litre x 2 (FREESTANDING)
8-A00-86-103	FFWF	MALMET FLUID / FLUID WARMING CABINET 260 Litre x 2 (FREESTANDING)
8-A00-86-105	FBWF	MALMET FLUID / BLANKET WARMING CABINET 260 Litre x 2 (FREESTANDING)
8-A00-86-107	BSWF	MALMET BLANKET WARMING / STORAGE CABINET 260 Litre x 2 (FREESTANDING)

### Warming Cabinets (Freestanding with Castors)

Product Code	Model No	Description
8-A00-86-113	BBWFC	MALMET BLANKET / BLANKET WARMING CABINET 260 Litre x 2 (FREESTANDING WITH CASTORS)
8-A00-86-114	FFWFC	MALMET FLUID / FLUID WARMING CABINET 260 Litre x 2 (FREESTANDING WITH CASTORS)
8-A00-86-115	FBWFC	MALMET FLUID / BLANKET WARMING CABINET 260 Litre x 2 (FREESTANDING WITH CASTORS)
8-A00-86-116	BS260C	MALMET BLANKET WARMING / STORAGE CABINET 260 Litre x 2 (FREESTANDING WITH CASTORS)
8-A00-86-117	FS260C	MALMET FLUID WARMING / STORAGE CABINET 260 Litre x 2 (FREESTANDING WITH CASTORS)



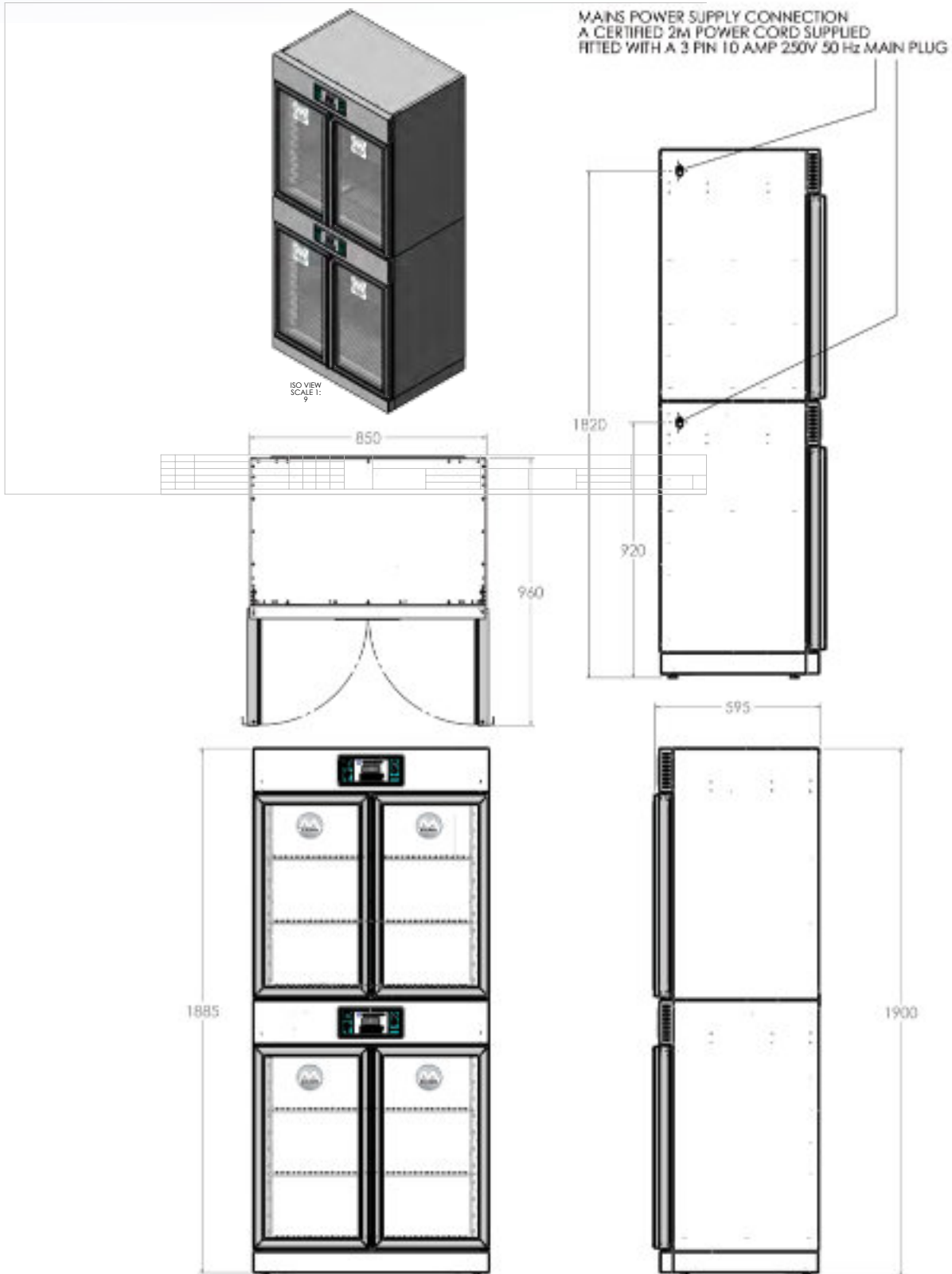
FBWF



BS260C



## Malmet Blanket and/or Fluid Warming Cabinets 260 Litre Combination





## Malmet Warming Cabinet 420 Litre

- Stainless steel construction with insulation cavity, exterior is cool to touch
- Double glazed doors for inventory monitoring
- Magnetic door closure
- Adjustable shelving: Suitable to store 1litre and 2 litre bottles and bags
- Sensor plate for actual fluid temperature monitoring
- Capacity for up to 30 blankets or 91x 1litre bags of fluid (or equivalent)
- Volume - 420 litres
- Over temperature protection (5°C above setting) and temperature lock-out
- Fan-assisted convection heating
- Castors (2 fixed, 2 swivel and lockable) optional
- Adjustable shelving:
  - Fluid: 7 wire shelves, bottom fixed
  - Blanket: 6 wire shelves



FWTFC

Models Available:

### Blanket Models

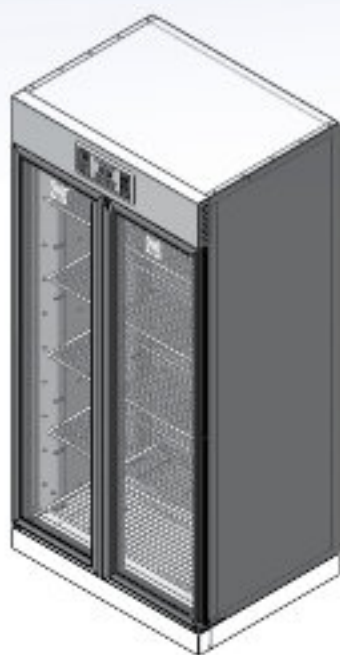
Product Code	Model No	Description
100-1000	BWTFB	MALMET BLANKET WARMING CABINET 420 Litre (WITH FLOOR/ BENCH SKIRT)
100-1001	BWTFC	MALMET BLANKET WARMING CABINET TALL 420 Litre (FREESTANDING WITH CASTORS)

ARTG Certification 289497 Class 1

### Fluid Models

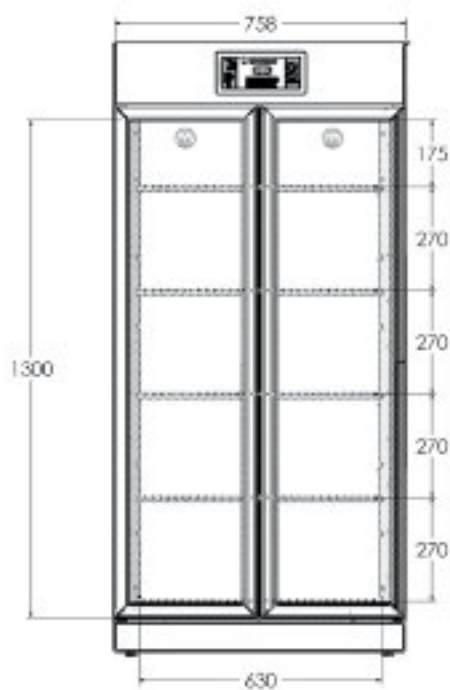
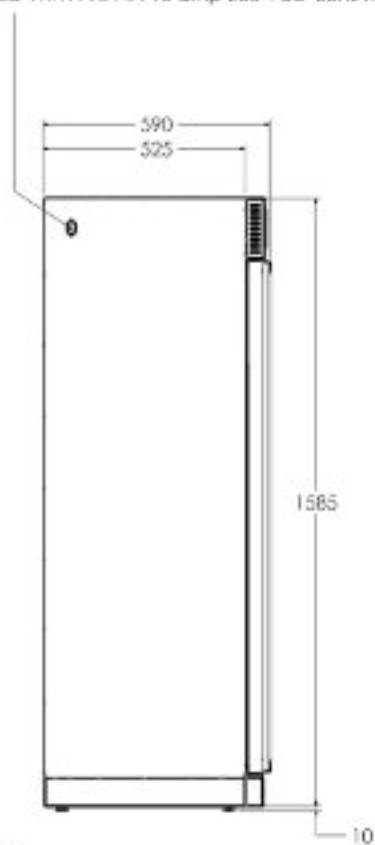
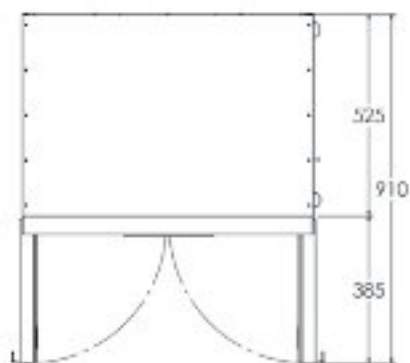
Product Code	Model No	Description
100-1100	FWTFB	MALMET FLUID WARMING CABINET 420 Litre (WITH FLOOR/ BENCH SKIRT)
100-1101	FWTFC	MALMET FLUID WARMING CABINET 420 Litre (FREESTANDING WITH CASTORS)

ARTG Certification 188762 Class 1



## Malmet Warming Cabinet 420 Litre

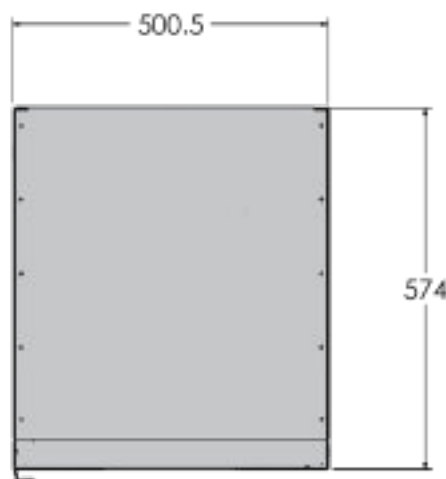
MAINS POWER SUPPLY CONNECTION  
A CERTIFIED 2Mtr POWER CABLE IS SUPPLIED  
FITTED WITH A 3 PIN 10 amp 250 Vac. 50Hz MAIN PLUG



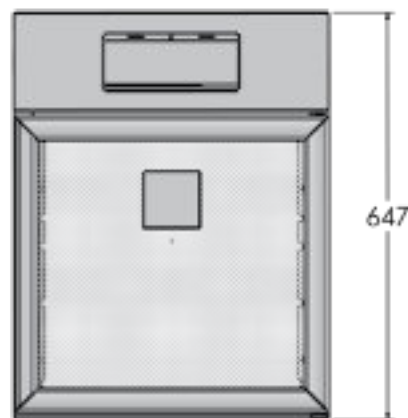


# Products For Release In 2019

## Malmet Benchtop Warming Cabinet 105 Litre



TOP VIEW



FRONT VIEW

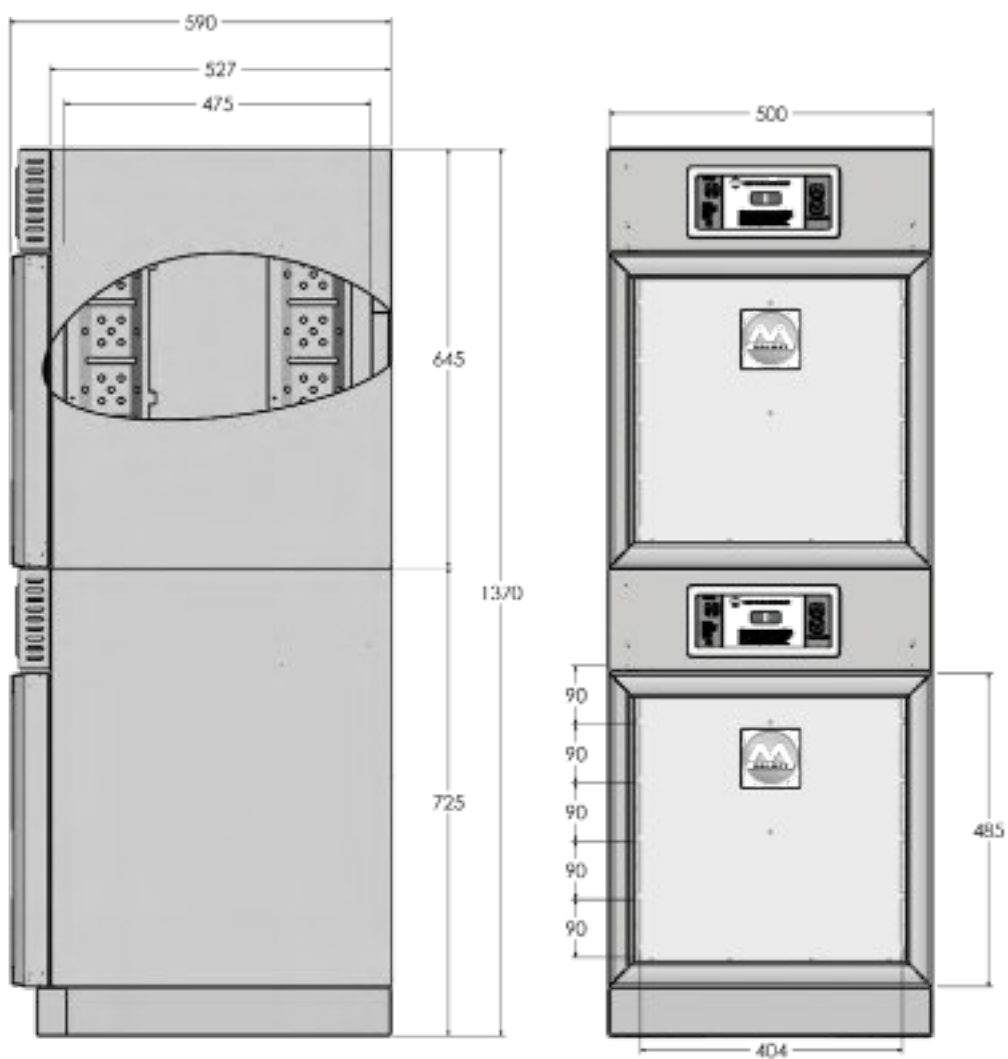


SIDE VIEW





**Malmet Warming Cabinet 105 Litre**





## SERVICE DIVISION

### Robust technology, easy to service, local spare parts

One of the cornerstones underpinning Malmet is our commitment to excellence in customer service. At all levels of our company - from the production floor to our sales and management staff - integrity and professionalism mark the way we do business. Malmet Service manage the service for the Malmet brand of hospital equipment. All Malmet Service Technicians are comprehensively factory trained offering a professional and competitive service.

Urgent service/breakdown requests are attended to within a 24 hour period.

Malmet prides itself on achieving outstanding customer service satisfaction, obtaining 9/10 and higher on all Customer Service Quality Audits.

Malmet have their own service technicians to cover most of NSW/ACT, with authorised service agents for other areas. Interstate, Malmet have fully trained authorised service agents to cover most of Australia.

### Preventative Maintenance Agreements and Validation Testing and Certification

With the changes to the Healthcare Industry accreditation process more facilities are required to show that all equipment is maintained according to the manufacturers recommendations. Malmet recognises this need and are pleased to offer Preventative Maintenance Agreements (PMA) for all Malmet products, and Validation Testing and Certification in accordance with AS4187:2014 and ISO15883

PMA's take into consideration the quality, age and usage of the products to give the most suitable scheduled competitive agreement tailored to the facilities requirements. Malmet or its authorised service agents can offer a competitive, professional PMA tailored to your organisation.





# MET

Malmet (Australia) Pty Ltd is a privately owned and operated Australian family business belonging to the Celi Group of Companies.

Malmet is a leading manufacturer of Infection Control Solutions and Specialised Hospital Equipment and Aged Care Equipment for CSSD, Recovery, Obstetrics, Theatre and Ward Utility Rooms.

Malmet has been manufacturing hospital and aged care equipment since 1969, and supplies hospitals and nursing homes throughout Australia and the International market through a comprehensive network of distributors and agents.

All Malmet products are manufactured at the Malmet Leeton, NSW site which is ISO 9001 and ISO 13485 Certified.

# Product Range

Tall Warming Cabinet  
FWTFC



Malmet Instrument and Anaesthetic Apparatus Drying Cabinet  
DC12



Malmet Fluid and Blanket Warming Cabinet  
FBWFC



Malmet Blanket Warming Cabinet - with Stand  
BWS



Malmet Utensil/Bowl Washer Disinfector, Top Loading  
WDT2



Malmet Bedpan/Urinal Bottle Washer Disinfector  
ES-D



Malmet Bedpan/Urinal Bottle and Utensil/Bowl Washer Disinfector  
WDS



Malmet Rack (for Bedpan & Urinal Bottles with Wall Plate & Drip Tray)  
BR6-PR6 + WT

## National Head Office & Customer Service

### For Correspondence:

9-11 McKay, Leeton, NSW 2705 Australia

### General Sales, Service, Export Enquiries & Accounts

Ph. +612 6953 7677 Email: [info@malmet.com.au](mailto:info@malmet.com.au)

### Warning:

This brochure contains general information only. If you require accurate dimensions or any other details which may affect your installation, please contact Malmet. E.&O.E. In the interest of continued product improvement, Malmet reserves the right to alter design and product specifications without notice. E.&O.E. For further information on warranty terms and conditions, please refer to Malmet's Warranty Statement.

MEDICAL RECEPTACLES SHOWN IN ALL PHOTOS ARE NOT INCLUDED WITH UNITS.

PBL005 0119

