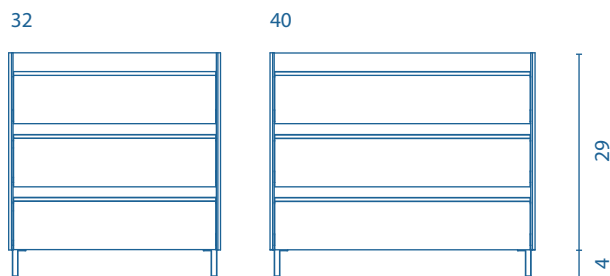


Bento

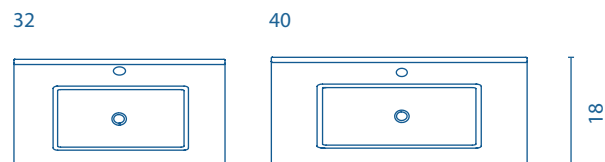
UNITS

Depth 18



WASHBASIN

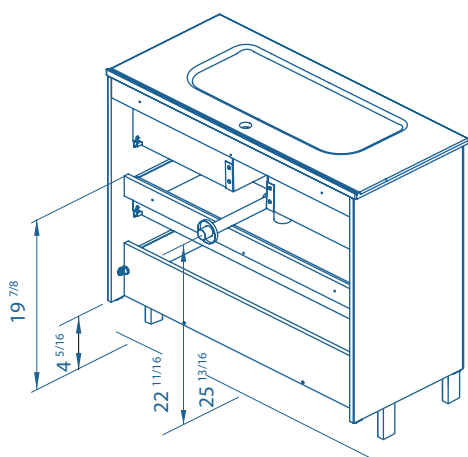
Kyra



TECHNICAL INFORMATION

- STRUCTURE:** MDF board in 7/10 in continuous wrapping in 2D.
- FRONT :** MDF board in 7/10 in continuous wrapping in 2D.
- HANDLE:** Metal handle.
- DRAWER:** Drawers made in mokka textile poly laminate coated board with hidden partial extraction and high quality runners with soft close system. Includes organizer for small items in upper drawer. Lower drawer useful space (widthxhighxdepth): 28x4x13 in (32 in), 36x4x13 in (39 in).
- WALL HANGING BRACKET:** Hidden hanging brackets with direct assembling system, great resistance and depth regulation.
- LEGS:** Metallic in bright chrome finish with adjustable legs included in unit.
- TUBE DEPTH:** Tube depth 3 in.

SIPHON PLACEMENT



Finishes



GLOSS WHITE

