

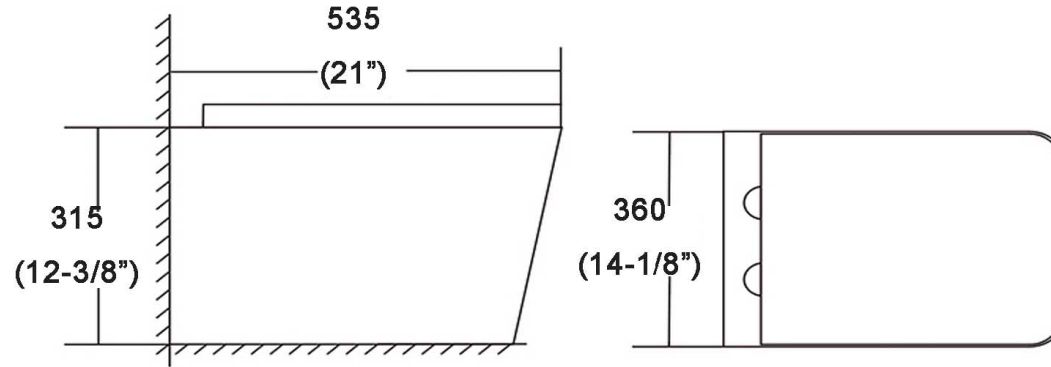


JOB NAME: _____ SPECIFIER: _____ PCS: _____
DATE REQUIRED: _____ NOTE: _____

EB-WH007

WALL HUNG TOILET

- Vitreous china
- Wall Mount Square Bowl
- P-trap
- Rimless Wash Down Flush System
- UF Slow Close Seat
- Dual Flush 1.1/1.6GPF
- Nominal Dimensions:
· 21" x 14 1/8" x 12 3/8"



COLOR: WHITE

CODES & STANDARDS

Meets or exceeds the following:

- ASME A112.19.2-2013 / CSA B45.1-13
- ASME A112.19.14-2013
- IAPMO/cUPC
- HET (High Efficiency Toilet)

Dimensions may vary (+) or (-) 1/4". Dimensions shown in parentheses are in millimeters: 25.4 mm = 1 inch. Note: Fixture dimensions are nominal and conform with dimension and performance requirements of ASME A112.19.2-2013/CSA B45.1-13 standards. Emory & Bond is not responsible for the use of superceded or voided specification information.

www.emorybond.com

Customer Support:
Call : (973)-482-4444
e-mail: info@emoryandbond.com

