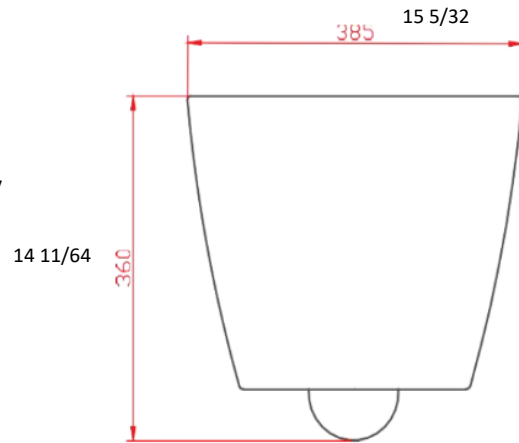
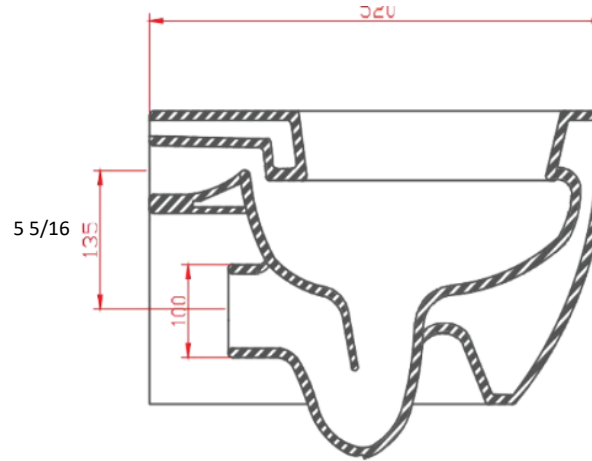


EBWH002

- Vitreous china
- P-trap Bowl
- Washdown action
- 3/4.5 LPF, 1.2 GPF
- Soft close seat sold separately (MPN: EB005SEAT)
- Fully Glazed Trapway
- Factory Flush Tested



EMORY & BOND EBWH002 NEPTUNE SERIES TOILET

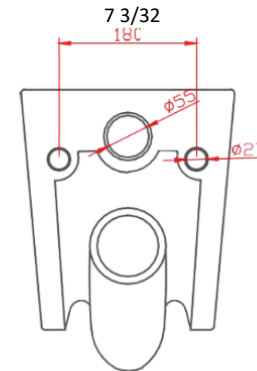
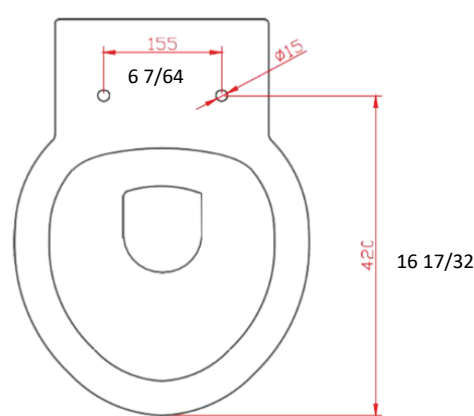


COLOR: WHITE

CODES & STANDARDS

Meets or exceeds the following:

- ASME A112.19.2-2013
- CSA B45.1-13
- HET (High Efficiency Toilet)



Dimensions may vary (+) or (-) 1/4". Dimensions shown in parentheses are in millimeters: 25.4 mm = 1 inch. Note: Fixture dimensions are nominal and conform with dimension and performance requirements of ASME A112.19.2-2013/CSA B45.1-13 standards. Emory & Bond is not responsible for the use of superseded or voided specification information.