

EBCRCU1913W

Vitreous China Lav Sink



CLIPS INCLUDED

OUTSIDE DIMENSION: 21 5/16" x 15"

INSIDE DIMENSION: 18 1/2" x 12 3/8"

DEPTH: 6 3/8"

INSTALLATION : UNDERMOUNT

CONFIGURATION: SINGLE BOWL

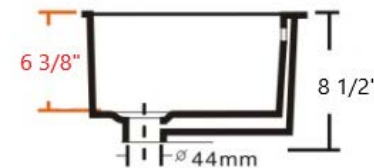
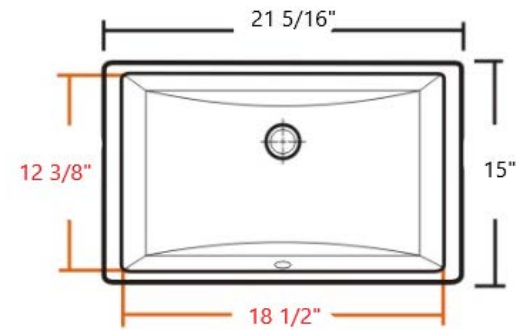
FRONT OVERFLOW HOLE

JOB NAME: _____

CONTRACTOR : _____

TOTAL PCS : _____ EST NEED BY ___ / ___ / ___

NOTES:



emory & bond

WWW.EMORYBOND.COM