

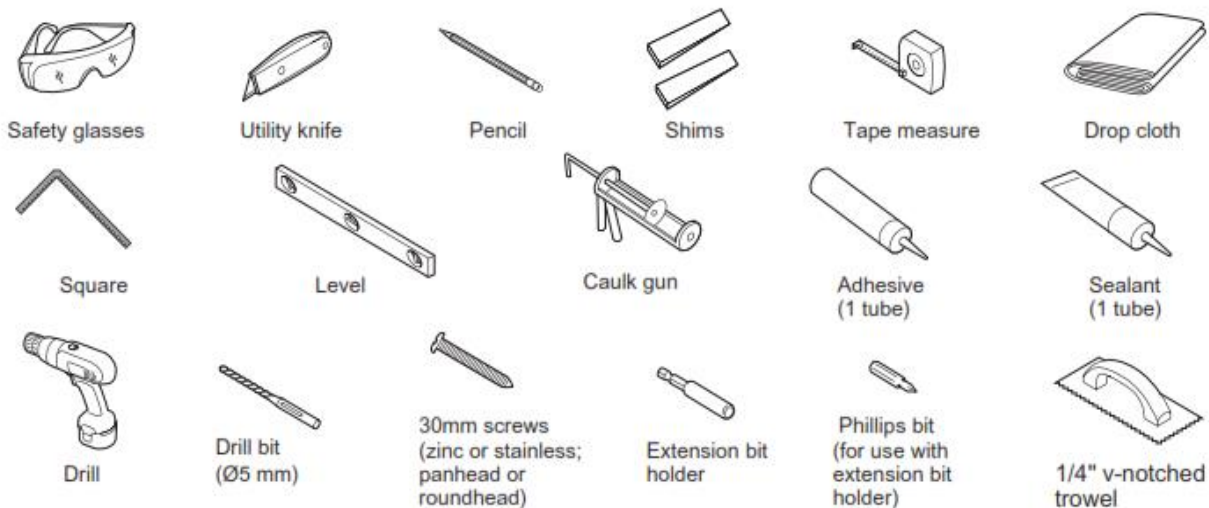
emory & bond

Installation Manual

Drop-in Bathtubs

Installation Planning and Preparation

TOOLS AND MATERIALS REQUIRED



🎯 Lumber for additional wall studs if installing wall set; refer to wall set installation instructions

TIP : You may want to install insulation

REQUIREMENTS FOR SUCCESSFUL INSTALLATION



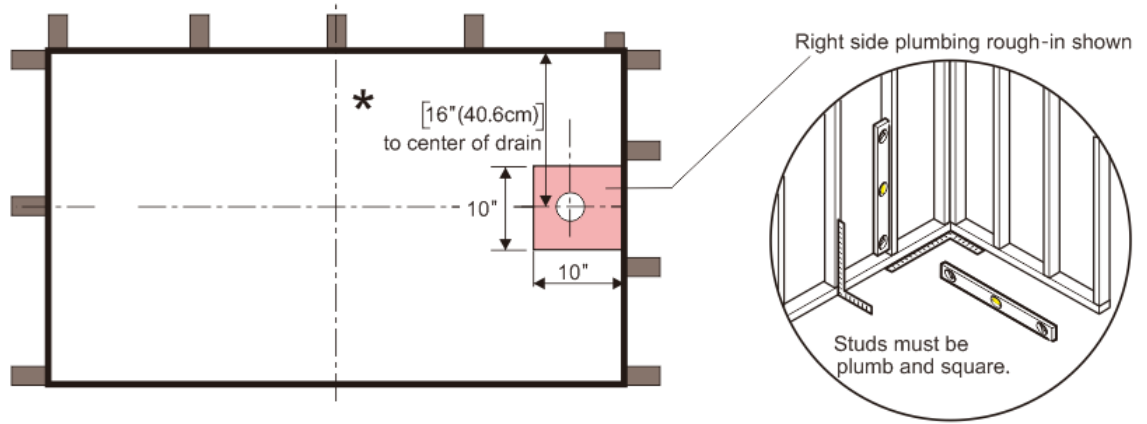
DO NOT: Use drywall screws to secure flanges to wall studs.

Product damage will occur and will void the warranty.

Entire bottom support must be in contact with a flat, level surface.

1. Read complete instructions before beginning installation.
2. Confirm that your model will fit in intended location and plumbing is located where required before beginning installation.
3. Walls and sub-floor must be solid, plumb and square.
4. If installation surface is not level, use leveling compound or mortar bed for proper installation.
5. Use drop cloth to protect bathtub from damage during installation.
6. Two people recommended to install this product.

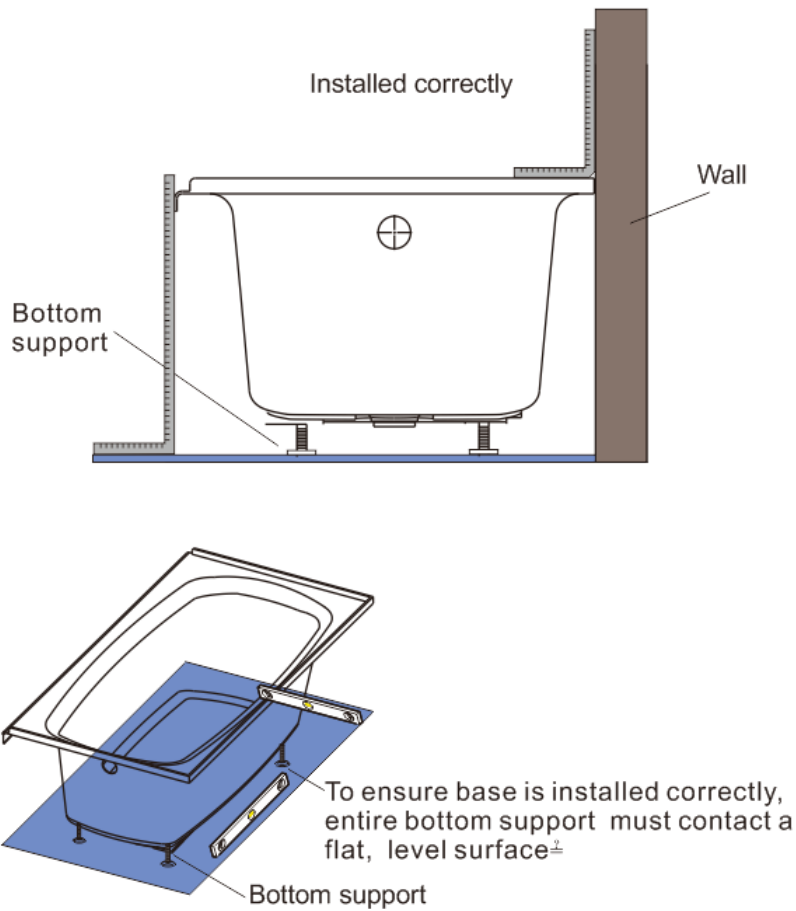
ROUGHING-IN



* Rough plumbing must be installed before bathtub installation.

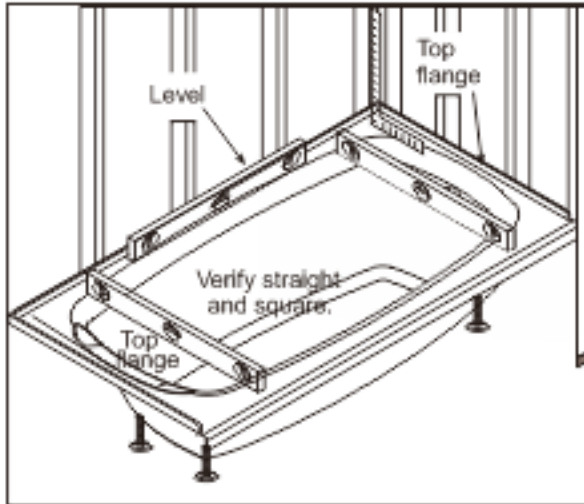
BATHTUB INSTALLATION

A:

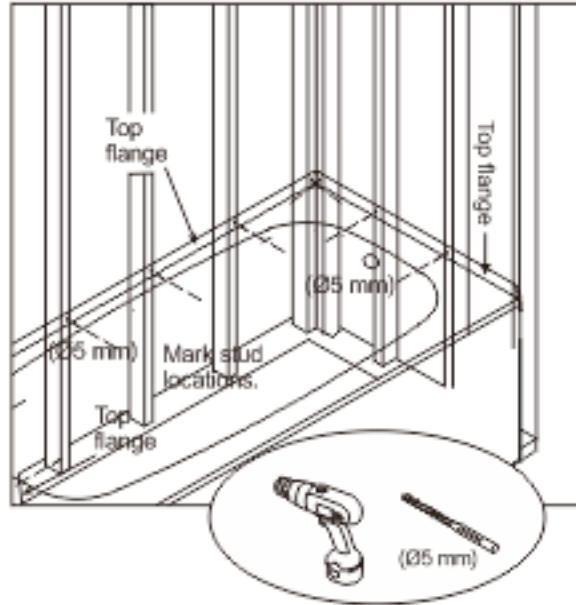


- ⊙ **Do not install the product with any air gaps under the bottom support or product damage will occur**
- ⊙ **TIP: If installation surface is not level, use leveling compound or mortar bed for proper installation.**

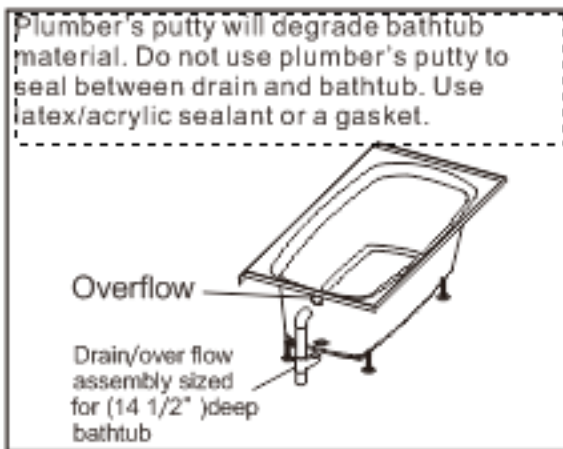
B.



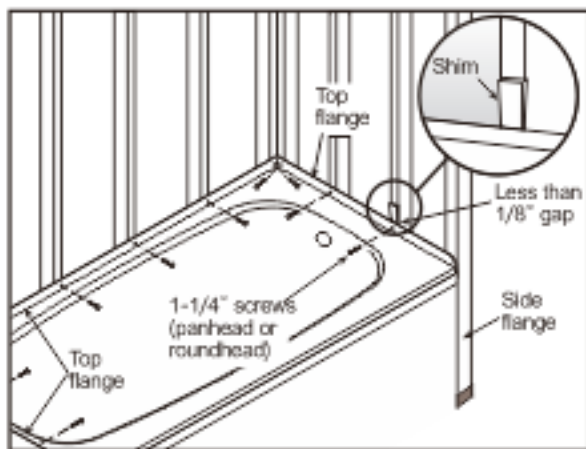
C.



D.



E.



TIP: Place drop cloth in bathtub and stand inside bathtub to press it to floor when securing to wall studs.