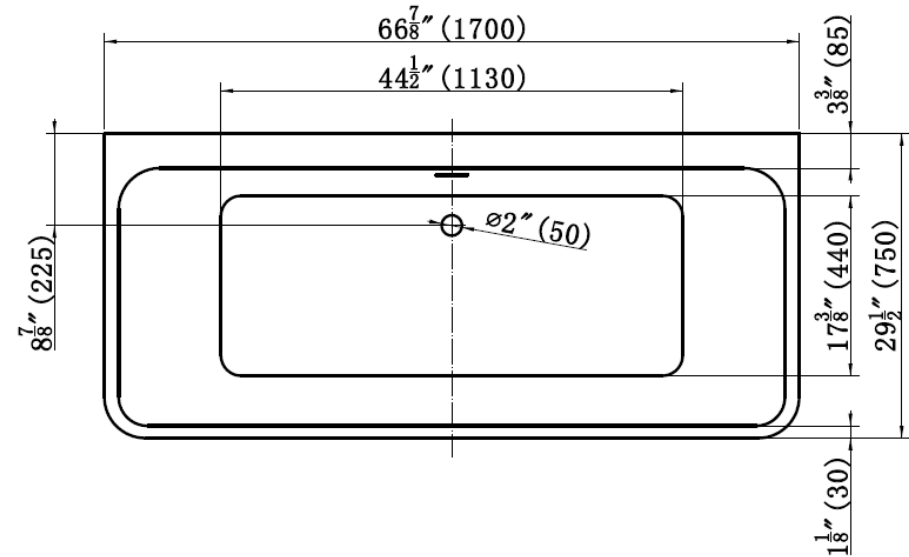
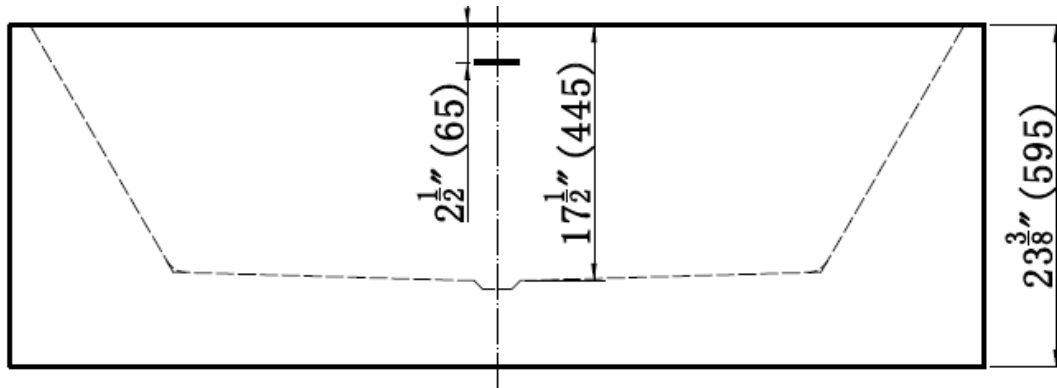


EB40667

CUMBERLAND SERIES
FREE STANDING ACRYLIC TUB
RECTANGULAR DESIGN
SLOTTED OVERFLOW
ROUND DRAINHOLE
MEETS CUPC STANDARDS
5 ADJUSTABLE SUPPORT FEET
NOMINAL SIZE 67" X 30" X 23"

emory & bond





All pictures shown are for illustration purposes only.
Actual product may vary due to product enhancement.

Customer Support:

Call : (973)-482-4444

e-mail: info@emoryandbond.com

www.emoryandbond.com

  @emoryandbond