

# EB40460

*emory & bond*

## CAMDEN SERIES

FREE STANDING ACRYLIC TUB

OVAL DESIGN

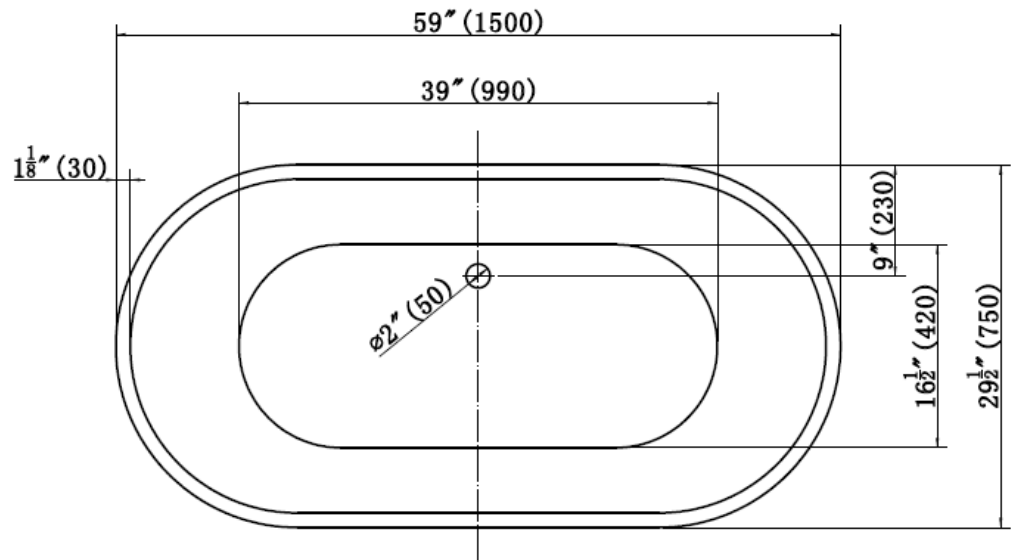
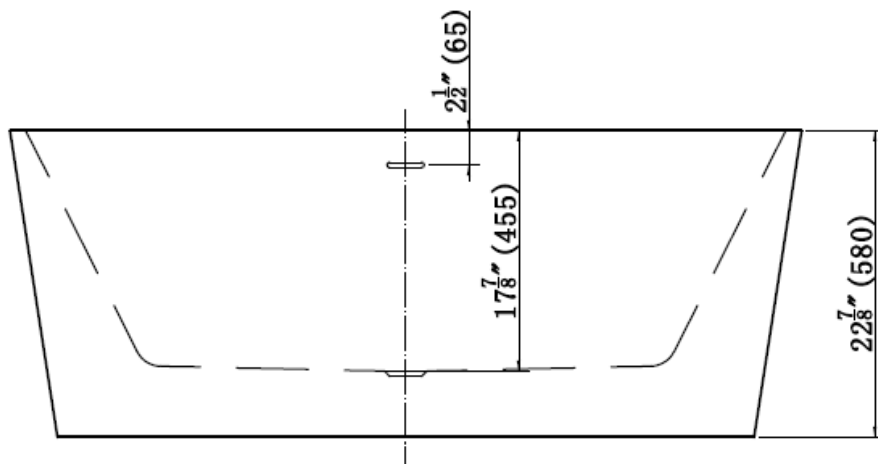
SLOTTED OVERFLOW

ROUND DRAINHOLE

MEETS CUPC STANDARDS

5 ADJUSTABLE SUPPORT FEET

NOMINAL SIZE 60" X 30" X 23"





All pictures shown are for illustration purposes only.  
Actual product may vary due to product enhancement.

### Customer Support:

Call : (973)-482-4444

e-mail: [info@emoryandbond.com](mailto:info@emoryandbond.com)

[www.emoryandbond.com](http://www.emoryandbond.com)

  @emoryandbond