

# EB40360

## BURLINGTON SERIES

FREE STANDING ACRYLIC TUB

RECTANGULAR DESIGN

SLOTTED OVERFLOW

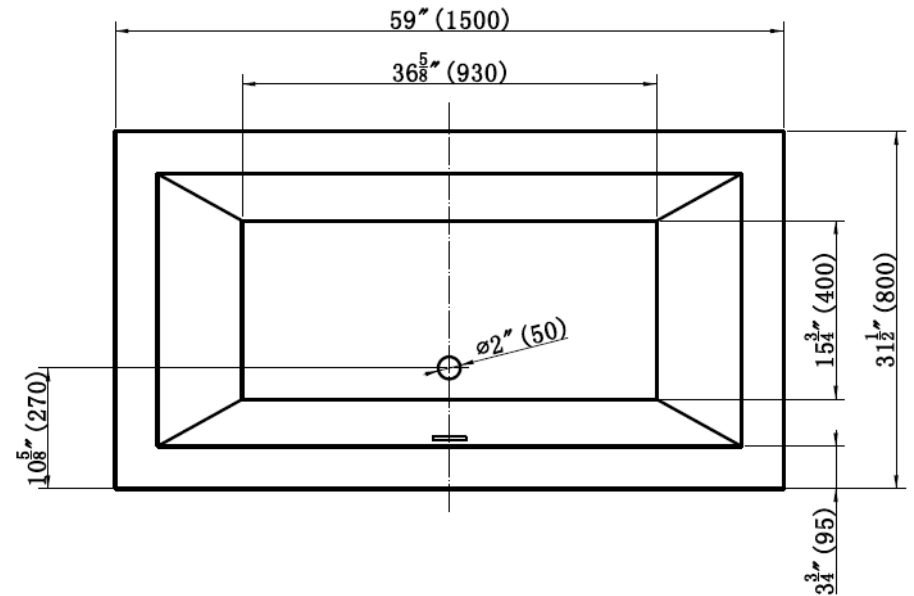
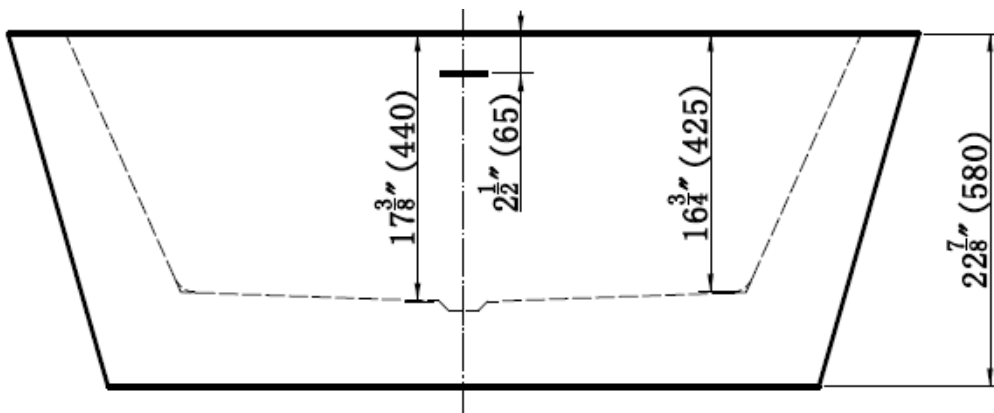
ROUND DRAINHOLE

MEETS CUPC STANDARDS

5 ADJUSTABLE SUPPORT FEET

NOMINAL SIZE 60" X 32" X 23"

*emory & bond*





All pictures shown are for illustration purposes only.  
Actual product may vary due to product enhancement.

### Customer Support:

Call : (973)-482-4444

e-mail: [info@emoryandbond.com](mailto:info@emoryandbond.com)

[www.emoryandbond.com](http://www.emoryandbond.com)

  @emoryandbond