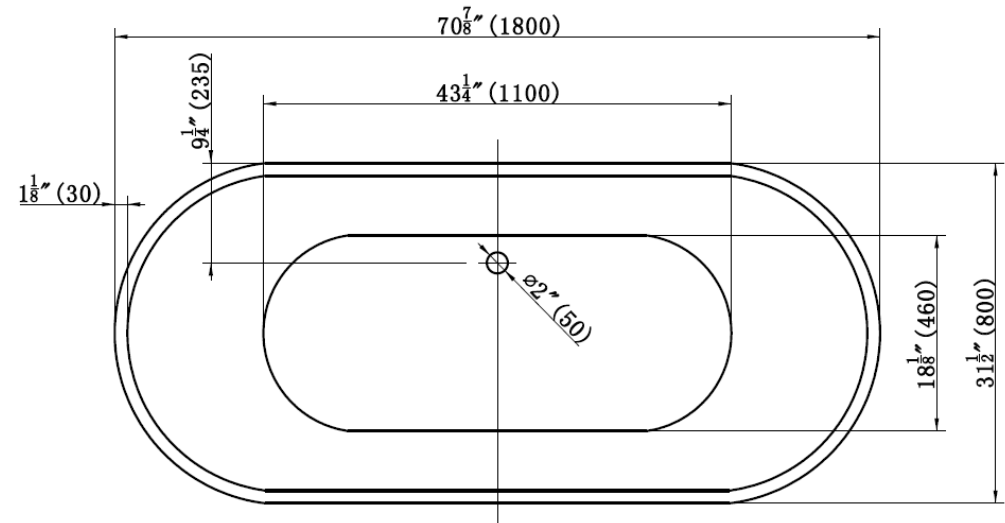
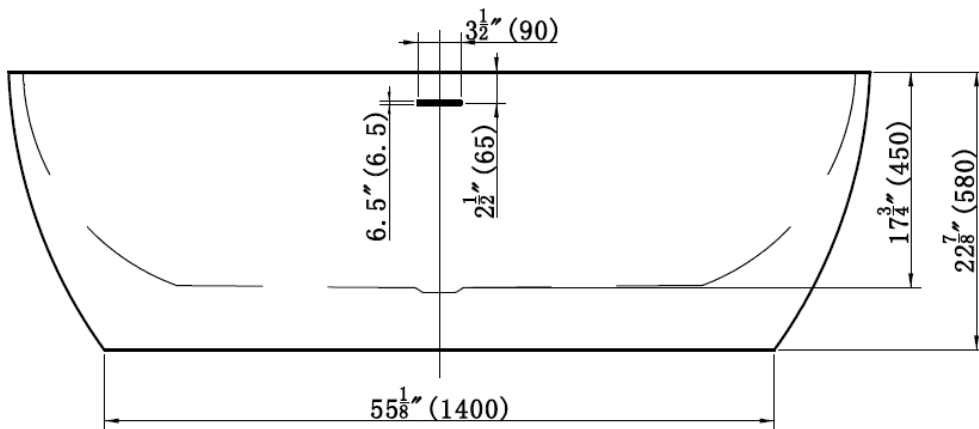


EB40171



emory & bond

ATLANTIC SERIES
FREE STANDING ACRYLIC TUB
OVAL DESIGN
SLOTTED OVERFLOW
ROUND DRAINHOLE
MEETS CUPC STANDARDS
5 ADJUSTABLE SUPPORT FEET
NOMINAL SIZE 71" X 32" X 23"



All pictures shown are for illustration purposes only.
Actual product may vary due to product enhancement.

www.emoryandbond.com

  @emoryandbond