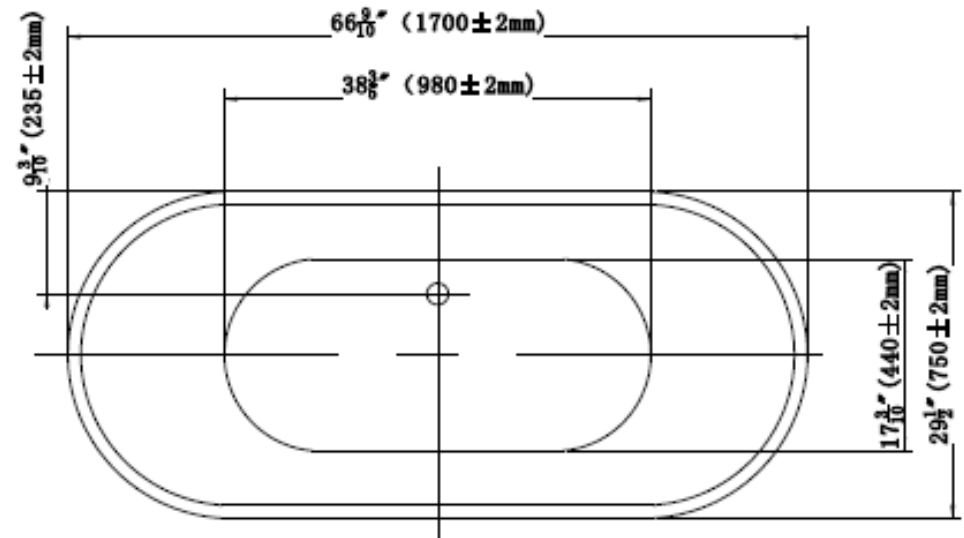
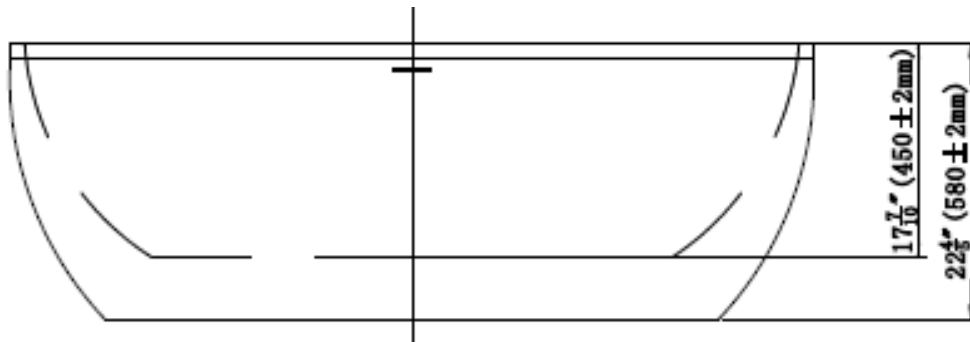


# EB40167

emory & bond

ATLANTIC SERIES  
FREE STANDING ACRYLIC TUB  
OVAL DESIGN  
SLOTTED OVERFLOW  
ROUND DRAINHOLE  
MEETS CUPC STANDARDS  
5 ADJUSTABLE SUPPORT FEET  
NOMINAL SIZE 67" X 30" X 23"





All pictures shown are for illustration purposes only.  
Actual product may vary due to product enhancement.

**Customer Support:**

Call : (973)-482-4444

e-mail: [info@emoryandbond.com](mailto:info@emoryandbond.com)

[www.emoryandbond.com](http://www.emoryandbond.com)

  @emoryandbond