



JOB NAME: _____ SPECIFIER: _____ PCS: _____
DATE REQUIRED: _____ NOTE: _____

EB-40071A

- Vitreous china
- S-trap, 12" roughing-in
- 18 1/2" from seat bolt to front
- 16 11/32" height of bowl
- 1.6 Gpf/ 1.1 Gpf Dual flush
- 76mm/3" tank outlet
- 50mm/2" fully-glazed trapway
- Minimum of MaP test: 800g
- Nominal Dimensions:
· 28 5/32" X 14 61/64" X 29 17/32"

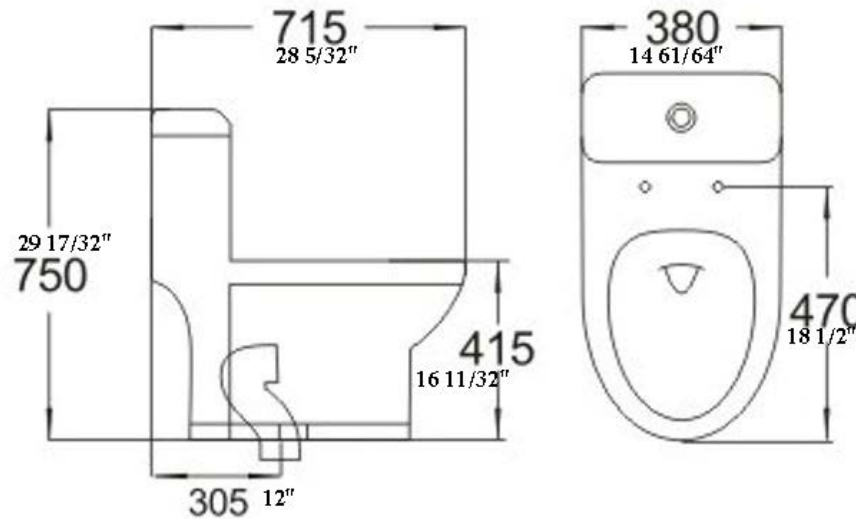
COLOR: WHITE

CODES & STANDARDS

Meets or exceeds the following:

- ASME A112.19.2-2013
- IAPMO/cUPC
- CSA B45.1-13
- HET (High Efficiency Toilet)
- EPA WaterSense

SIPHONIC 1PIECE TOILET, ADA, DUAL FLUSH



Dimensions may vary (+) or (-) 1/4". Dimensions shown in parentheses are in millimeters: 25.4 mm = 1 inch. Note: Fixture dimensions are nominal and conform with dimension and performance requirements of ASME A112.19.2-2013/CSA B45.1-13 standards. Emory & Bond is not responsible for the use of superseded or voided specification information.

Customer Support:

Call : (973)-482-4444

e-mail: info@emoryandbond.com

www.emorybond.com



@emoryandbond