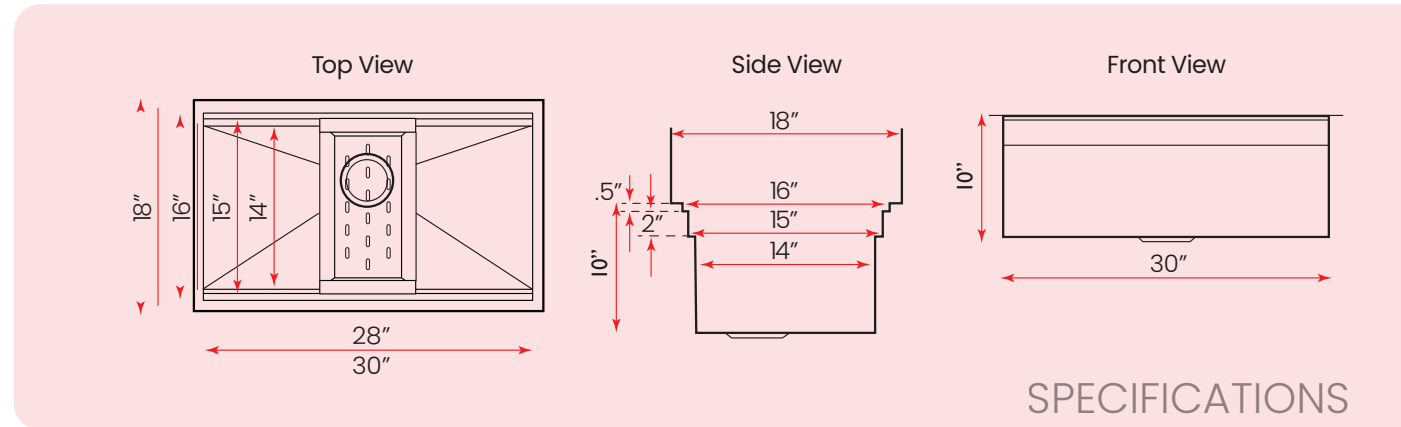
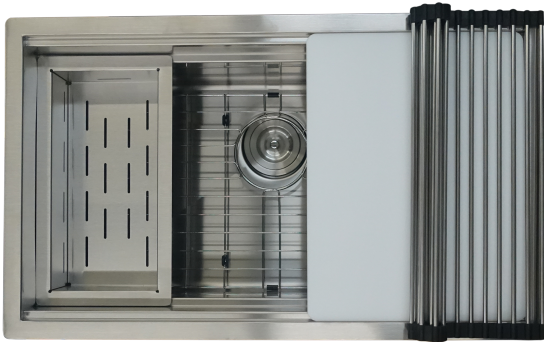




Professional Series

Large 30" Prep Station
Single Bowl
Undermount
Stainless Steel



Features:

- Premium 304, 16 gauge stainless steel kitchen sink
- Colander drain and grid included
- Cutting board included, fits on 16" ledge
- Colander, fits on 15" ledge
- Satin finish
- Insulated to reduce condensation
- Rubber padding is applied for noise reduction
- Professional installation recommended

Overall Dimensions	30" x 18"
Interior Bowl	28" x 14"
Interior Ledge Dimensions	28" x 16"; 28" x 15"
Bowl Depth	10"
Bottom Grid	Included
*Additional Accessories	RUM - Roll Up Mat

*Not included