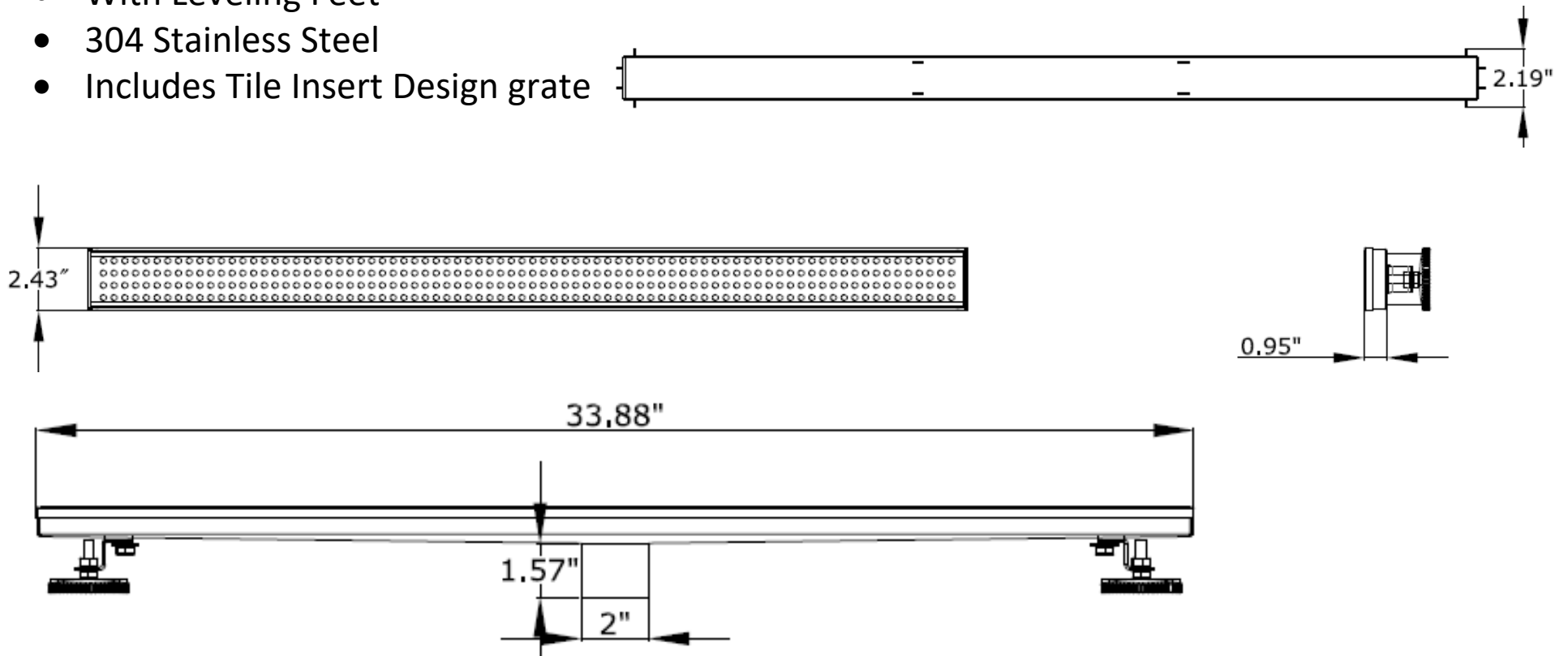


EB31608NF

EMORY
& BOND

Linear Drain w/Grate

- Down Outlet 2" Center Drain
- No Flange
- Nominal Exposed Channel size 33 7/8" L x 2 7/16 "W
- With Leveling Feet
- 304 Stainless Steel
- Includes Tile Insert Design grate





All pictures shown are for illustration purposes only.
Actual product may vary due to product enhancement.

Customer Support:

Call : (973)-482-4444

e-mail: info@emoryandbond.com

www.emoryandbond.com

  @emoryandbond