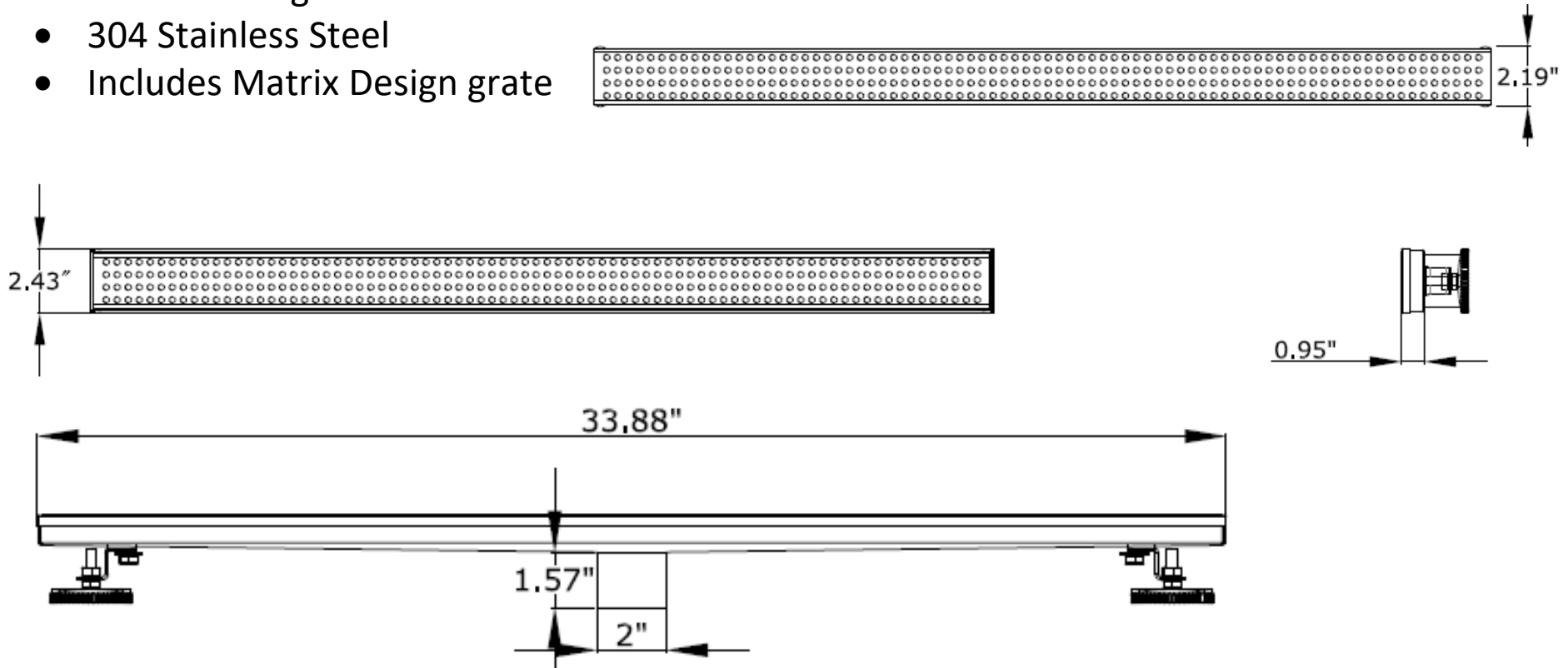


# EB31606NF

EMORY  
& BOND

## Linear Drain w/Grate

- Down Outlet 2" Center Drain
- No Flange
- Nominal Exposed Channel size 33 7/8" L x 2 7/16 "W
- With Leveling Feet
- 304 Stainless Steel
- Includes Matrix Design grate





All pictures shown are for illustration purposes only.  
Actual product may vary due to product enhancement.

### Customer Support:

Call : (973)-482-4444

e-mail: [info@emoryandbond.com](mailto:info@emoryandbond.com)

[www.emoryandbond.com](http://www.emoryandbond.com)

  @emoryandbond