

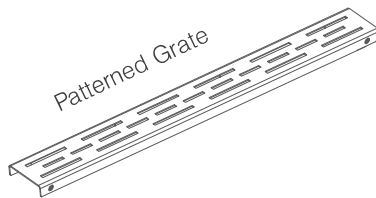
Installation Instructions

EMORY & BOND

The information provided in these instructions are general guidelines and a licensed professional is recommended for installation. See warranty specifications as warranty will be void if the products installed with a conspicuous defect.

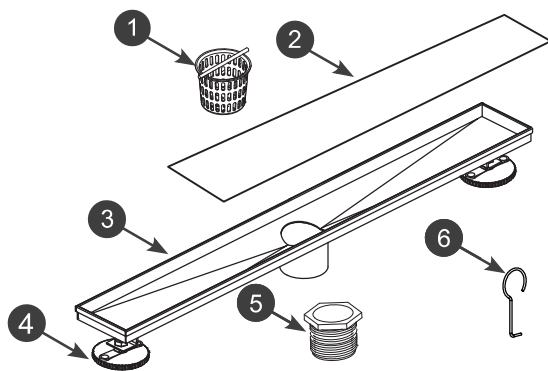
Grating and Parts

Patterned Design



This linear drain is for the patterned and/or coated grating design.

Note: Only **ONE** piece of your ordered grating is in the packaging box.



Other Parts

- 1 Stainless strainer
- 2 Dust cloth / protecting the channel
- 3 Drain body / Channel
- 4 Leveling feet / 2 PCS
- 5 Threaded adaptor / adjusting drain height
- 6 Grate & strainer lifting hook

Preparation

The **substrate** should be smooth, level, clean and free of all dirt, oil laitance, paint, concrete sealer or curing compounds. Dry dusty concrete slabs should be dampened and excess water should be swept off.

The following **tools and materials** may be needed: hole saw, crescent wrench, level, utility knife, ruler or tape measure, pencil, notched trowel, weep protectors, silicone, solvent cement.

Site and Placement

Whether for a renovation or new construction, choosing the drain location is contingent on the waste line location, which may be predetermined or already installed. Moving a waste line may be possible, depending on site conditions.

Please be sure to read carefully before installation.

Drain Installation Steps

1. Coupling the drain base outlet to 2" or 3" schedule 40 DWV pipe using **correct** solvent cement.
2. Block the drain opening with a rag. Trowel mortar to build shower pan, reinforce around drain base to be flush with the floor. Grade to create **MIN 1% slope** towards the drain.
3. Lay the waterproof membrane on whole shower pan. Cut a slit for the bolts to poke through, then cut away the waste hole in the center. Bond the membrane around the waste hole with waterproof silicone.
4. Install the coupling plate and fasten the bolts. Perform leak testing before moving on to the next step.
5. Push the drain outlet into the waste hole. Spread pea gravel or tile spacers around the drain base to protect the weep holes. Weep protector is also available.
6. Adjust drain body perpendicular to the slope direction, the top edge needs to be flush with the height of the tile surface. Then level the drain body.
7. Trowel mortar onto the membrane, build up the shower floor allowing for thickness of tile and adhesive, grade to create **MIN 1% slope** towards drain.
8. After the floor mortar has cured, install the floor tile with tile adhesive or thin set mortar, using notched trowel.
9. Fill the gap around the drain body with silicone bead or grout. Sweep off excess material.
10. Take away the dust cloth. Finalize the installation by laying the grate into the channel.

Installation Diagram

