

EMORY & BOND

JOB NAME: _____ SPECIFIER: _____ PCS: _____
 DATE REQUIRED: _____ NOTE: _____

EB-23045

- Vitreous china
- S-trap, 12" roughing-in
- 18 1/4" from seat bolt to front
- 15 1/2" height of bowl
- 1.1 / 1.6 gpf Syphonic Dual Flush
- Nominal Dimensions:
- 27" x 14 3/8" x 28 1/8"

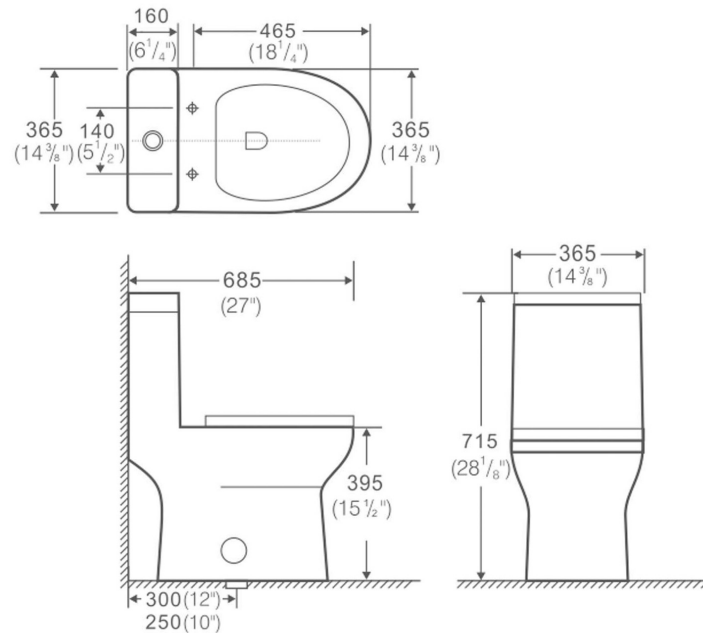
COLOR: WHITE

CODES & STANDARDS

Meets or exceeds the following:

- ASME A112.19.2-2013
- IAPMO/cUPC
- HET (High Efficiency Toilet)

EMORY & BOND EB23045 BELFORD SERIES TOILET



Dimensions may vary (+) or (-) 1/4". Dimensions shown in parentheses are in millimeters: 25.4 mm = 1 inch. Note: Fixture dimensions are nominal and conform with dimension and performance requirements of ASME A112.19.2-2013/CSA B45.1-13 standards. Emory & Bond is not responsible for the use of superceded or voided specification information.

www.emorybond.com

Customer Support:
 Call : (973)-482-4444
 e-mail: info@emoryandbond.com

