



JOB NAME: \_\_\_\_\_ SPECIFIER: \_\_\_\_\_ PCS: \_\_\_\_\_  
DATE REQUIRED: \_\_\_\_\_ NOTE: \_\_\_\_\_

## EB-23035

- Vitreous china
- S-trap, 12" roughing-in
- 18 3/8" from seat bolt to front
- 15 1/4" height of bowl
- 1.1/1.6 GPF Dual Flush Side Lever
- Low Profile Tank Cover
- Slow Close Seat
- Nominal Dimensions:
  - 27 3/4" x 16" x 26 1/2"

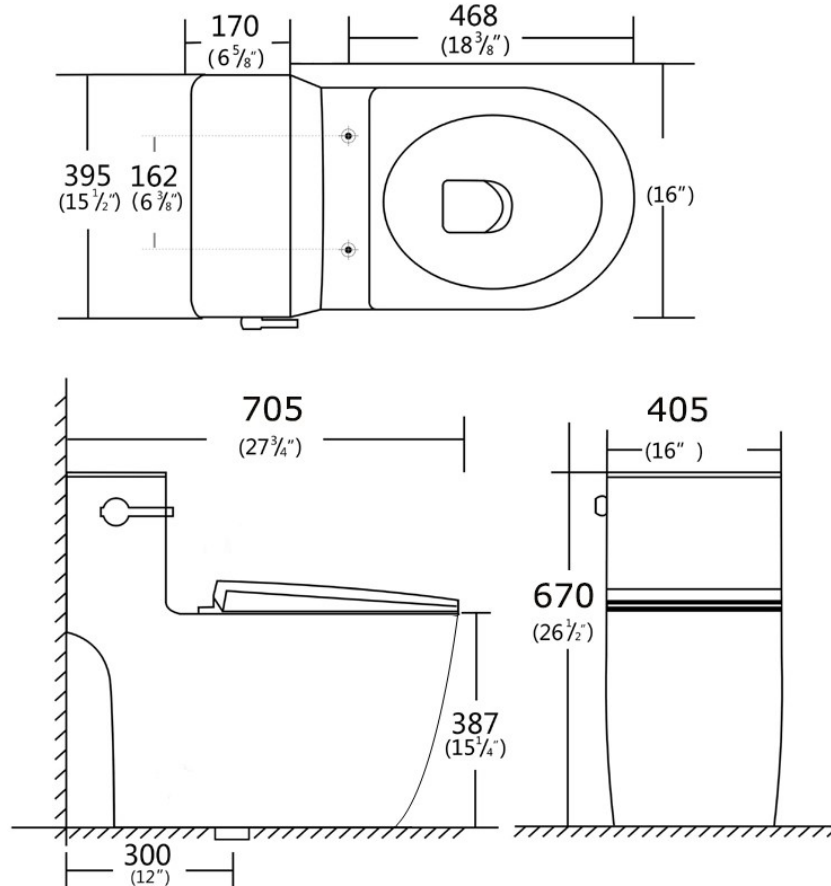
COLOR: WHITE

## CODES & STANDARDS

Meets or exceeds the following:

- ASME A112.19.2-2013
- IAPMO/cUPC
- HET (High Efficiency Toilet)
- EPA WaterSense

## TORNADO SIPHONIC ONE-PIECE TOILET



Dimensions may vary (+) or (-) 1/4". Dimensions shown in parentheses are in millimeters: 25.4 mm = 1 inch. Note: Fixture dimensions are nominal and conform with dimension and performance requirements of ASME A112.19.2-2013/CSA B45.1-13 standards. Emory & Bond is not responsible for the use of superceded or voided specification information.

[www.emorybond.com](http://www.emorybond.com)

**Customer Support:**  
Call : (973)-482-4444  
e-mail: [info@emoryandbond.com](mailto:info@emoryandbond.com)



@emoryandbond