



JOB NAME: _____ SPECIFIER: _____ PCS: _____
DATE REQUIRED: _____ NOTE: _____

23031

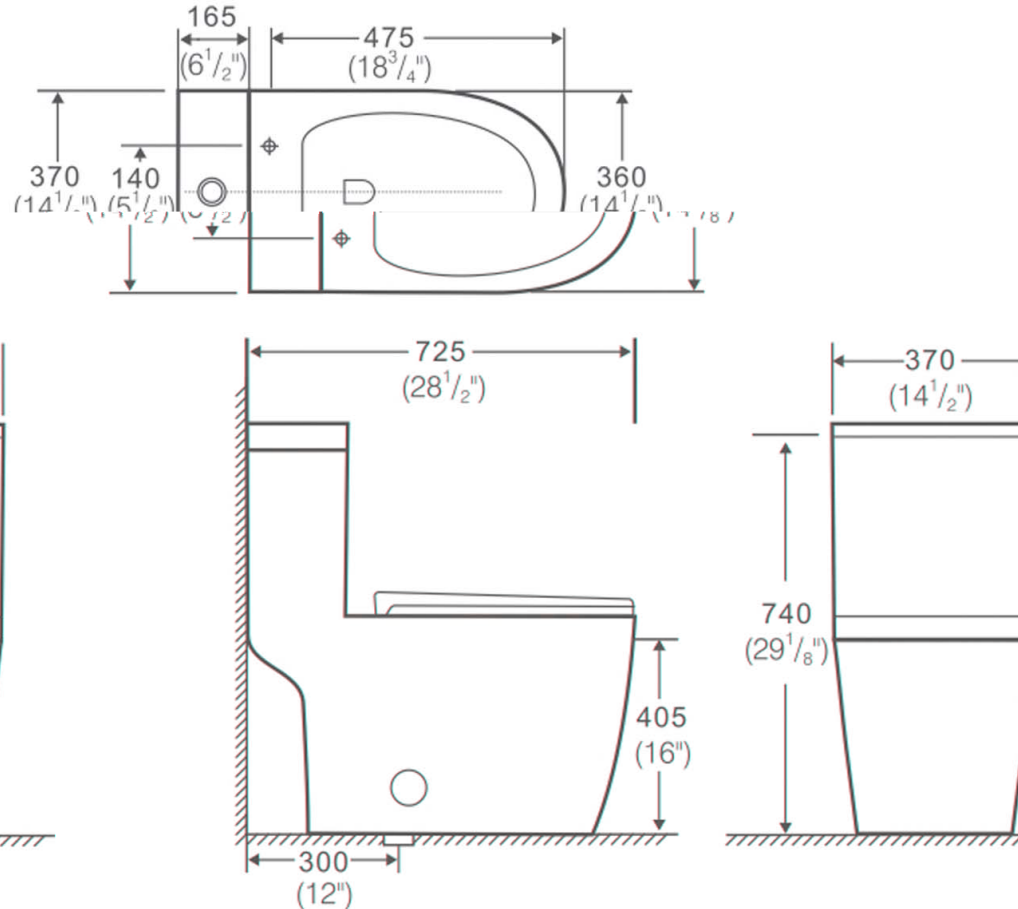
- Vitreous china
- S-trap, 12" roughing-in
- 18 3/4" from seat bolt to front
- 16" height of bowl
- 1.1/1.6 GPF Dual Flush Top Actuator
- Slow Close Seat
- Nominal Dimensions:
• 28 1/2" x 14 1/2" x 29 1/8"

COLOR: WHITE

CODES & STANDARDS

Meets or exceeds the following:

- ASME A112.19.2-2013
- IAPMO/cUPC
- HET (High Efficiency Toilet)
- EPA WaterSense
- ADA compliant



Dimensions may vary (+) or (-) 1/4". Dimensions shown in parentheses are in millimeters: 25.4 mm = 1 inch. Note: Fixture dimensions are nominal and conform with dimension and performance requirements of ASME A112.19.2-2013/CSA B45.1-13 standards. Emory & Bond is not responsible for the use of superseded or voided specification information.

www.emorybond.com

Customer Support:
Call : (973)-482-4444
e-mail: info@emoryandbond.com



@emoryandbond